
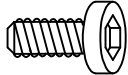


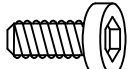
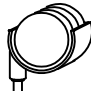
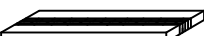
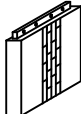
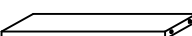

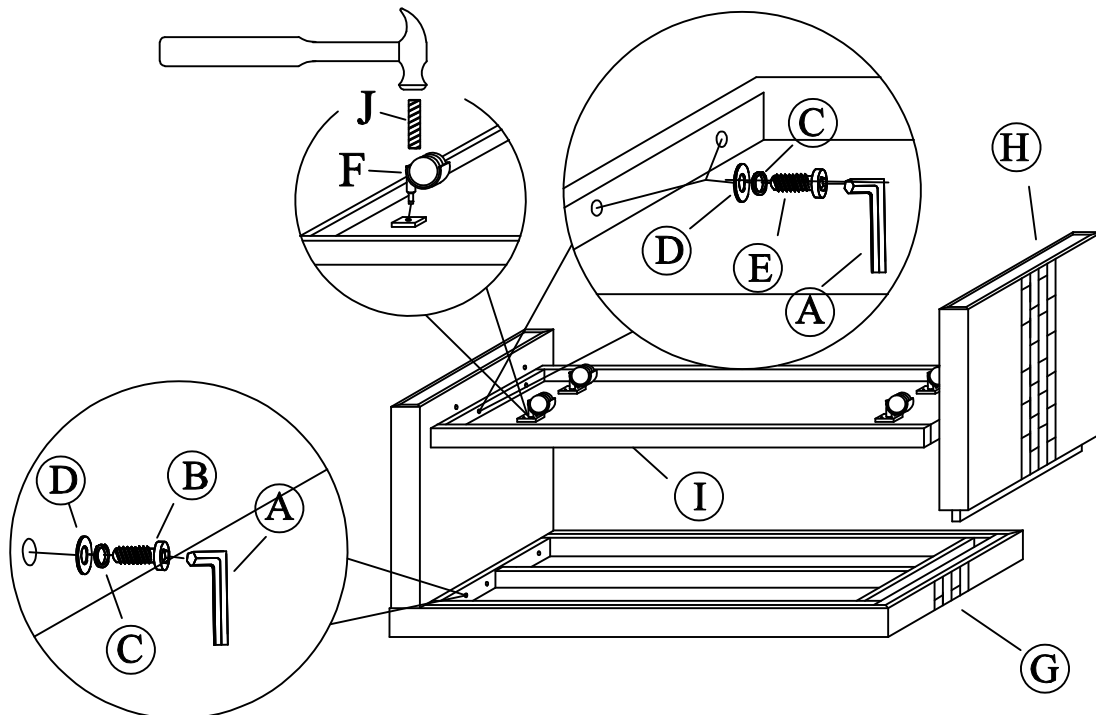


Components and Hardware List

<p>5mm Allen Wrench</p>  <p>(A) 1 pc.</p>	<p>M5/16" x 2" Allen Head Bolt</p>  <p>(B) 8 pcs.</p>	<p>5/16" Spring Washer</p>  <p>(C) 12 pcs.</p>	<p>5/16" x 3/4" Flat Washer</p>  <p>(D) 12 pcs.</p>		
<p>M5/16" x 1-1/2" Allen Head Bolt</p>  <p>(E) 4 pcs.</p>	<p>Dual Wheel Caster</p>  <p>(F) 4 pcs.</p>	<p>Top</p>  <p>(G) 1 pc.</p>	<p>Leg Panel</p>  <p>(H) 2 pcs.</p>	<p>Bottom Shelf</p>  <p>(I) 1 pc.</p>	<p>Wood Dowel</p>  <p>(J) 1 pc.</p>



1. Do not discard any packing materials until the table has been completely assembled, to prevent parts from being accidentally discarded. To prevent possible scratches or damages, assemble the table upside down on a soft surface such as a blanket or carpet, or it's own packaging materials.
2. Attach the Leg Panel (H) to the Table Top (G) using the 2" long Allen Head Bolts (B), Spring Washers (C), and Flat Washers (D). Do not fully tighten until after Step 4.
3. If the Casters (F) will be used, use the Wood Dowel (J) and your hammer to gently tap the stem of the Caster into the caster socket in the bottom of the Bottom Shelf.
4. Attach the Bottom Shelf (I) to the Leg Panels (H) using the 1-1/2" long Allen Head Bolts (E), Spring Washers (C), and Flat Washers (D). Tighten all Bolts using the Allen Wrench (A).
5. Carefully turn the Table upright.

This furniture is equipped with casters for convenient mobility. To prevent possible damage to flooring, never roll furniture with casters on unprotected hardwood or vinyl flooring.