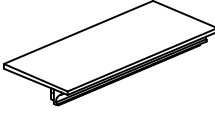



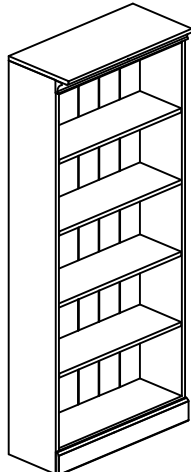
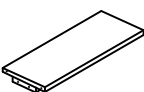
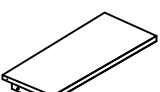
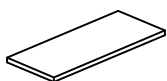
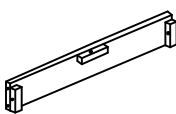
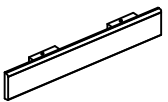



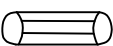


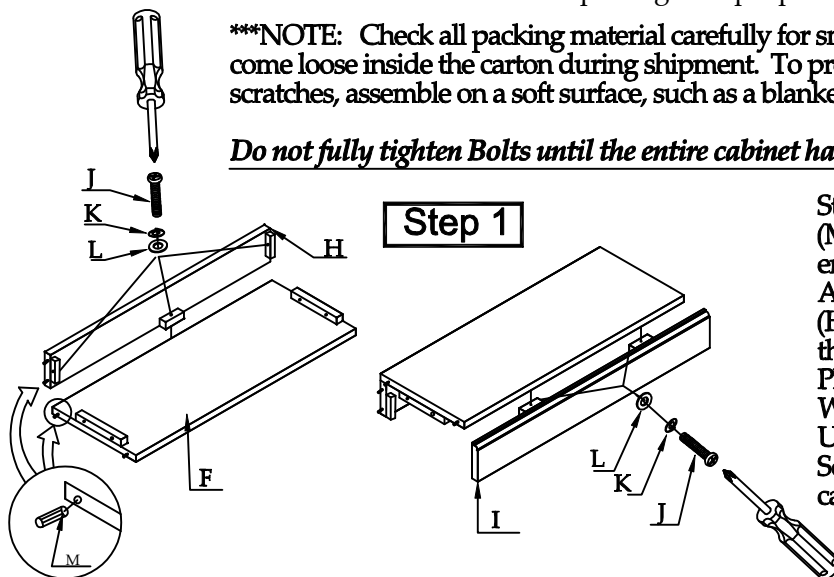


Components and Hardware List

Top Panel  (A) 1 pc.	Back Panel  (B) 2 pcs.	Left Side Panel  (C) 1 pc.	Right Side Panel  (D) 1 pc.		
Fixed Shelf  (E) 1 pc.	Bottom Panel  (F) 1 pc.	Adjustable Shelf  (G) 3 pcs.	Back Bottom Rail  (H) 1 pc.		
Front Bottom Rail  (I) 1 pc.	1/4" x 1-1/8" Phillips-Head Bolt  (J) 35 pcs.	1/4" Spring Washer  (K) 35 pcs.	1/4" Flat Washer  (L) 35 pcs.		Wood Dowel  (M) 16 pcs.
Shelf Pin  (N) 12 pcs.	Tippling Restraint  (O) 1 pc.	<p>If certain pieces of furniture are misused or abused, the possibility exists that they might tip over. Tip-over restraints, installed correctly, can help to reduce that risk. Please refer to the instructions printed on the furniture restraint package for proper installation instructions.</p>			

*****NOTE:** Check all packing material carefully for small parts which may have come loose inside the carton during shipment. To prevent damage or scratches, assemble on a soft surface, such as a blanket or carpet. ***

Do not fully tighten Bolts until the entire cabinet has been assembled

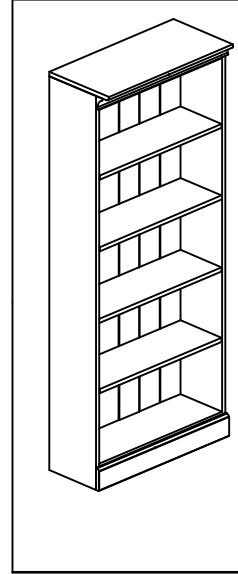
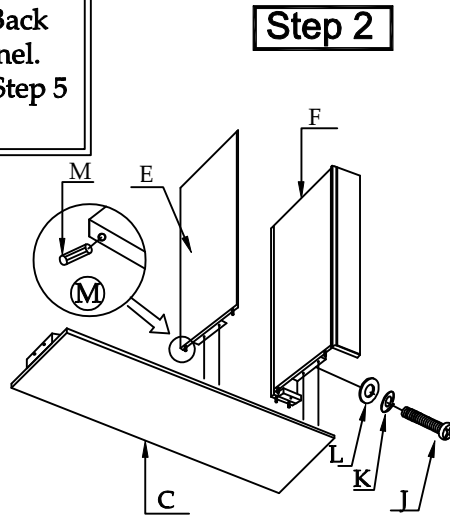


Step 1

Step 1: Insert the Wood Dowels (M) into the proper holes on the ends of the Back Bottom Rail (H). Assemble the Back Bottom Rail (H) and Front Bottom Rail (I) onto the Bottom Panel (F) with the Phillips-Head Bolts (J), Spring Washers (K) and Flat Washers (L). Use your Phillips-Head Screwdriver to tighten after cabinet is completely assembled.

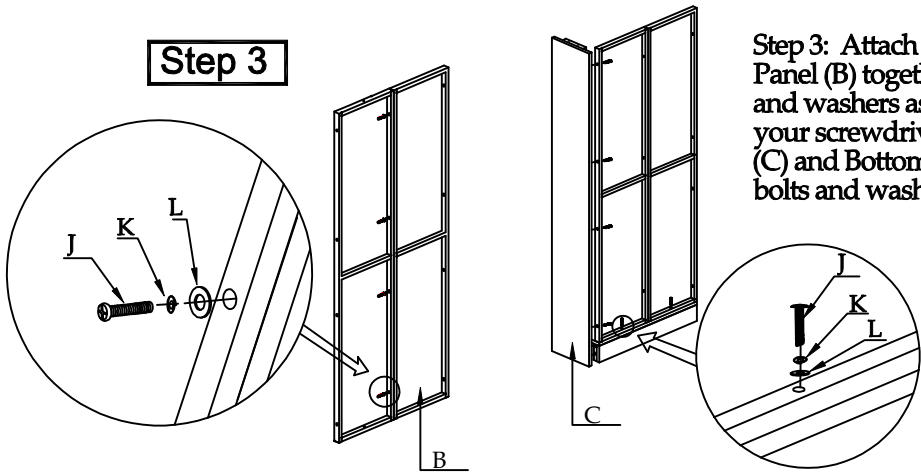
Note: To perform Steps 2 through 5, lay the Left Side Panel face down and assemble the Shelves, Bottom Panel, Back Panel, etc. and then the Right Side Panel. Do not reposition the bookcase until Step 5 has been completed.

Step 2: Insert the Wood Dowels (M) in the proper holes on the ends of the Bottom Panel and Fixed Shelf. Assemble the Bottom Panel (F), and the Fixed Shelf (E) onto the Left Side Panel (C). Fasten using the Phillips-Head Bolts, (J), Spring Washers (K) and Flat Washers (L).



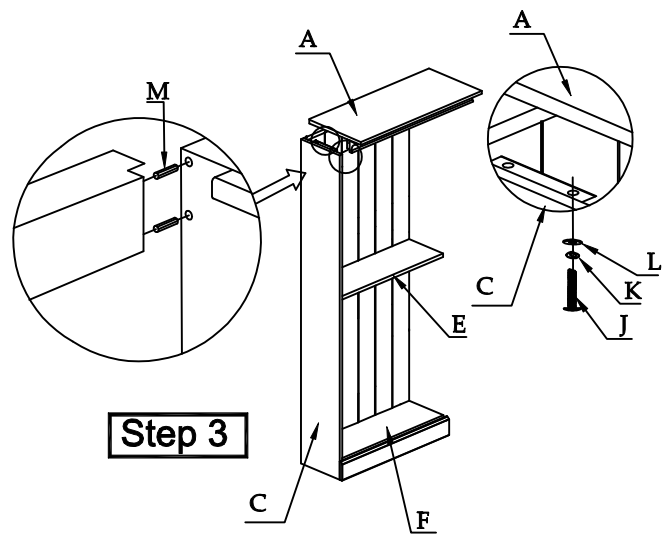
Step 2

Step 3

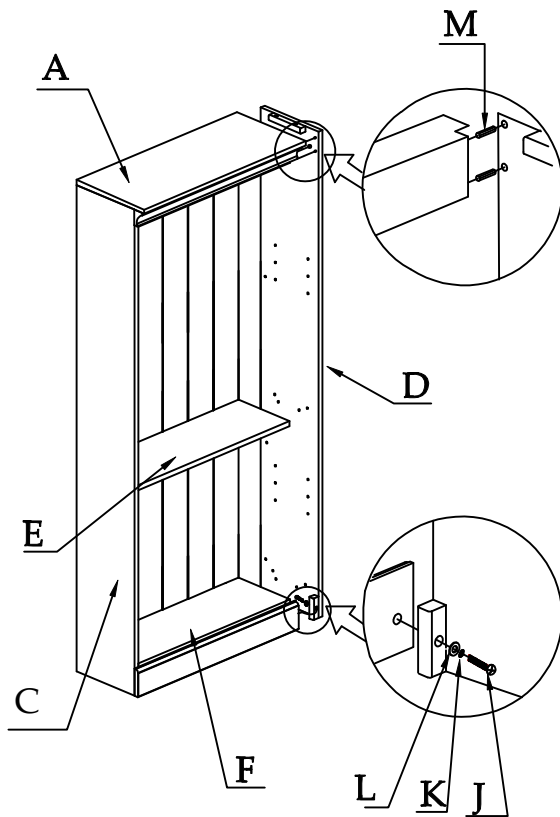


Step 3: Attach the two halves of the Back Panel (B) together first, using the same bolts and washers as before then tighten with your screwdriver. Assemble to End Panel (C) and Bottom Panel (F) using the same bolts and washers as before.

Step 4: Insert Dowels (M) into the proper holes on the ends of the molding under the Top panel (A) and assemble to the Left Side Panel (C). Then attached the Left End Panel (C) to the Top panel (A) using the same Bolts and Washers as before.



Step 3



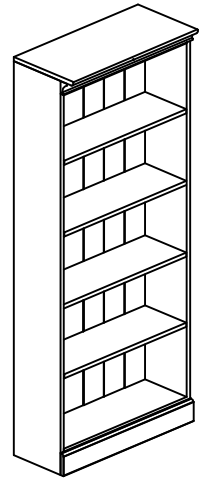
Step 5

Step 5: Attach the Right Side Panel (D) onto the parts previously assembled together. Fasten using the same bolts and washers as before.

Tighten all Bolts using your Phillips-Head Screwdriver.

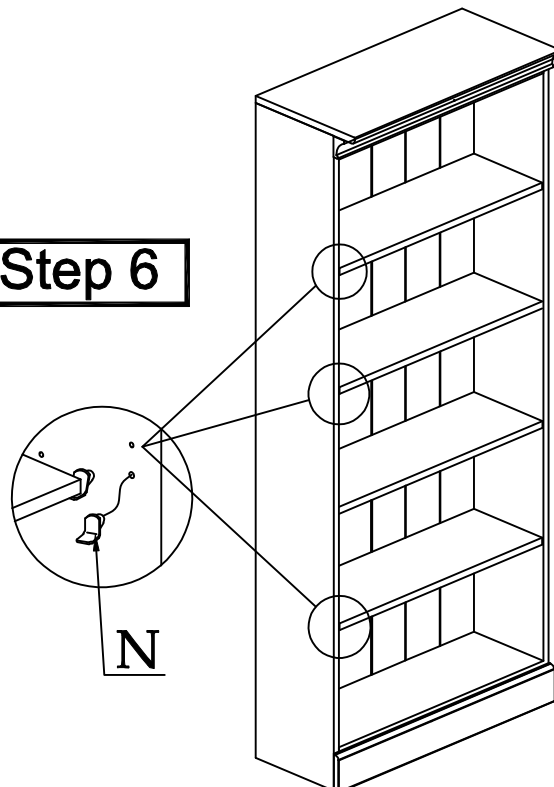
Check that all Bolts have been tightened.

Carefully stand the Bookcase upright.



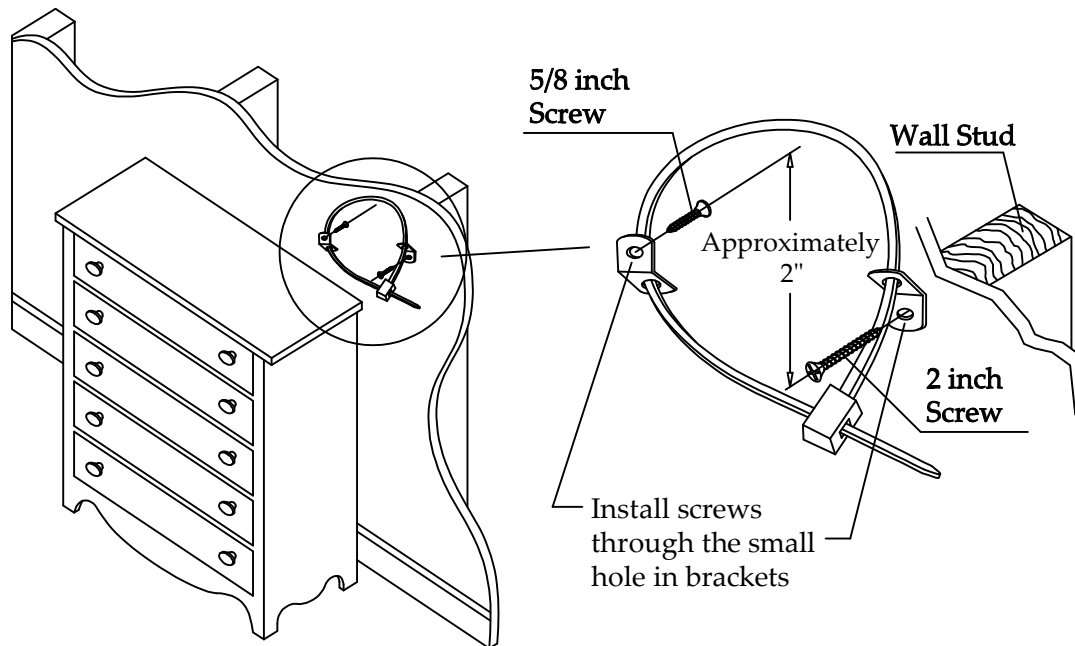
Step 6

Step 7: Insert the Shelf Pins (N) into the holes on the side panels at the desired levels. Carefully place the Adjustable Shelves (G) on the Shelf Pins.



Anti-Tip Hardware Installation Instructions

Notice: In homes where small children may be present, Riverside Furniture Corp. recommends that steps be taken for certain furniture items to prevent or minimize the risk of tip-over. This furniture is equipped with Tip-over Restraint Hardware for use to minimize this risk, if used. Please follow below installation steps. Riverside Furniture Corp. recommends that parents and guardians periodically visit the U.S. Consumer Product Safety Commission (CPSC) website at <http://www.cpsc.gov/> and stay up to date on all issues related to children's product safety.



1. Temporarily locate the furniture to near it's final location in the room next to a wall. Locate a wall stud behind your furniture and also mark the stud's location on the back of your furniture.
2. Firmly attach one bracket to the stud approximately 2" below the top of the furniture with the **2 inch long** Wood Screws provided. It may be necessary to drill 3/32 dia. pilot holes for the screws.
3. Firmly attach the other bracket onto a solid, structural part on the back of the furniture using the **5/8 inch long** Wood Screws. It may also be necessary to pilot bore for these screws.
4. Move the furniture into its final position, taking care to line up the wall bracket with the furniture bracket. Thread a strap through the bracket as shown in the illustration. Tighten strap until snug but do not over tighten.

Caution: Riverside Furniture Corp. assumes no liability for improper installation or excessive loads placed on screws, brackets or straps. Failure to detach this restraint before moving furniture may result in personal injury and property damage.

Warning: This tip-over restraint is not to be a substitute for proper adult supervision. Do not allow children to climb on furniture. Items left on top of the TV and furniture, such as toys, remote controls and treats might tempt young children to climb. Push the TV as far back as possible from the front of its stand. Place electrical cords out of a child's reach, and teach children not to play with the cords.