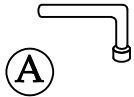


Components and Hardware List

Socket Wrench

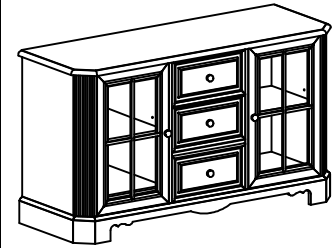


1 pc.

Anti-Tipping Restraint



2 pcs.



41029 & 41229
60 Inch TV Console

If certain pieces of furniture are misused or abused, the possibility exists that they might tip over. Tip-over restraints, installed correctly, can help to reduce that risk if used. Please refer to the instructions printed on the furniture restraint package, and the following page for proper installation instructions.

Step 1:

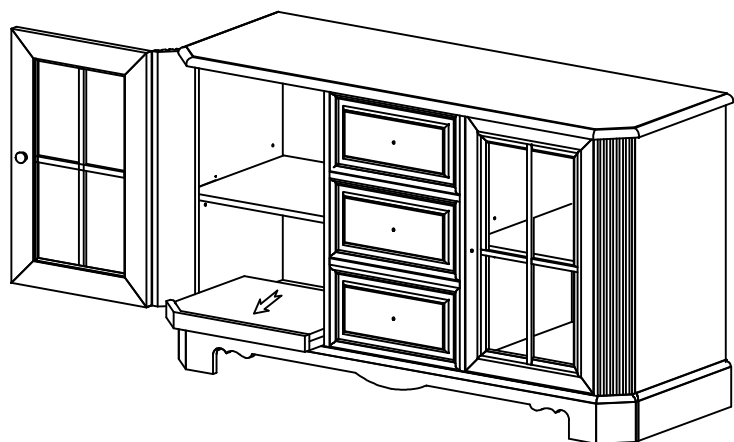
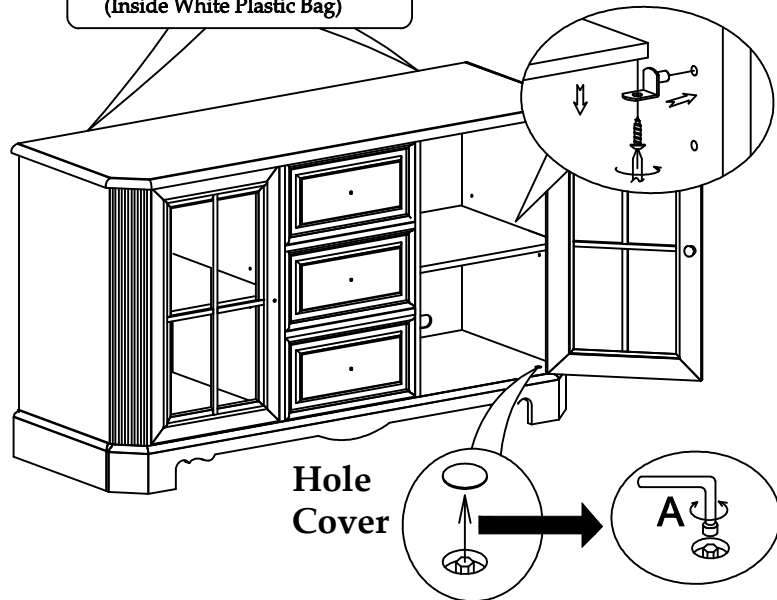
The adjustable shelves are fastened inside cabinet for shipping. To move the shelf to another position, using your Phillips screwdriver, remove the screws going through the shelf pins underneath, move the shelf pins to the desired level and place the adjustable shelf back onto the pins. It is not necessary to reinstall the screws.

Step 2:

If required, the Console can be adjusted with the levelers located underneath cabinet to compensate for uneven flooring if necessary. Remove the hole covers in the bottom panel, place the Socket Wrench onto the top of the leveler and turn clock-wise to raise or counter-clockwise to lower cabinet. Lifting the corner of the cabinet being adjusted slightly will allow the leveler to be more easily adjusted.

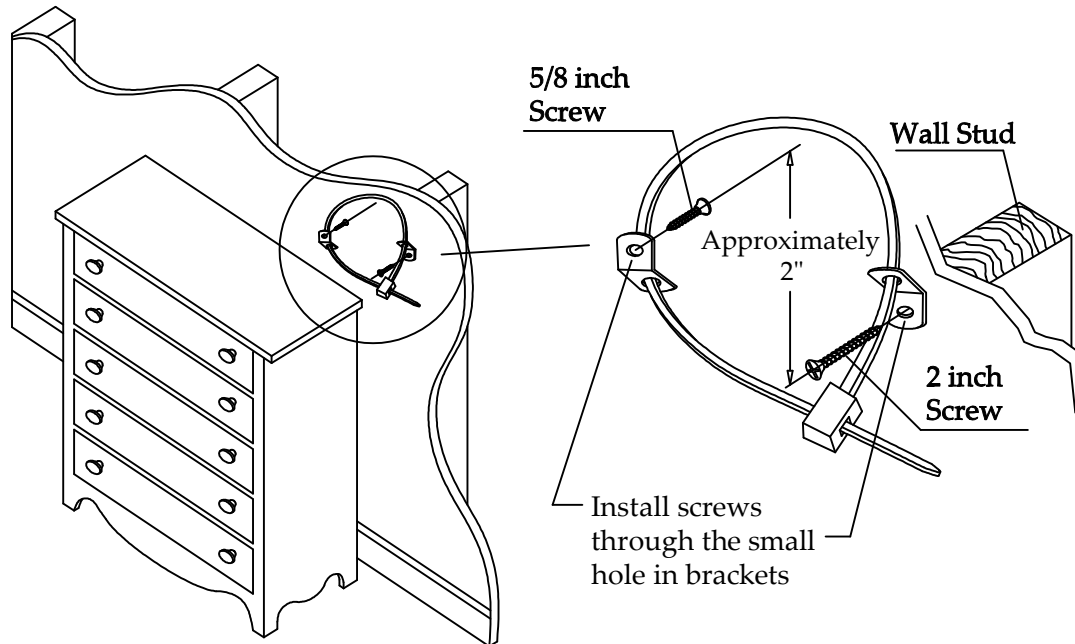
Step3:

The wood knobs are fastened inside the doors and drawers for shipment. Carefully unscrew the knobs and re-install them to the outside, using your Phillips screwdriver.



Anti-Tip Hardware Installation Instructions

Notice: In homes where small children may be present, Riverside Furniture Corp. recommends that steps be taken for certain furniture items to prevent or minimize the risk of tip-over. This furniture is equipped with Tip-over Restraint Hardware for use to minimize this risk, if used. Please follow below installation steps. Riverside Furniture Corp. recommends that parents and guardians periodically visit the U.S. Consumer Product Safety Commission (CPSC) website at <http://www.cpsc.gov/> and stay up to date on all issues related to children's product safety.



1. Temporarily locate the furniture to near it's final location in the room next to a wall. Locate a wall stud behind your furniture and also mark the stud's location on the back of your furniture.
2. Firmly attach one bracket to the stud approximately 2" below the top of the furniture with the **2 inch long** Wood Screws provided. It may be necessary to drill 3/32 dia. pilot holes for the screws.
3. Firmly attach the other bracket onto a solid, structural part on the back of the furniture using the **5/8 inch long** Wood Screws. It may also be necessary to pilot bore for these screws.
4. Move the furniture into its final position, taking care to line up the wall bracket with the furniture bracket. Thread a strap through the bracket as shown in the illustration. Tighten strap until snug but do not over tighten.

Caution: Riverside Furniture Corp. assumes no liability for improper installation or excessive loads placed on screws, brackets or straps. Failure to detach this restraint before moving furniture may result in personal injury and property damage.

Warning: This tip-over restraint is not to be a substitute for proper adult supervision. Do not allow children to climb on furniture. Items left on top of the TV and furniture, such as toys, remote controls and treats might tempt young children to climb. Push the TV as far back as possible from the front of its stand. Place electrical cords out of a child's reach, and teach children not to play with the cords.