
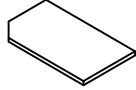



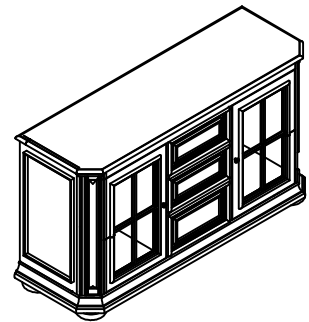


## Components and Hardware List

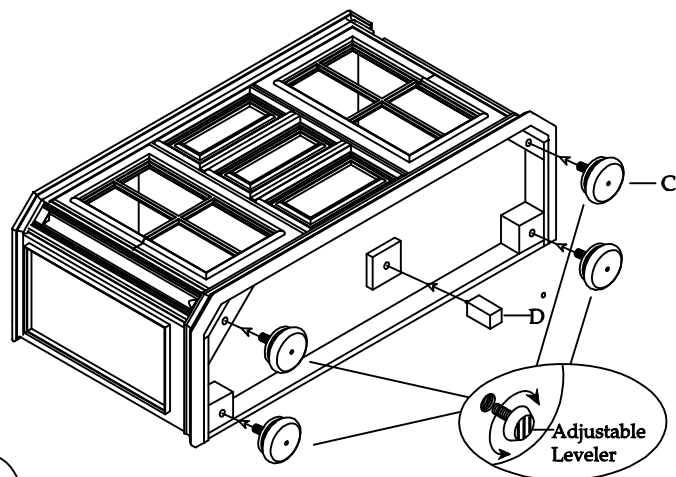
<p>Shelf Pin</p>  <p><b>(A)</b> 8 pcs.</p>	<p>Wood Shelf</p>  <p><b>(B)</b> 2 pcs.</p>	<p>Bun Foot W/ Leveler</p>  <p><b>(C)</b> 4 pcs.</p>	<p>Middle Leg W/ Leveler</p>  <p><b>(D)</b> 1 pc.</p>
<p>Tipping Restraint</p>  <p><b>(E)</b> 2 Sets</p>			



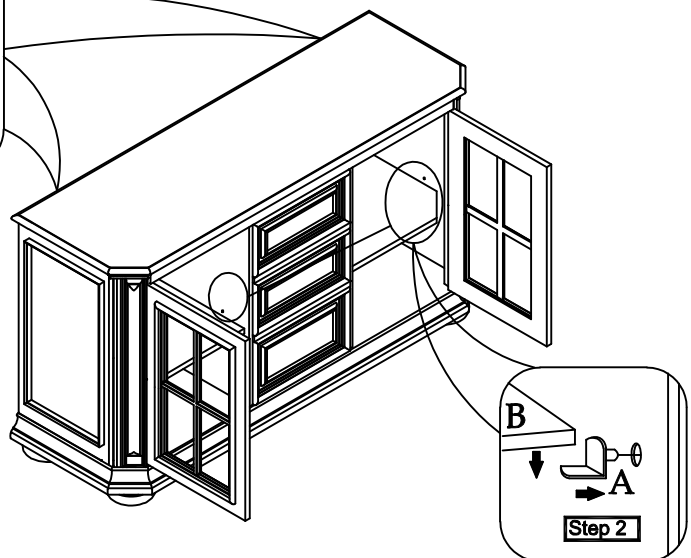
4929 / 8929  
60" High Waist TV Console

**Step 1:** Place the Console on it's back on a clean, soft surface such as a blanket or carpet. Assemble the four Bun Feet (C) and Middle Leg (D) onto the bottom. Carefully set the unit upright.

**Step 2:** Open the door, insert Shelf pins (A) into holes in side panels at the desired locations, then place Wood Shelf (B) on the Shelf pins.

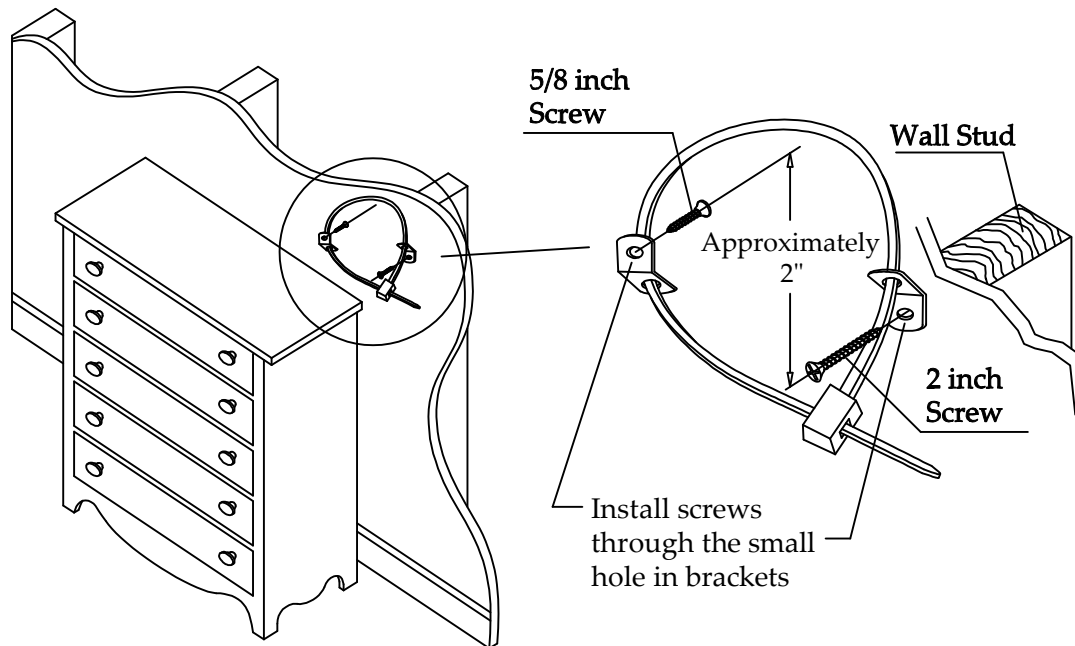


If certain pieces of furniture are misused or abused, the possibility exists that they might tip over. Tip-over restraints, installed correctly, can help to reduce that risk. Please refer to the instructions on the next page for proper installation instructions.



## Anti-Tip Hardware Installation Instructions

Notice: In homes where small children may be present, Riverside Furniture Corp. recommends that steps be taken for certain furniture items to prevent or minimize the risk of tip-over. This furniture is equipped with Tip-over Restraint Hardware for use to minimize this risk, if used. Please follow below installation steps. Riverside Furniture Corp. recommends that parents and guardians periodically visit the U.S. Consumer Product Safety Commission (CPSC) website at <http://www.cpsc.gov/> and stay up to date on all issues related to children's product safety.



1. Temporarily locate the furniture to near it's final location in the room next to a wall. Locate a wall stud behind your furniture and also mark the stud's location on the back of your furniture.
2. Firmly attach one bracket to the stud approximately 2" below the top of the furniture with the **2 inch long** Wood Screws provided. It may be necessary to drill 3/32 dia. pilot holes for the screws.
3. Firmly attach the other bracket onto a solid, structural part on the back of the furniture using the **5/8 inch long** Wood Screws. It may also be necessary to pilot bore for these screws.
4. Move the furniture into its final position, taking care to line up the wall bracket with the furniture bracket. Thread a strap through the bracket as shown in the illustration. Tighten strap until snug but do not over tighten.

**Caution:** Riverside Furniture Corp. assumes no liability for improper installation or excessive loads placed on screws, brackets or straps. Failure to detach this restraint before moving furniture may result in personal injury and property damage.

**Warning:** This tip-over restraint is not to be a substitute for proper adult supervision. Do not allow children to climb on furniture. Items left on top of the TV and furniture, such as toys, remote controls and treats might tempt young children to climb. Push the TV as far back as possible from the front of its stand. Place electrical cords out of a child's reach, and teach children not to play with the cords.