



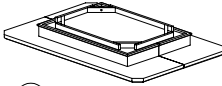
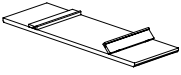
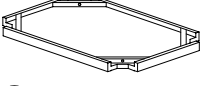

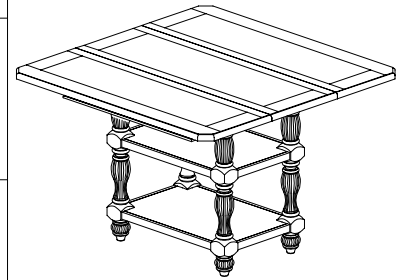


Components and Hardware List

$M\frac{5}{16}$ " x 2" Allen Head Bolt  (A) 12 pcs.	$M\frac{5}{16}$ " Flat Washer  (B) 12 pcs.	$M\frac{5}{16}$ " Spring Washer  (C) 12 pcs.	5mm Allen Wrench  (D) 1 pc.
Table Top  (E) 1 pc.	Table Top Leaf  (F) 1 pc.	Shelf  (G) 2 pcs.	Leg  (H) 4 pcs.



Counter Height Dining Table
Item #32554 & #32454

Be sure to check all packing material carefully for small parts, which may have come loose inside the carton during shipment. To prevent scratches or damage, assemble the table on a soft surface such as a blanket or carpet.

ASSEMBLY STEPS:

- Carefully place the Table Top upside down on a clean, soft surface such as a blanket or carpet.
- Attach three Legs (H) into the corners of the Table Top (E) as shown, using the 2" Allen Head Bolts (A), Spring Washers (C) and Flat Washers (B). Do not fully tighten Bolts until Step 5.
- Position a Shelf (G) into the notches of the three Legs attached and attach using the same Bolts and Washers as in previous step. Do not fully tighten Bolts. Repeat for other Shelf.
- Position and attach the fourth Leg using the same Bolts and Washers as in previous steps.
- Tighten all Bolts using the Allen Wrench (D).
- Using two people, carefully set the assembled Table upright.

There are levelers installed in the bottom of the Legs which can be adjusted to compensate for uneven flooring, if necessary.

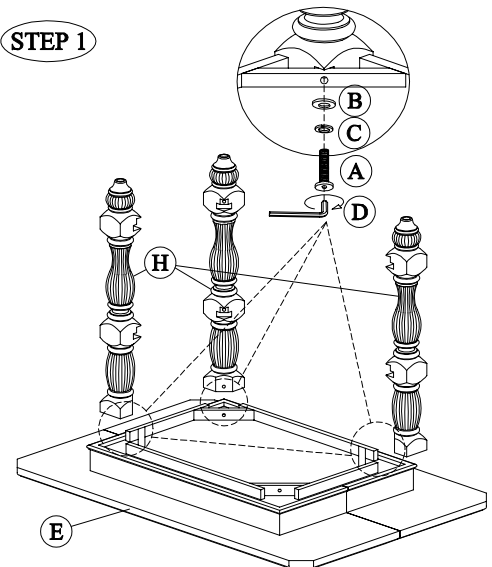
To install the Leaf, reach underneath the Table Top and unlock the two top Latches.

Using two people, pull both halves of the Table Top fully open.

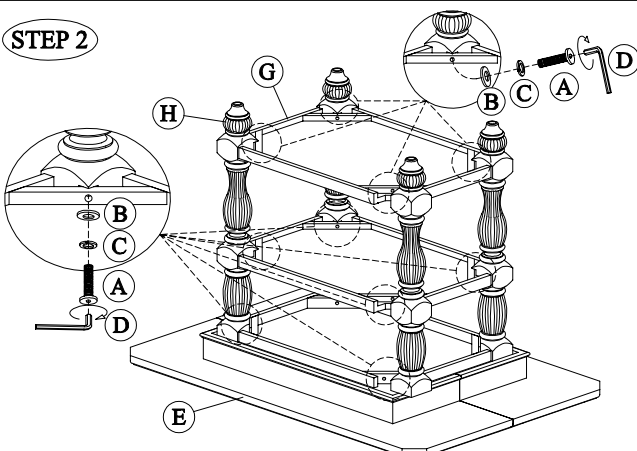
Position the Leaf between the top halves, aligning the pins with the holes on the edge of the Table Top and Leaf.

Push both halves of the Table Top back together, reach underneath the Table Top and re-lock the Latches.

STEP 1



STEP 2



STEP 3

