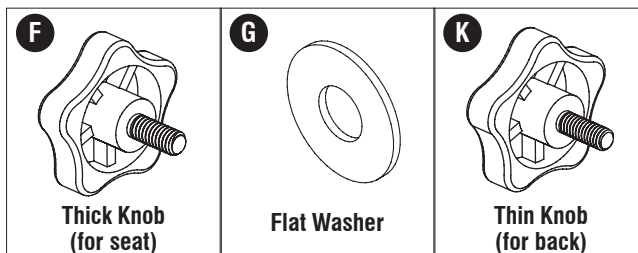


### ASSEMBLY INSTRUCTIONS

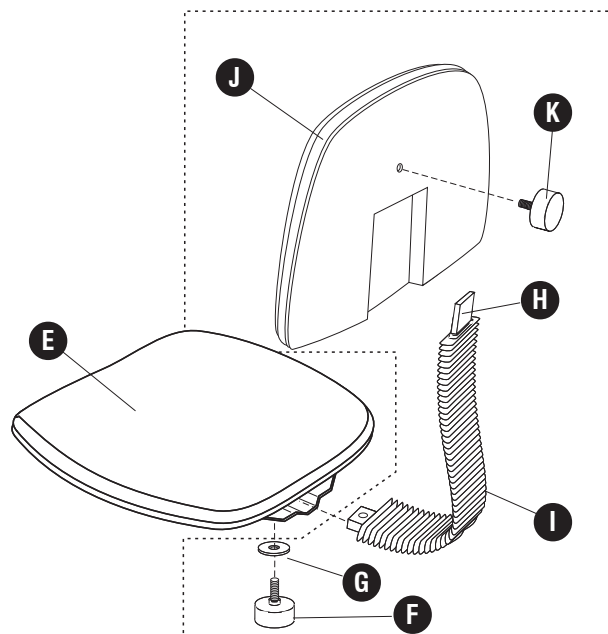
READ THESE INSTRUCTIONS BEFORE STARTING! FOLLOW THE ASSEMBLY PROCEDURES CAREFULLY

PRODUCT WARRANTY REGISTRATION is available online at: [www.safcoproducts.com](http://www.safcoproducts.com)

PARTS LIST			
CODE	DESCRIPTION	QTY.	PART NO.
(A)	Base	1	3400-54
(B)	Casters	5	3400-75
(C)	Pump Assembly	1	5102-11
(D)	Pump Dust Cover (3-piece)	1	3450-14
(E)	Seat Assembly	1	3400-51
(F)	Thick Knob	1	3400-73
(G)	Flat Washer	1	3400-71
(H)	Back Support Bar	1	3400-63
(I)	Back Bellows	1	3400-64
(J)	Cushioned Backrest	1	3400-55
(K)	Thin Knob	1	3400-72



- Turn the Base (A) upside down and insert the five Casters (B) into the ends of the Base spokes. Turn the Base right side up.
- Insert the Pump Assembly (C) into the base, tapered end down. Secure the Pump Assembly by applying a little downward pressure. **DO NOT PUSH ON BUTTON AT THE TOP!** Remove yellow protective cap.
- Slide the Pump Dust Cover (D) over the Pump Assembly. Place the Seat Assembly (E) onto the Pump Assembly. Press down firmly (or sit) to lock into place.
- Remove the Thick Knob (F) and the Flat Washer (G) from the bottom end of the Back Support Bar (H).
- Insert the Back Support Bar (H) (with Back Bellows (I) and Cushioned Backrest (J) pre-assembled) into the slotted end of the seat cushion's seatplate.
- Place the Flat Washer (G) onto the threads of the Thick Knob (F). Screw the Knob down tightly at about the middle of the slot.



PARTS SHOWN IN BOX ARE PRE-ASSEMBLED

### 7 Adjust the chair:

#### 1. Adjust height of chair:

- Keep feet flat on the floor.
- Use lever on right side to adjust height so you feel NO pressure under the back of your thighs.

#### 2. Adjust depth of backrest:

- Sit deep into the chair.
- Turn the bottom knob (Thick Knob, F) to position the support bar to your comfort level.
- Tighten knob to fix the support bar in place.

#### 3. Adjust height of backrest:

- Sit deep into the chair.
- Turn the back knob (Thin Knob, K) to position the backrest to your comfort level.
- Tighten knob to fix the backrest in place.

