

an LDI Company

New Hope, MN 55428

Visit us on the web:

www.safcoproducts.com

ASSEMBLY INSTRUCTIONS

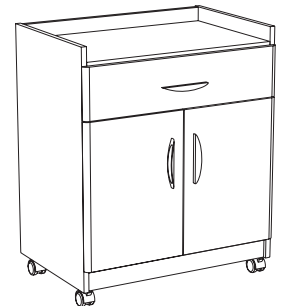
TOOLS REQUIRED: Short Handled Phillips Screwdriver; Hammer or Mallet (Two People Recommended)

PRODUCT WARRANTY REGISTRATION is available online at: www.safcoproducts.com

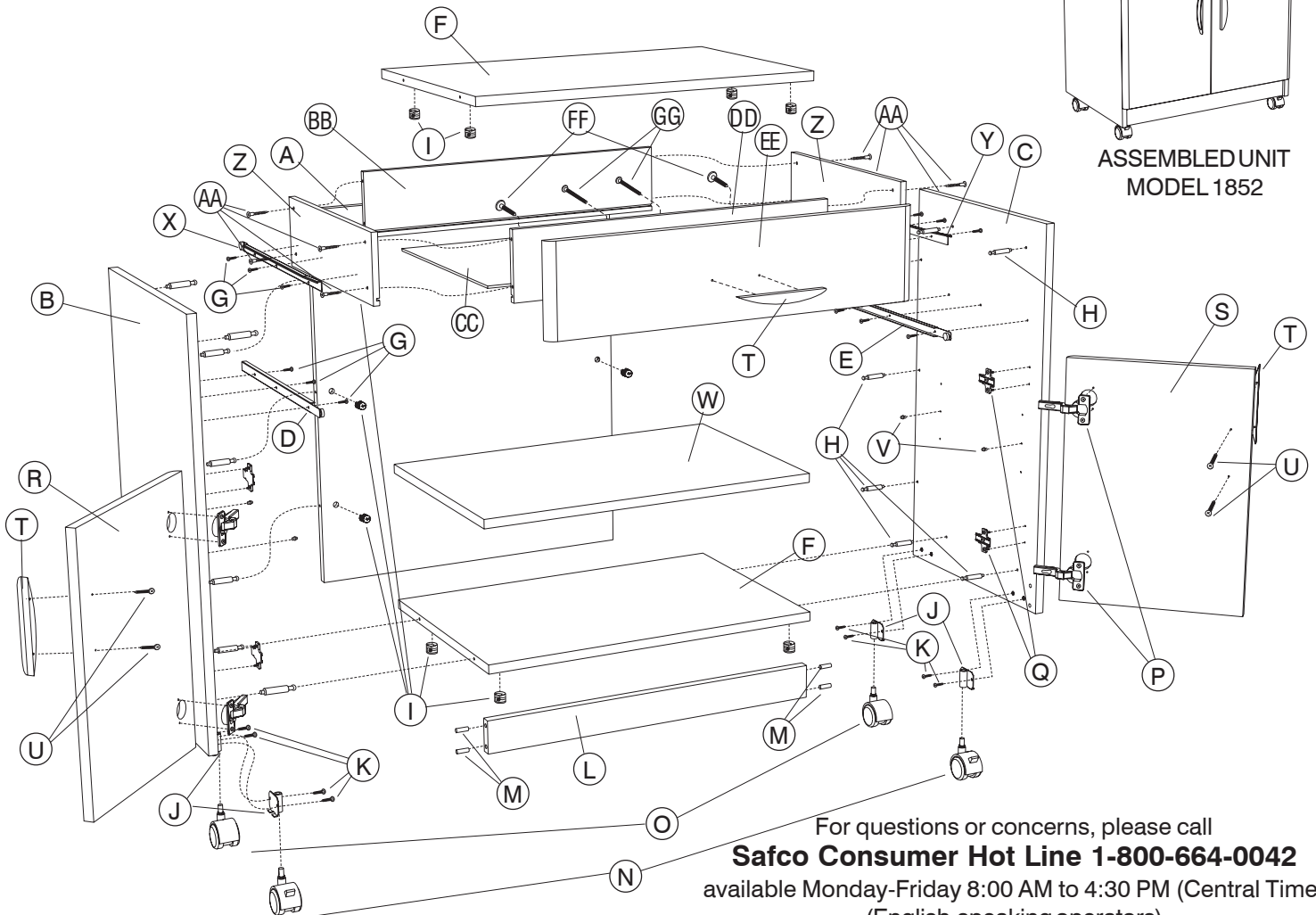
PARTS LIST

LETTER CODE	DESCRIPTION	QTY.	PART NO.	LETTER CODE	DESCRIPTION	QTY.	PART NO.	LETTER CODE	DESCRIPTION	QTY.	PART NO.
A	Back Panel	1	1852-01§	L	Kick Panel	1	1852-07§	W	Adjustable Shelf	1	1852-06§
B	Left Side Panel	1	1852-03§	M	Wood Dowel	4	H8MMDWL	X	Left Drawer Rail	1	8962-17
C	Right Side Panel	1	1852-04§	N	Caster with Brake	2	8917-24	Y	Right Drawer Rail	1	8962-18
D	Left Cabinet Rail	1	1905-15	O	Caster without Brake	2	8917-25	Z	Drawer Side	2	1852-20
E	Right Cabinet Rail	1	1905-16	P	Hinge (may be with Plate, Q)	4	8919-16	AA	Drawer Screw	8	8962-27
F	Top/Bottom Panel	2	1852-05§	Q	Hinge Mount Plate	4	8919-14	BB	Drawer Back	1	1852-13
G	1/2" Flat-head Screw	12	3695-28	R	Left Door Panel	1	1852-08§	CC	Drawer Bottom	1	1852-22
H	Screw Post	14	HFFMFB	S	Right Door Panel	1	1852-09§	DD	Inner Drawer Front	1	1852-12
I	Cam	14	HFFMFC	T	Handle	3	8962-31	EE	Outer Drawer Front	1	1852-11§
J	Caster Bracket	4	1854-10	U	1" Screw	4	1850-23	FF	7/8" Washer Head Screw	2	1910-23
K	5/8" Machine Screw	8	1850-22	V	Shelf Peg	4	HSFBNZ	GG	1-1/2" Screw	2	8962-26

§ **Note:** When corresponding about parts, be sure to state color: Gray (GR), Mahogany (MH) or Medium Oak (MO).



ASSEMBLED UNIT
MODEL 1852



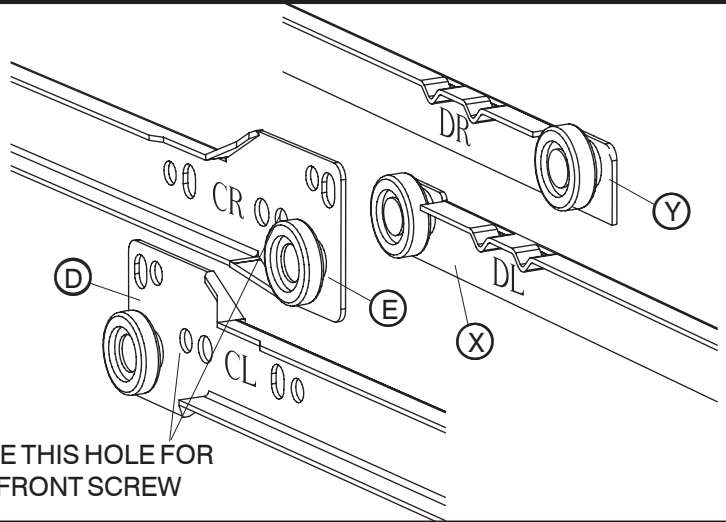
For questions or concerns, please call
Safco Consumer Hot Line 1-800-664-0042
 available Monday-Friday 8:00 AM to 4:30 PM (Central Time)
 (English-speaking operators)

1 Properly identify the four types of rails used!

The Cabinet Rails D, E have C-shaped cross-sections; rollers are at the FRONT, and the Left Cabinet Rail is stamped "CL" near the roller, while the Right Cabinet Rail is stamped "CR".

The Drawer Rails X, Y have L-shaped cross-sections; rollers are at the BACK, and they are stamped "DR" for Right and "DL" for Left.

USE THIS HOLE FOR
FRONT SCREW



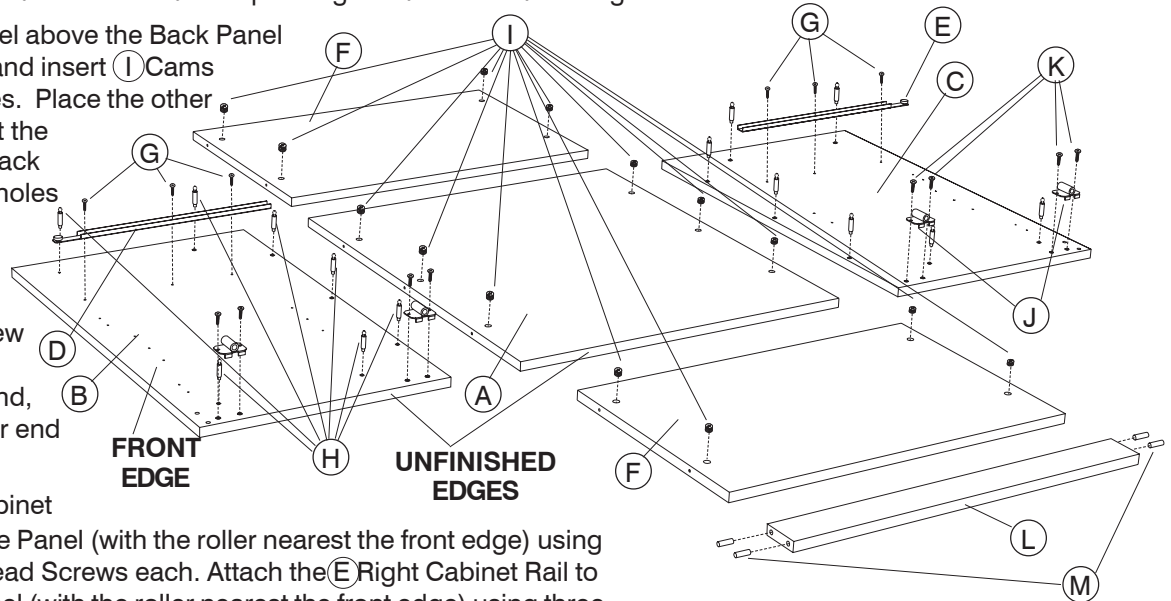
2 Work on a smooth and clean surface. Arrange the (A) Back Panel, (B) Left Side Panel and (C) Right Side Panel with the holes facing up as shown. Insert six (I) Cams into the Back Panel with the arrows pointing toward the nearest edges.

Place the (F) Top Panel above the Back Panel with large holes up and insert (I) Cams in the four large holes. Place the other (I) Cams at the bottom end of the Back Panel with the large holes upward and insert (I) Cams in the four large holes.

Screw seven (H) Screw Posts into the small holes at the upper end, back edge and lower end of both Side Panels.

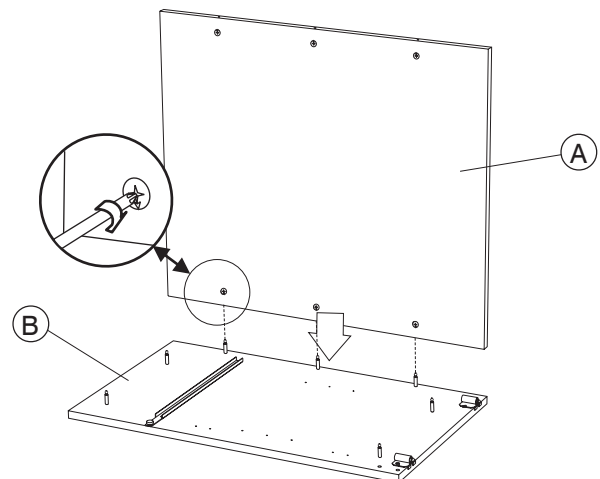
Attach the (D) Left Cabinet Rail to the (B) Left Side Panel (with the roller nearest the front edge) using three (G) 1/2" Flat-head Screws each. Attach the (E) Right Cabinet Rail to the (C) Right Side Panel (with the roller nearest the front edge) using three (G) 1/2" Flat-head Screws each. Fasten two (J) Caster Brackets to the holes near the bottom end (unfinished edge; with plastic inserts) of each side panel using two (K) 5/8" Machine Screws each.

Insert two (M) Wood Dowels into the both ends of the (L) Kick Panel.



3 Raise the (A) Back Panel so it is perpendicular to the (B) Left Side Panel. Align the three Screw Posts at the back edge of the Side Panel with the corresponding holes on the Back Panel. With the arrows on the Cams pointing toward the Screw Posts, guide the holes over the posts and fasten by turning each of these cams CLOCKWISE as far as they can turn.

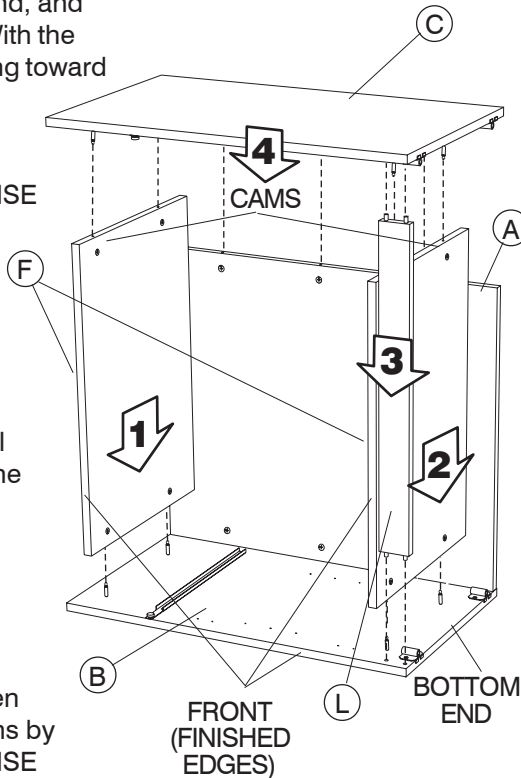
IMPORTANT: a second person should help support the back panel in its upright position (or prop upright with appropriate materials).



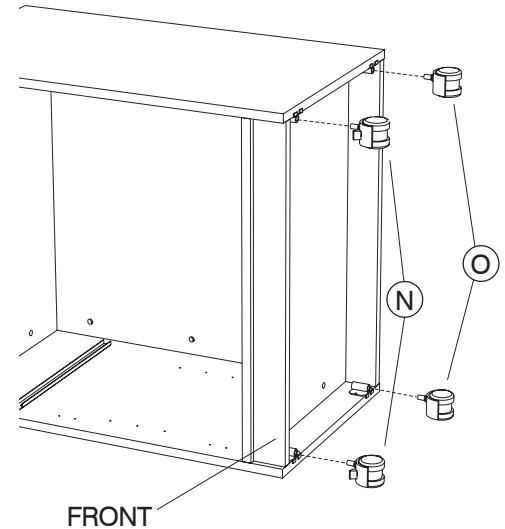
- 4** Position the **(F)** Top/Bottom Panels over the **(B)** Left Side Panel with the cams toward the bottom end, and finished edge facing out. With the arrows on the Cams pointing toward the Posts, insert the holes over the Posts and fasten the posts to the cams by turning the cams **CLOCKWISE** until they stop.

Insert one dowelled end of the **(L)** Kick Panel into the Left Side Panel in the holes nearest the front, bottom end of the side panel.

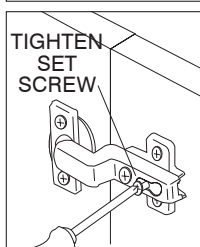
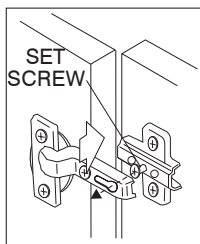
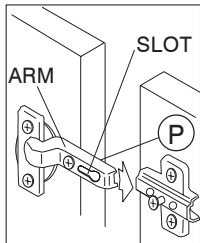
Lift the **(C)** Right Side Panel over the assembly. Align the Screw Posts with the corresponding holes on the Back Panel, and both Top/Bottom Panels (also guide the Wood Dowels on the Kick Panel into the holes in the side panel), then fasten the posts to the cams by turning the cams **CLOCKWISE** until they stop.



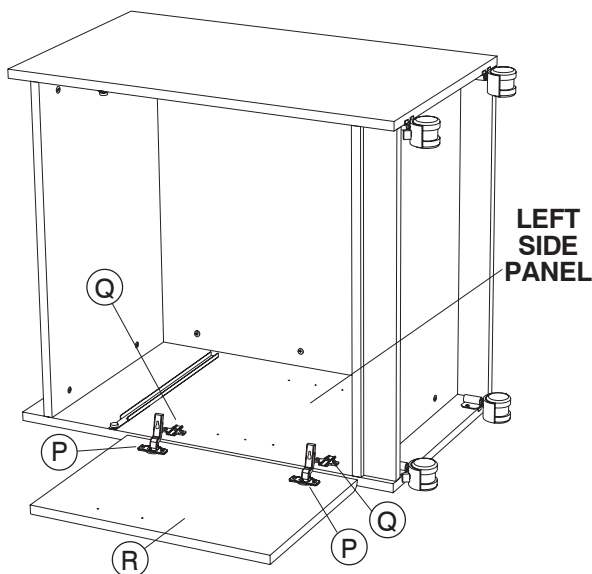
- 5** Push the two **(N)** Casters with Brakes into the sockets of the Caster Brackets at the front of the unit. Push the two **(O)** Casters without Brakes into the Caster Brackets near the back side of the unit.



- 6** Use a rubber hammer or mallet to tap the **(P)** Hinges into the recesses on the **(R)** Left Door Panel. Use the pre-installed screws to fasten the **(Q)** Hinge Mount Plates into the pre-drilled holes on the Left Side Panel. If the Hinge and Mount came in separate pieces, bend the arms of the Hinges and insert the slots of the arms over the Hinge Mount Plate set screws. Adjust door position and tighten the set screws. Turn the unit onto its right side, and repeat with the **(S)** Right Door Panel.

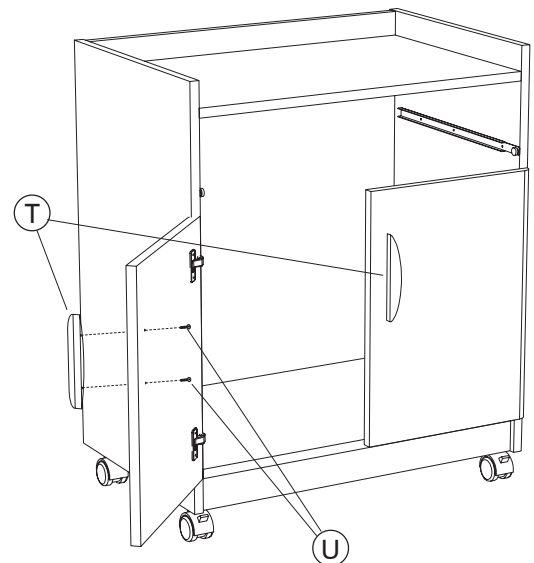


(S) RIGHT DOOR PANEL NOT SHOWN

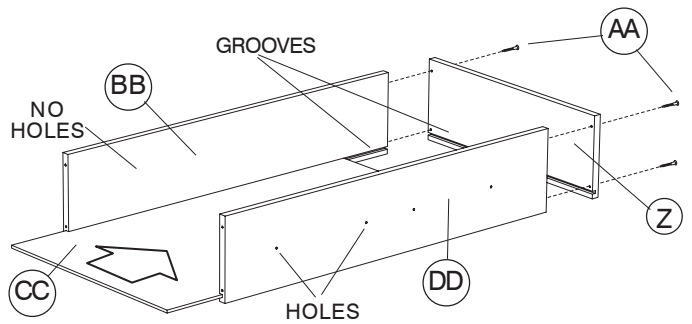


- 7** With two people, carefully stand the unit upright. Fasten one **(T)** Handle to the outer side of the Left Door Panel using two **(U)** Long Screws. Fasten the other Door Handle to the outer side of the Right Door Panel with two more Long Screws.

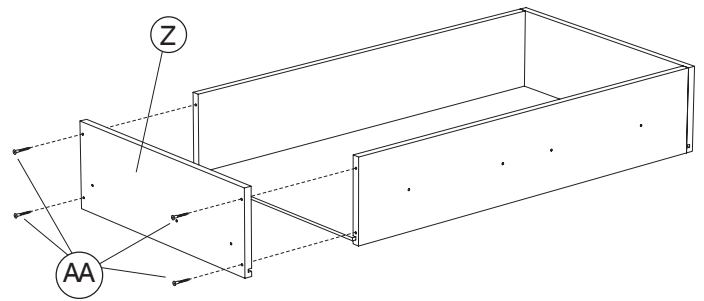
If necessary, center the Door Panels by adjusting the set screws on the Door Hinges as needed.



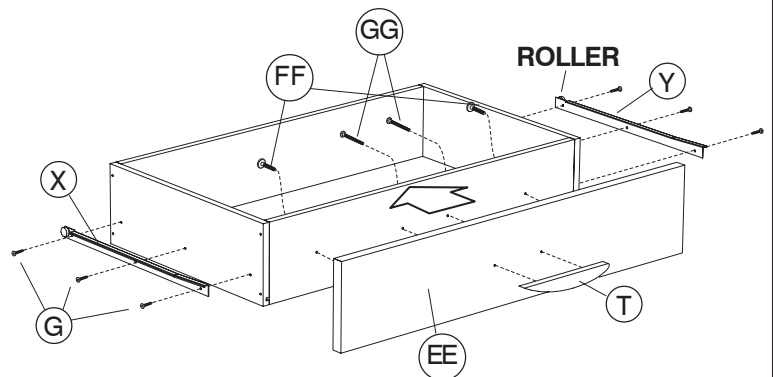
- 8** With the special (AA) Drawer Screws, fasten one of the (Z) Drawer Sides to the (BB) Drawer Back and the (DD) Inner Drawer Front, making sure all grooves face the drawer center. Carefully slide the (CC) Drawer Bottom into the grooves.



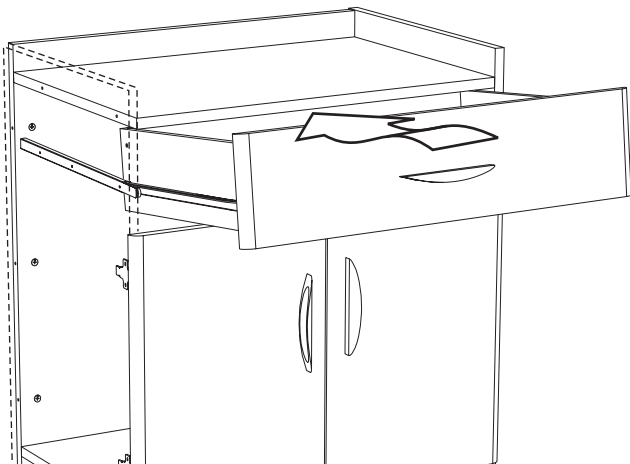
- 9** Now fasten the other (Z) Drawer Side, with four (AA) Drawer Screws.



- 10** Attach the (EE) Outer Drawer Front to the drawer by inserting (FF) 7/8" Washer Screws through the inner Drawer Front and into the Outer Drawer Front (use the OUTER set of holes). Next, attach the (T) Handle to the drawer by inserting two (GG) 1-1/2" Screws through the inner Drawer Front, the Outer Drawer Front and into the Handle (use the INNER set of holes). Tighten securely. Attach the (X) Left Drawer Rail and the (Y) Right Drawer Rail to the drawer sides with the rollers toward the back, using three (G) 1/2" Flat-head Screws each.



- 11** Install the drawer: lift the back rollers on the Drawer Rails over the front rollers on the Cabinet Rails, tilt the drawer enough to start the drawer moving, and lower the drawer to push it all the way into place.



- 12** Insert two (V) Shelf Pegs into the small interior holes on the left and right side panels, all on the same level (See inset). Tilt the (W) Adjustable Shelf and insert it between the doors. Position the shelf onto the Shelf Pegs.

