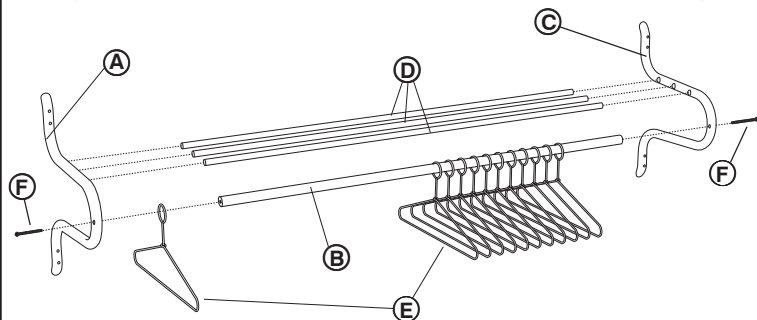


| PARTS LIST | | | |
|-------------|----------------------------|------|----------|
| LETTER CODE | DESCRIPTION | QTY. | PART NO. |
| (A) | Left End Bracket | 1 | 4164-02 |
| (B) | Hanger Pole – 24" | 1 | 4210-01 |
| | Hanger Pole – 36" | 1 | 4211-01 |
| | Hanger Pole – 48" | 1 | 4164-01 |
| (C) | Right End Bracket | 1 | 4164-03 |
| (D) | Shelf Tube – 24" | 3 | 4210-04 |
| | Shelf Tube – 36" | 3 | 4211-04 |
| | Shelf Tube – 48" | 3 | 4164-04 |
| (E) | Hanger | 12 | 4164-05 |
| (F) | Bolt | 2 | 4164-23 |
| (G) | Mounting Screw (not shown) | 8 | 4164-22 |



NOTE: due to the potential weight of a full rack, we do not recommend mounting to a drywall (wallboard) surface unless both end brackets are fastened into wood or metal studs.

Locate the (A) Left End Bracket (when placed on the left, it's the one with three large holes on the upper tube, facing the future CENTER of the unit).

Place the bracket against the wall at the desired height and position, and mount to wall with fasteners appropriate to the particular wall surface (Mounting Screws (G) included are intended for WOOD surface only; fasteners for other surfaces not included).

Using the (B) Hanger Pole (with the larger diameter) as a spacer between them, mount the (C) Right End Bracket loosely to the wall IN THE TOP MOUNTING HOLE ONLY, making certain the tops of the two end brackets are level with each other.

Tilt the right end bracket to the side until you can insert the three (D) Shelf Tubes into the large holes in the end brackets, then return the right end bracket to its proper position and finish mounting it.

Slide the (E) Hangers onto the (B) Hanger Pole, and insert between the end brackets; fasten at each end with (F) Bolts through the brackets and into the pole ends.