

ASSEMBLY INSTRUCTIONS

Thank you for purchasing this Safco Product.

We hope that you will enjoy using it.

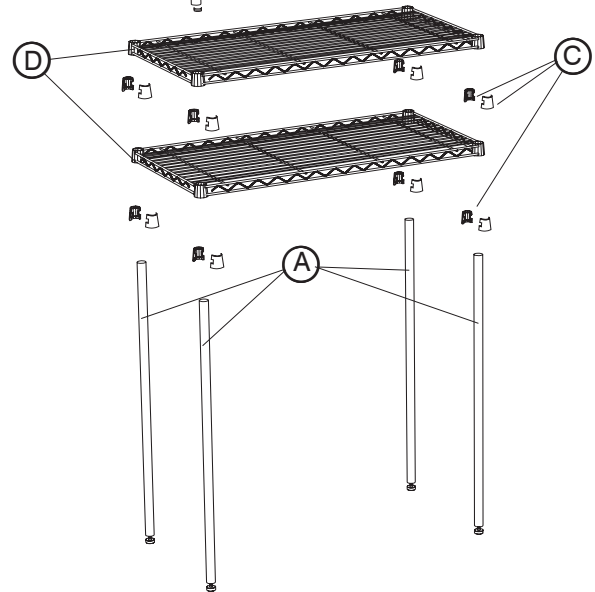
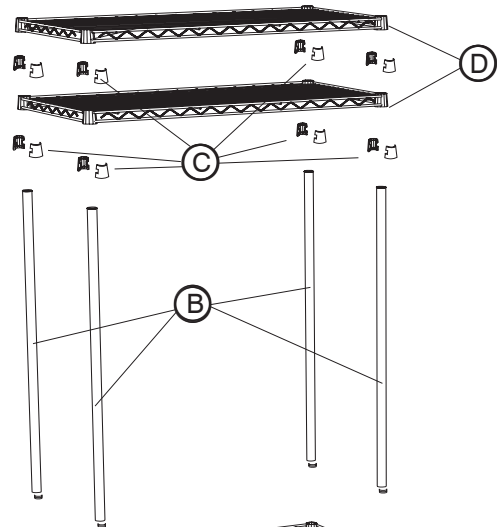
**SHOULD YOU NEED ASSISTANCE WITH YOUR PRODUCT,
PLEASE DO NOT RETURN YOUR
PRODUCT TO THE STORE!**

For all questions, concerns or assistance, please call

Safco Consumer Hot Line

1-800-664-0042

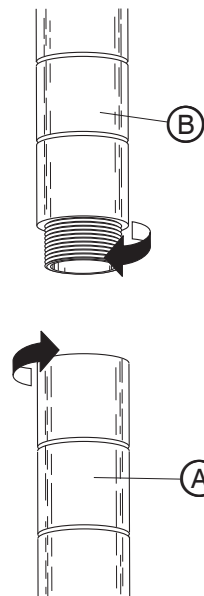
available Monday-Friday 8:00 AM to 4:30 PM (Central Time)
(English-speaking operators)



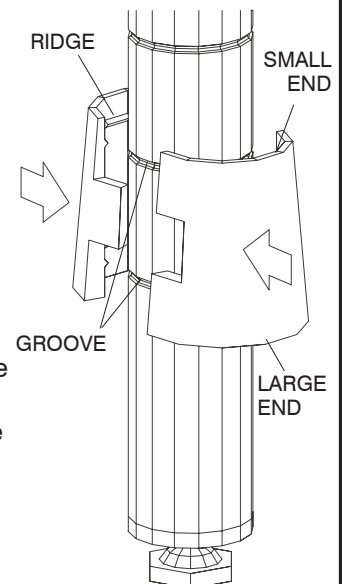
Sort and count your parts!

PARTS LIST			
LETTER CODE	DESCRIPTION	QTY.	PART NO.
(A)	Lower Post (with leveler)	4	5276-01
(B)	Upper Post (with plastic cap)	4	5276-02
(C)	Half-Sleeve	32	5280-05
(D)	Shelf	4	5241-03

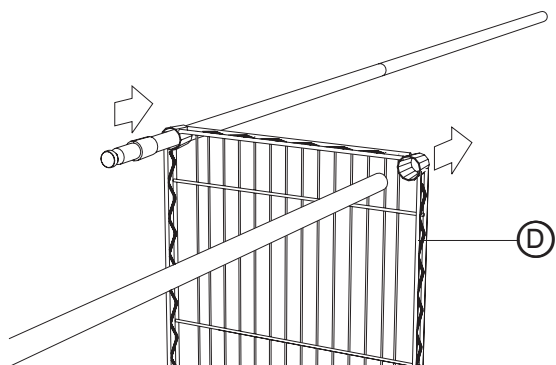
- 1** To build the four corner posts, screw the (A) Lower Posts (with levelers) onto the (B) Upper Posts (with plastic caps). Hand tighten.



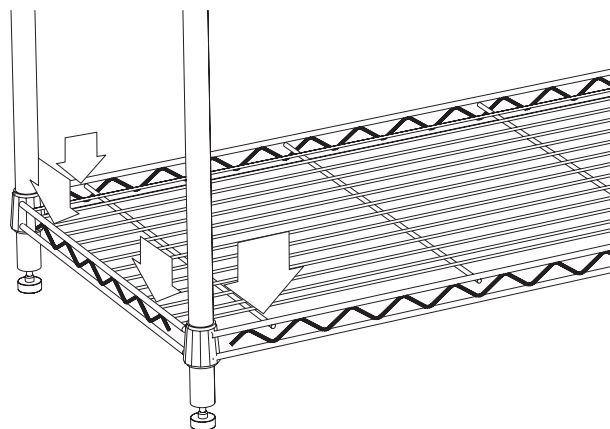
- 2** Decide where you want to mount the **BOTTOM SHELF** (no more than 12" from the floor). At this position on each post, place two (C) Half-Sleeves around the post, with the **LARGE** ends of the sleeves toward the **BOTTOM** of the post and the ridges inside the sleeves fitting into the grooves in the post. Press the two halves until they snap together.



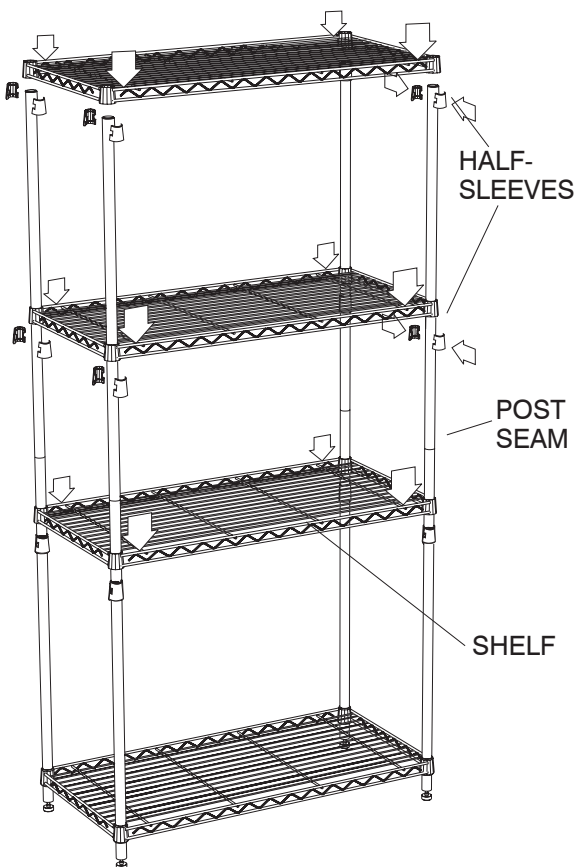
- 3** Stand a (D) Shelf on end, and from the **BOTTOM** side of the shelf (the bottom side is recessed), slide the **TOP** end of a post through a corner hole until the half-sleeves are seated in the corner hole. Repeat with remaining posts.



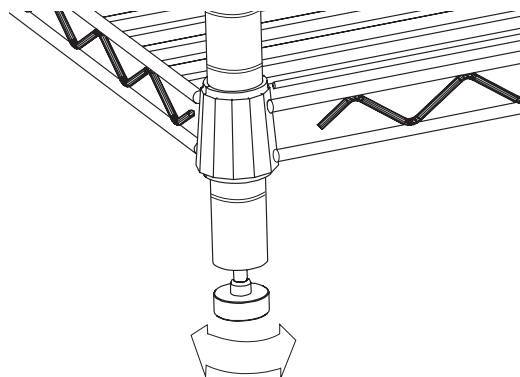
- 4** Set the unit upright. Press the shelf firmly at each shelf corner, close to the corner holes, until firmly seated.



- 5** Snap half-sleeve sets onto all four posts at the desired height for the **NEXT** shelf. Lower this shelf into position and press until fully seated. Install the third and fourth shelves in the same manner, with both shelves mounted **ABOVE** the post seams.



- 6** Set the unit into place and adjust the levelers at the bottoms of the posts until shelves are level in both directions.



**MODEL 5241
(SHOWN ASSEMBLED)**