

Sort and count your parts!

PARTS LIST: STARTER UNIT #5291			
LETTER CODE	DESCRIPTION	QTY.	PART NO.
(A)	Lower Post (with leveler)	4	5280-07
(B)	Upper Post (with plastic cap)	4	5280-08
(C)	Half-Sleeve	32	5280-05
(D)	Shelf	4	5280-03

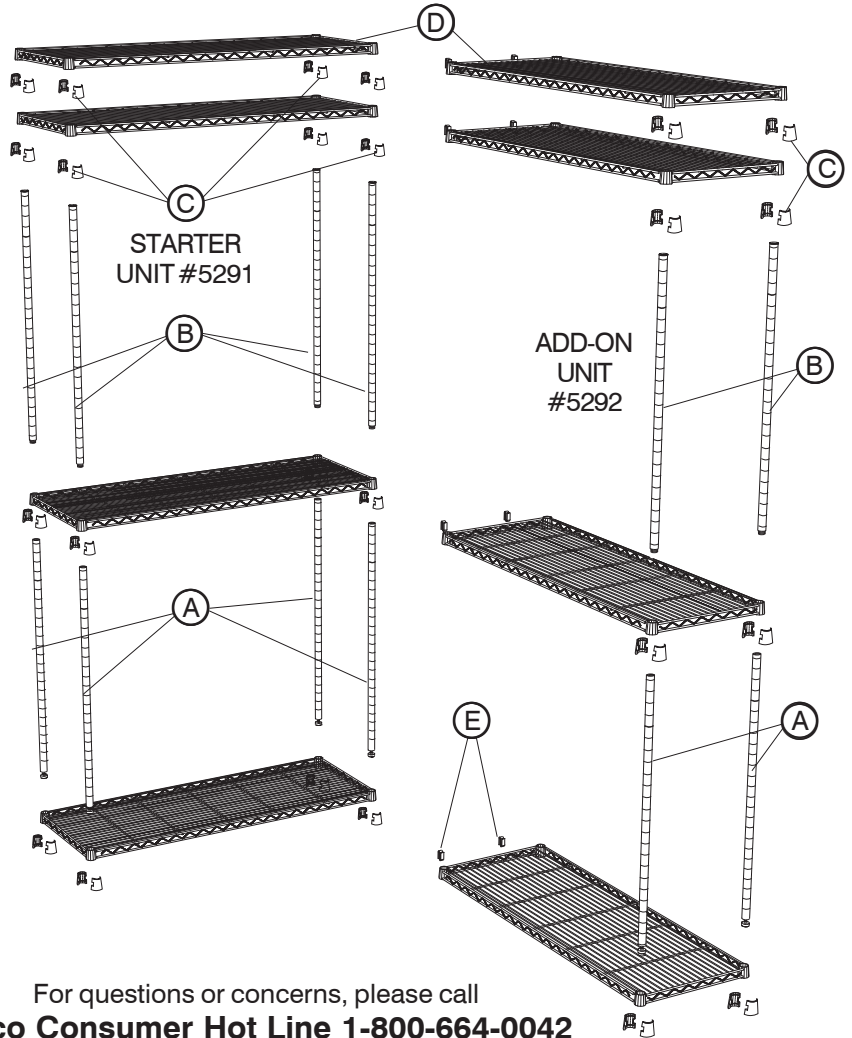
PARTS LIST: ADD-ON UNIT #5292			
LETTER CODE	DESCRIPTION	QTY.	PART NO.
(A)	Lower Post (with leveler)	2	5280-07
(B)	Upper Post (with plastic cap)	2	5280-08
(C)	Half-Sleeve	16	5280-05
(D)	Shelf	4	5280-03
(E)	S-Connecting Hook	8	5286-11

When ordering replacement parts, please specify Black or Gray color.



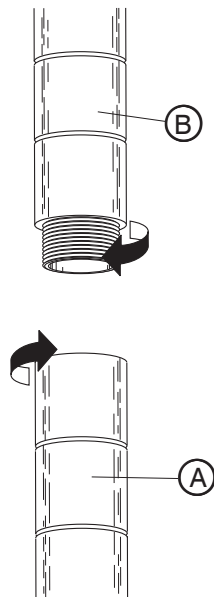
SHOWN ASSEMBLED:  
STARTER UNIT #5291 and  
ADD-ON UNIT #5292

## ASSEMBLY INSTRUCTIONS

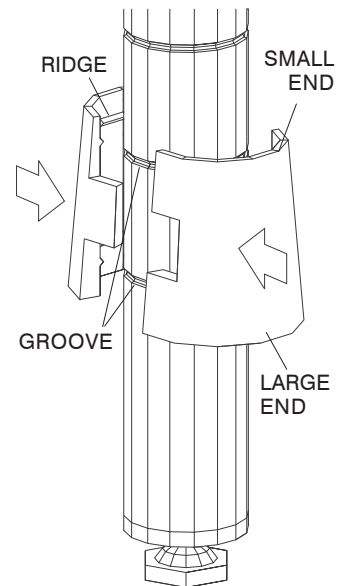


For questions or concerns, please call  
**Safco Consumer Hot Line 1-800-664-0042**  
available Monday-Friday 8:00 AM to 4:30 PM (Central Time)  
(English-speaking operators)

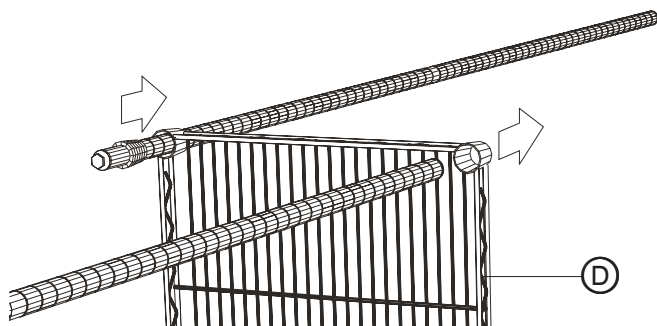
**1** To build the four corner posts, screw the (A) Lower Posts (with levelers) onto the (B) Upper Posts (with plastic caps). Hand tighten.



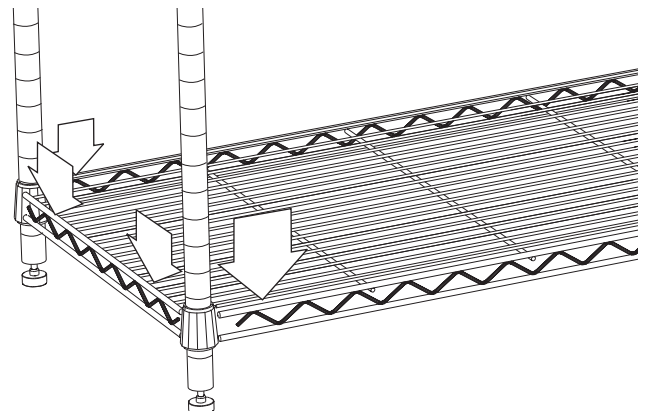
**2** Determine the desired position of the bottom shelf (only); on each post, place two (C) Half-Sleeves around the post at the correct position, with the LARGE ends of the sleeves toward the BOTTOM of the post and the ridges inside the sleeves fitting into the grooves in the post. Press the two halves until they snap together. NOTE: the bottom shelf must be mounted no more than 12" from the floor.



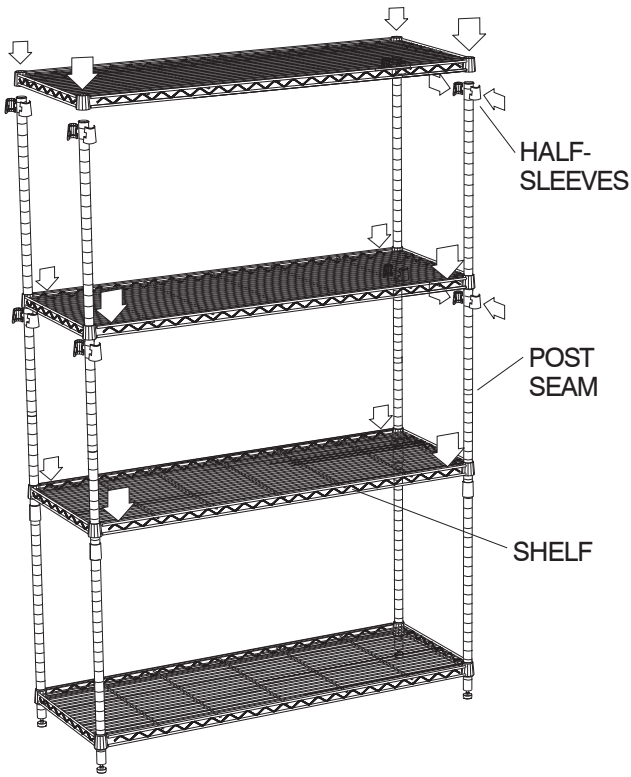
**3** Stand a (D) Shelf on end, and from the BOTTOM side of the shelf (the bottom side is recessed), slide the TOP end of a post through a corner hole until the half-sleeves are seated in the corner hole. Repeat with remaining posts.



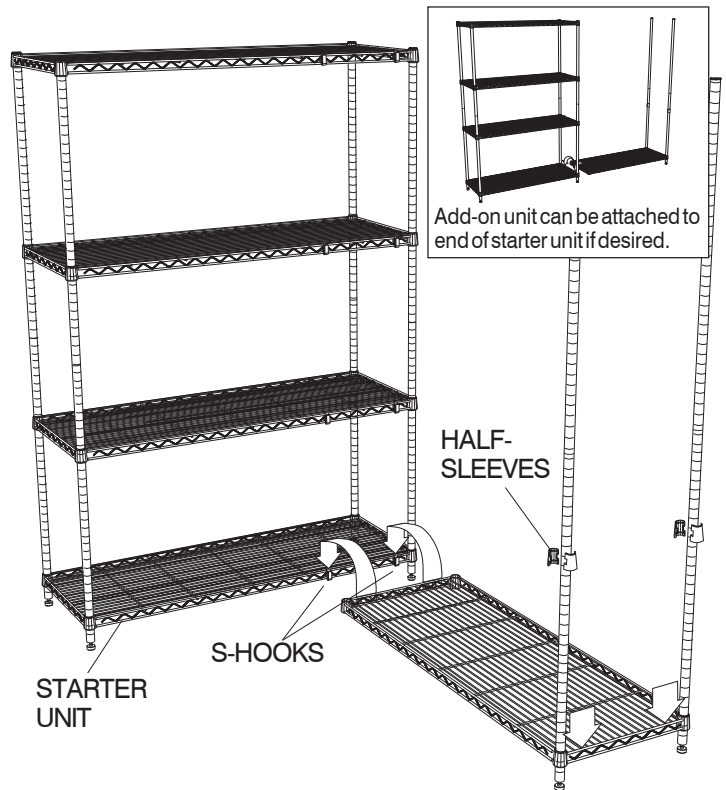
**4** Set unit upright. Press shelf firmly at each shelf corner, close to corner holes until firmly seated.



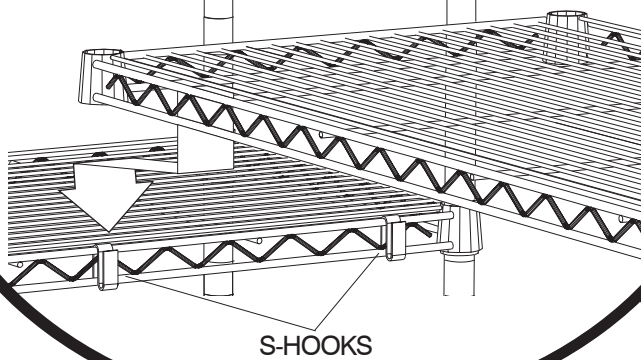
- 5** Snap half-sleeve sets onto all four posts at desired height for next shelf. Lower next shelf into position and press until fully seated. Install third and fourth shelves in the same manner, with both shelves mounted ABOVE the post seams.



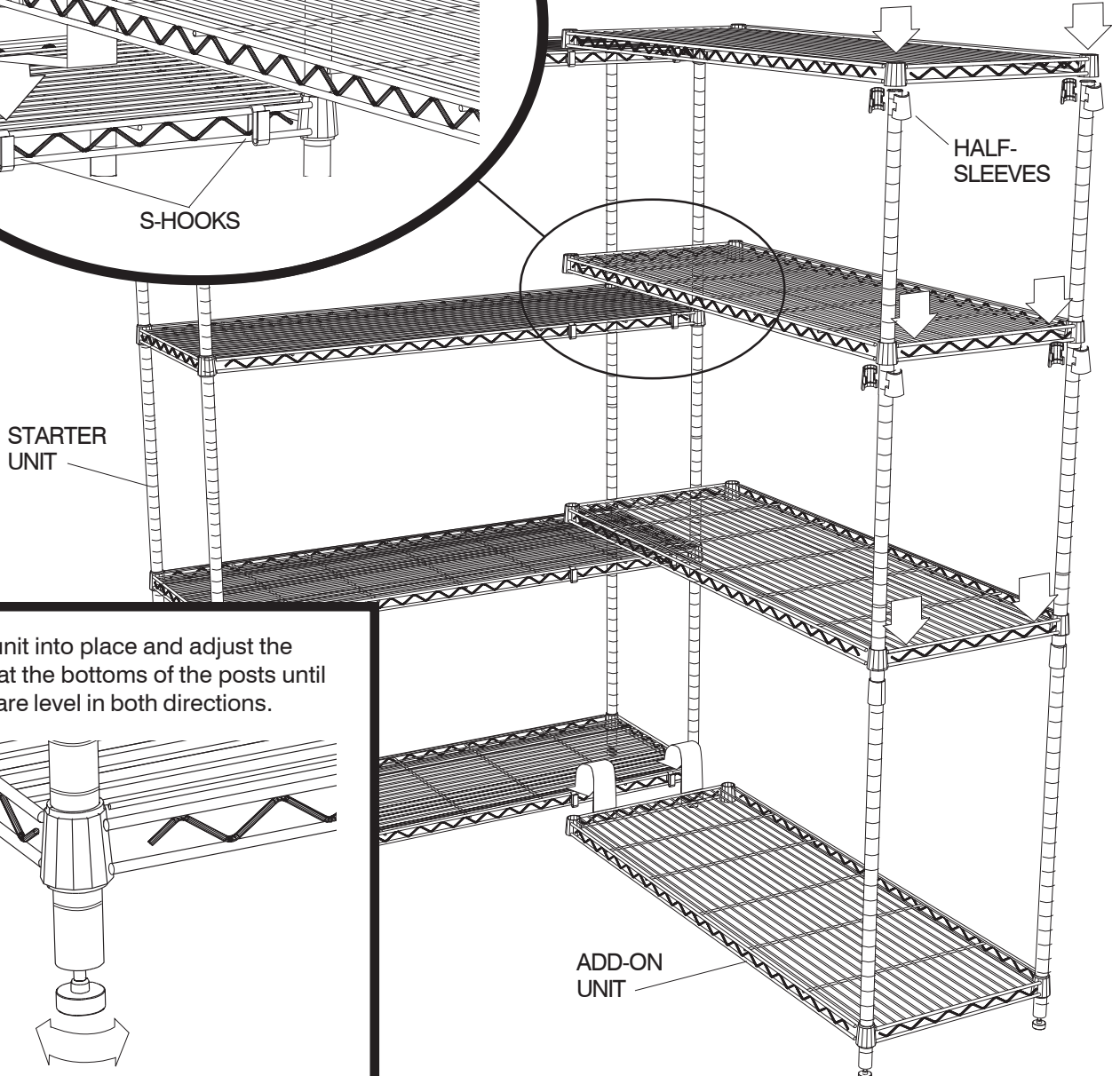
- 6** Connect optional add-on upper posts to lower posts using step 1. Install half-sleeves for bottom add-on shelf, refer to step 2. Insert posts into short side of add-on shelf referring to steps 3 and 4. Slide two S-Connecting Hooks onto each front frame of starter unit shelves. Position hooks at least 12 inches apart.



Connect add-on shelf to corresponding shelf on main unit using two S-Connecting Hooks per shelf.



- 7** Snap half-sleeve sets onto add-on posts at same height as next shelf on starter unit. Lower the next shelf into position with the shelf frame of the non-post side on the S-hooks. Press corners near half-sleeves until fully seated. Install the third and fourth shelves in the same manner.



- 8** Set the unit into place and adjust the levelers at the bottoms of the posts until shelves are level in both directions.

