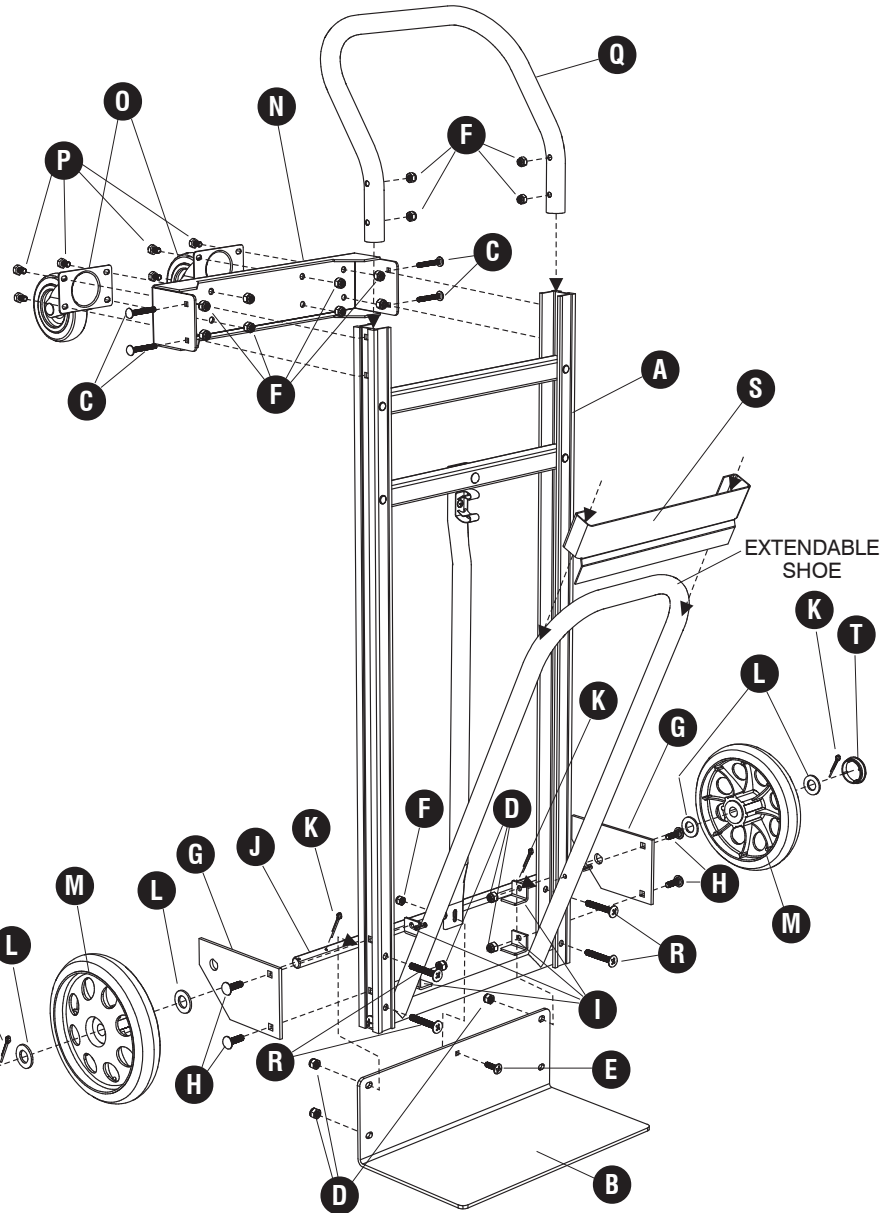


an LDI Company
 New Hope, MN 55428
 Visit us on the web:
www.safcoproducts.com

ASSEMBLY INSTRUCTIONS

TOOLS REQUIRED: Adjustable or Socket Wrenches (Metric), Hammer, Phillips Screwdriver, Pliers
PRODUCT WARRANTY CARD is available online at: www.safcoproducts.com

PARTS LIST			
CODE	DESCRIPTION	QTY.	PART NO.
A	Frame with Extendable Shoe	1	4074-01
B	Shoe	1	4074-03
G	Gusset	2	4074-06
J	Axle	1	4074-32
M	Wheel	2	4074-08
N	Caster Bracket	1	4074-05
O	Caster	2	4074-25
Q	Handle	1	4074-02
S	Locking Plate	1	4074-04



HARDWARE PACK 4074-99

C Long Carriage Bolt QTY: 4 #4074-22	D Large Nut QTY: 8 #4074-24
E Short Carriage Bolt QTY: 1 #4074-20	F Small Nut QTY: 13 #4074-23
H Medium Carriage Bolt QTY: 4 #4074-21	I Insert QTY: 4 #4074-07
K Cotter Pin QTY: 4 #4074-28	L Washer QTY: 4 #4074-31
P Hex Head Bolt QTY: 8 #4074-27	R Long Screw QTY: 4 #4074-26
T Hubcap QTY: 2 #4074-09	

