

KITCHEN FAUCET

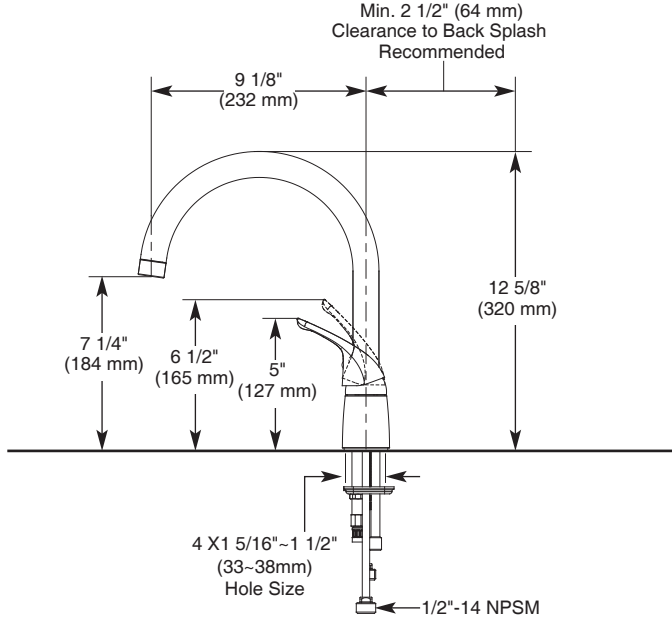
- Single handle, lever, kitchen faucet with matching side spray and soap dispenser.

STANDARD SPECIFICATIONS

- Single handle, 4 hole sinks.
- 12 5/8" (320 mm) high, 9 1/8" (232 mm) long spout, swings 360°.
- Model with spray attachment.
- 1/2"-14 NPSM threaded male inlet adapters.
- Lever handle with rotating stainless steel ball valve and replaceable non-metallic seats.

WARRANTY

- Lifetime Faucet and Finish Limited Warranty to the Original consumer purchaser to be free from defects in material and workmanship.
- 5 Year Limited Warranty for usage in all Industrial, Commercial and Business applications.



COMPLIES WITH

- ASME A112.18.1/CSA B125.1

Indicates compliance to ICC/ANSI A117.1

Verified compliant with 0.25% weighted average Pb content regulations.

