

KITCHEN FAUCET

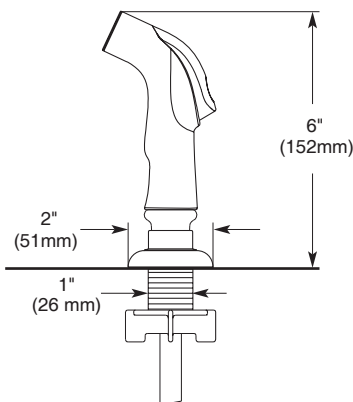
- Two handle, lever, kitchen faucet with matching spray.

STANDARD SPECIFICATIONS

- Two handle kitchen faucet with swivel spout for exposed mounting on 4 hole sinks with 8" centers.
- 12 1/2" (318 mm) high, 9" (229 mm) long spout, swings 360°.
- The fully replaceable, washerless valve design rotates from the full-off position to the full-on position in 90°.
- The valve stems on the hot and cold stems are interchangeable.
- 1/2"-14 NPSM threaded male inlet shanks.

WARRANTY

- Lifetime Faucet and Finish Limited Warranty to the Original consumer purchaser to be free from defects in material and workmanship.
- 5 Year Limited Warranty for usage in all Industrial, Commercial and Business applications.



COMPLIES WITH

- ASME A112.18.1/CSA B125.1



Indicates compliance to ICC/ANSI A117.1

Verified compliant with 0.25% weighted average Pb content regulations.

