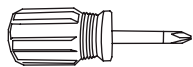
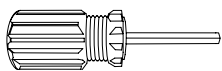


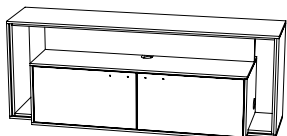
Component List



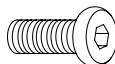
A - Phillips Screwdriver
x 1



B - Hex Driver
x 1



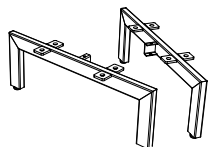
C - Cabinet
x 1



D - 1/4-20 x 5/8"
Machine Screw
x 10



E - Stretcher
x 1



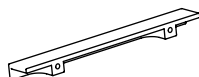
F - Leg
x 2



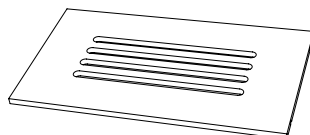
G - 1/4-20 x 1.75"
Machine Screw
8167 x 4
8168 x 3



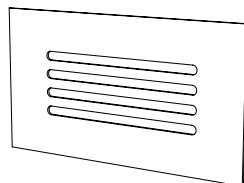
H - M4 x 25mm
Machine Screw
8167 x 2
8168 x 4



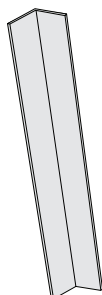
I - Pull
8167 x 1
8168 x 2



J - Adjustable Shelf
8168 x 2



K - Back Panel x 2



L - Cardboard Corner
Protector
x 2

Cavo is engineered for easy assembly. Carefully follow this procedure to prevent any damage.

Please do not discard packaging until reading these instructions.

NOTE: This instruction sheet is intended for the Cavo collection; model 8168 is shown for illustration.

Placement and Maintenance

Cavo is designed for indoor use on level floors. Clean steel parts and wood veneer with a moist cloth.

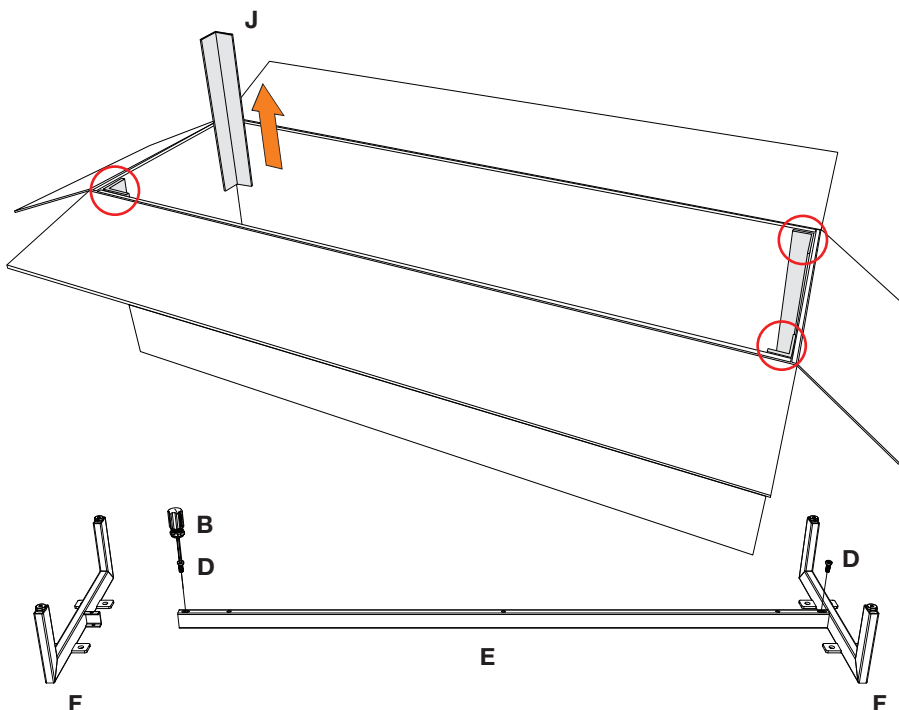
Step 1

Unpack and Identify

Unpack and identify the components at left. Note that some components are shipped inside the cabinet. The assembly workspace should be a non-marring surface such as clean carpet. For missing hardware pieces, please contact BDI Customer Service at customerservice@bdiusa.com. For all other concerns, please contact your BDI Retailer.

Step 2

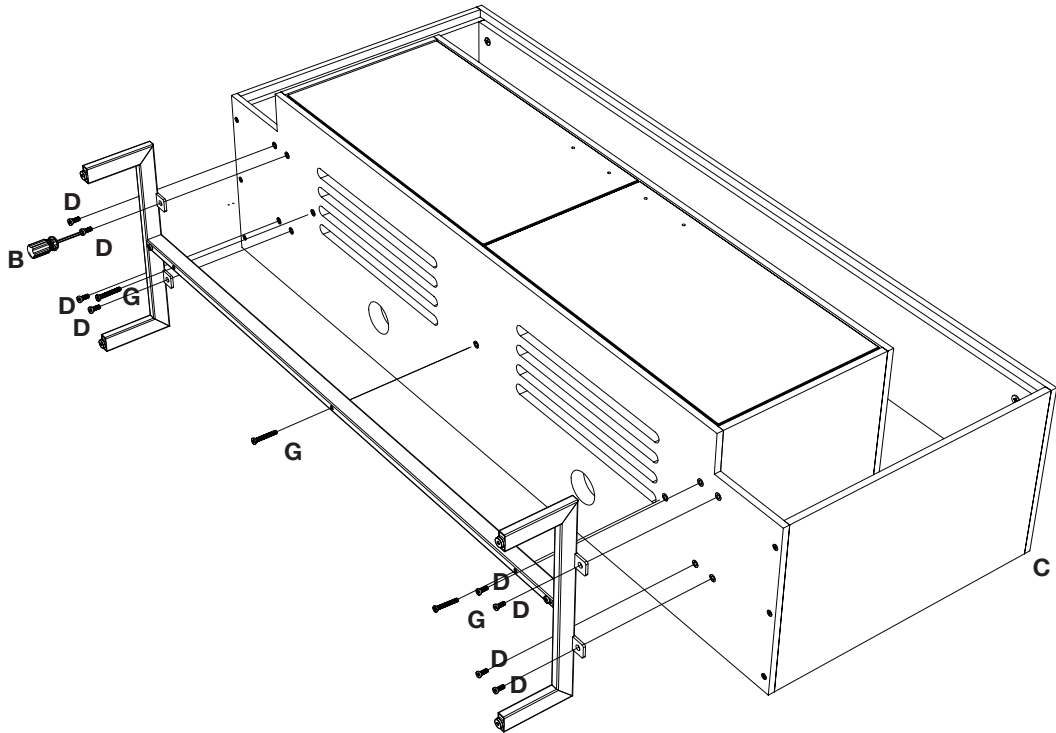
Remove **Cardboard Corner Protectors (L)** from packaging. Loosely attach **Stretcher (E)** to **Legs (F)** using **Screw (D)**.



Step 3

Install Leg Assembly

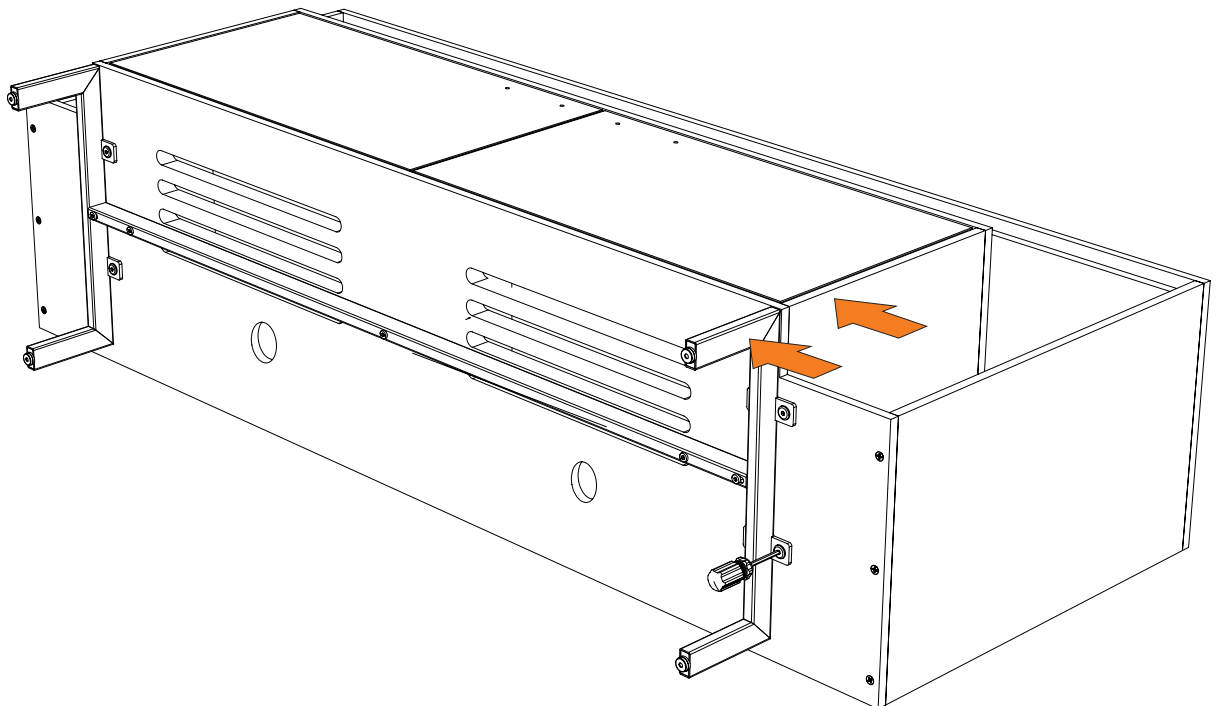
With **Cabinet (C)** resting safely on its back side, loosely install **Leg Assembly** to cabinet bottom using **Screw (D)**, **Screw (G)** and tighten with **Hex Driver (B)**.



Step 4

Align Leg Assembly

Double check that the outside face of the **Legs (F)** are flush with the side of the interior cabinet, then tighten all screws down with **Hex Driver (B)**. **Do not overtighten.**

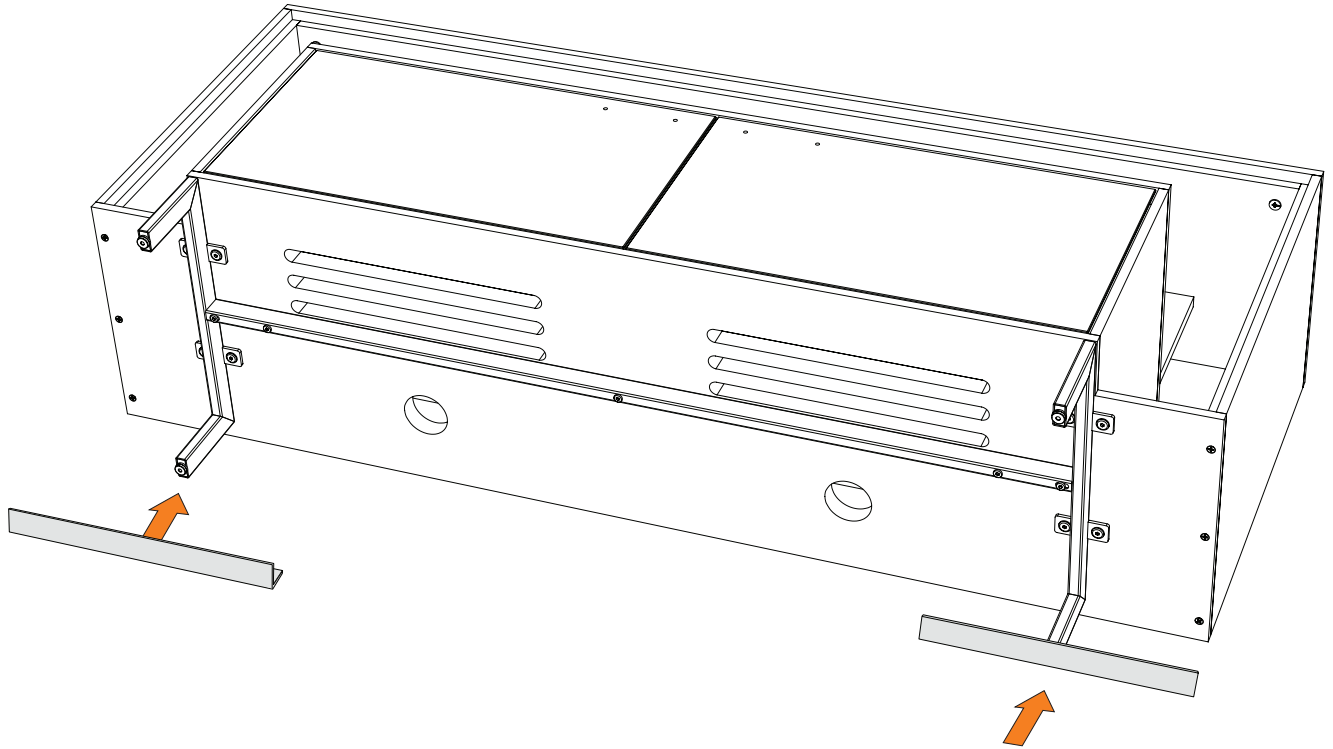


CAUTION: FOLLOW THIS STEP CAREFULLY TO AVOID DAMAGE TO YOUR FLOOR.

Step 5

Position cabinet right side up.

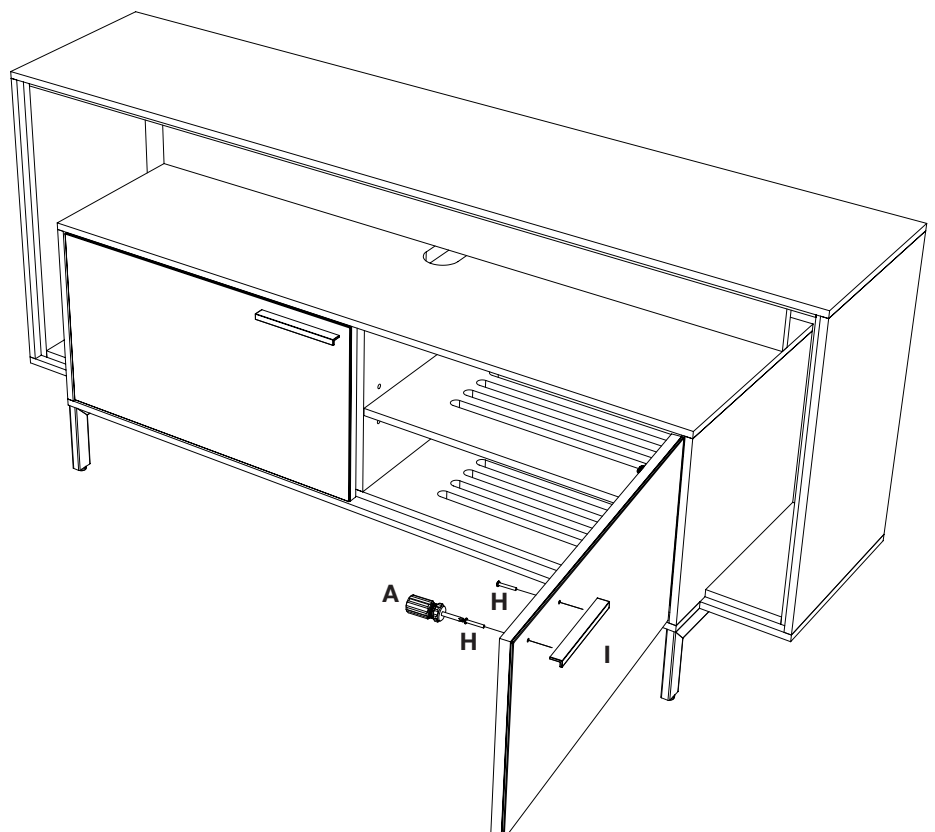
Place the **Cardboard Corner Protectors (L)** from packaging underneath the installed cabinet **Legs (F)**. With the help of another person, carefully tip cabinet upright onto cabinet **Legs (F)**. Slide **Cardboard Corner Protectors (L)** from underneath cabinet **Legs (F)**.



Step 6

Install Pulls

Install **Pulls (I)** on the doors using **Screws (H)** and the **Phillips Screwdriver (A)** supplied.



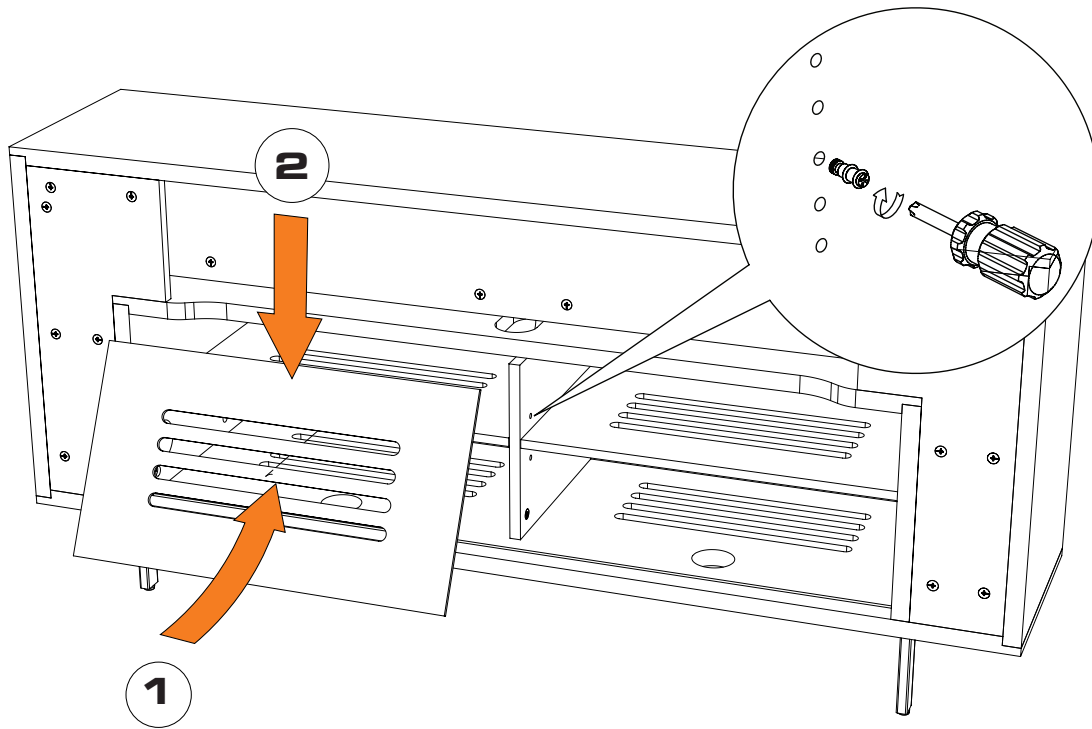
Step 6

Install Back Panels

Install both **Back Panels (K)** to the backside of the cabinet by inserting top edge in upper channel, then tipping bottom edge forward and into lower channel.

NOTE: Velcro straps are included as wire management for your convenience.

The shelf pins located inside the left and right cabinet space may be repositioned, allowing you to raise or lower each shelf to the desired level.

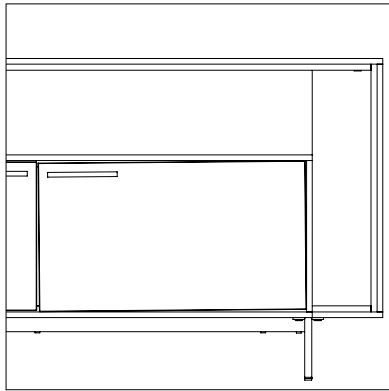


Fine tuning your new BDI Cavo Home Theater Furniture

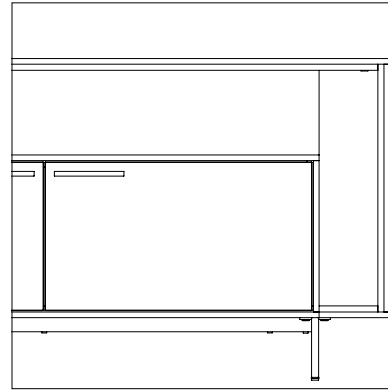
These steps are to be followed after you have unpackaged and completed the simple assembly instructions for your Cavo AV stand. Due to jostling in freight or perhaps an uneven floor, the doors on your Cavo stand may not appear to be in perfect alignment. Making a few minor adjustments can rectify this situation. Be aware that depending on your situation, patience and a bit of trial and error are required. The high-quality European hinge hardware is infinitely adjustable, but changing one element can cause the need for further adjustments. Through a little adjustment, you can modify the orientation of the cabinet doors to make sure that they are sitting perfectly on your Cavo unit.

STEP 1 - Level your Cavo unit

Levelers are integrated into each leg assembly and are accessed at the bottom of each cabinet leg and are hand-adjustable. If your floor is uneven, you may extend one or more levelers to attain a level, stable cabinet placement. Turning the leveler clockwise will extend the leveler; turning it counter-clockwise will retract it.



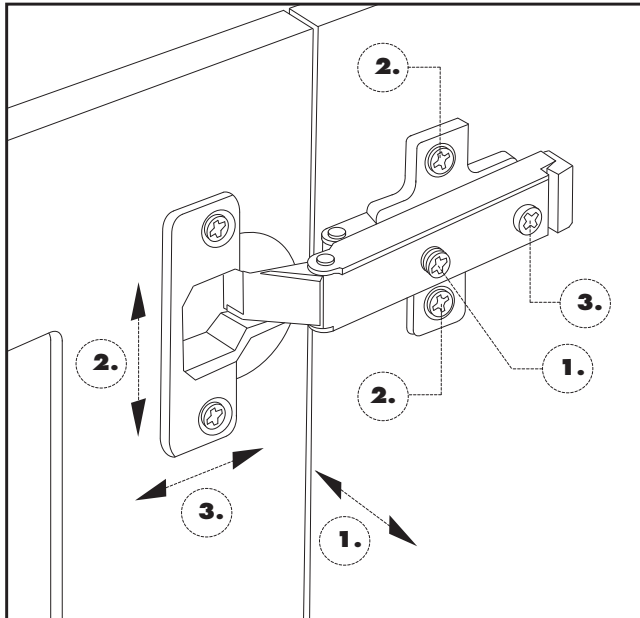
INCORRECT! Door is out of alignment with the rest of the unit.



CORRECT! Door is sitting squarely and evenly spaced on tops and sides.

STEP 2 - Adjust Door Hinges (if needed) The doors on your cabinet should be evenly spaced and the doors should open and close freely without rubbing against the door frame.

If the cabinet's doors appear out of alignment, this condition can be corrected with minor adjustment to the European hinges on each door.



Because these hinges are infinitely adjustable, adjusting one hinge element can sometimes cause the need for adjustments to other elements. But with a few adjustments, you can modify the orientation of the cabinet doors to make sure that they hang perfectly within your cabinet.

Use a Phillips screwdriver to adjust Cavo's door hinges:

- By adjusting **Screw 1**, the door will move LEFT or RIGHT within the frame. Make minor adjustments at both top and bottom hinges for best results.
- By adjusting **Screw(s) 2**, the door will move UP or DOWN within the frame (the top and bottom hinges must be adjusted the same degree).

NOTE: Loosen **Screws 2**, raise or lower door, then hold in position while tightening **Screws 2** (on both hinges).

- By adjusting **Screw 3** the entire door will move IN or OUT, opening or closing the gap between the door frame and cabinet. (This screw rarely needs adjustment.)