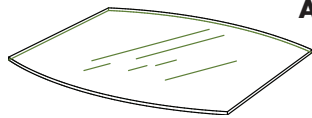


BBB

HIGH PERFORMANCE
FURNITURE FOR YOUR
HOME THEATER



Component List



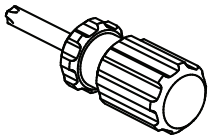
A - Glass Shelf x 2



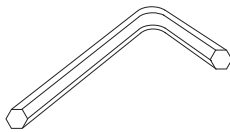
B - Shelf Pin x 8
Pre-installed



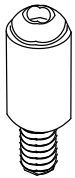
C - Retention Clip x 8
Pre-installed



D - Phillips Screwdriver x 1



E - Allen Wrench x 1



F - Swivel-Lock Pin x 2
Pre-installed

Your Revo™ Home Theater Furniture is engineered for easy assembly. Carefully follow this procedure to prevent any damage.

Placement and Maintenance

Revo™ Home Theater Furniture is designed for indoor use on level floors. Clean glass with glass cleaner. Clean steel parts and wood veneer with a moist cloth.

Step 1

Unpack and identify the parts listed above.

The assembly workspace should be a non-marring surface such as carpet. For missing hardware pieces, please contact BDI Customer Service at: customerservice@bdiusa.com

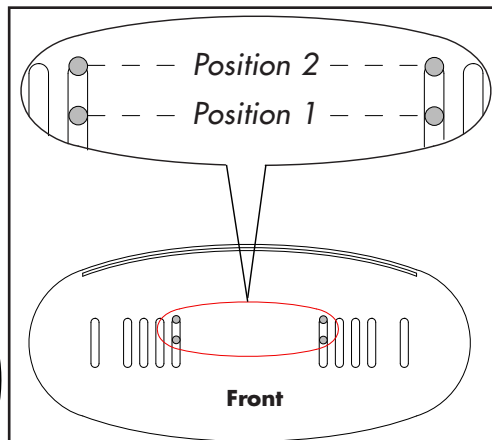
All other concerns, please contact your local BDI Retailer.

Step 2

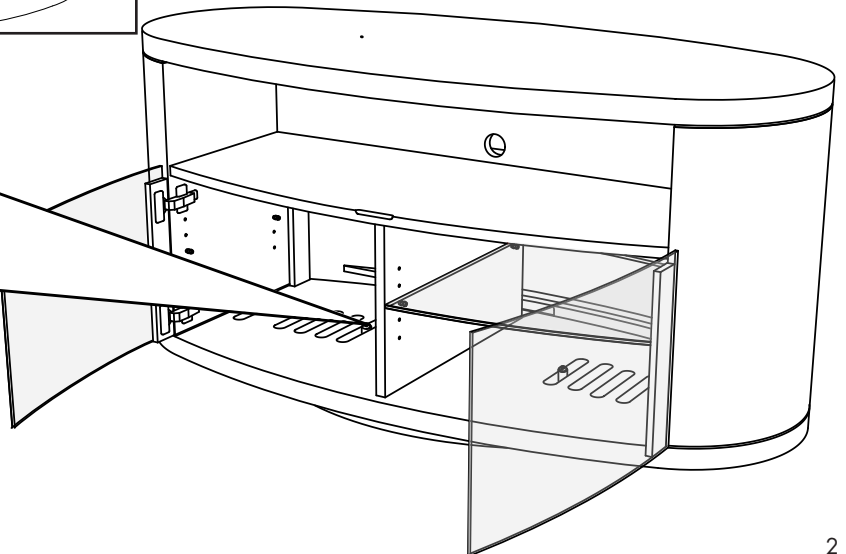
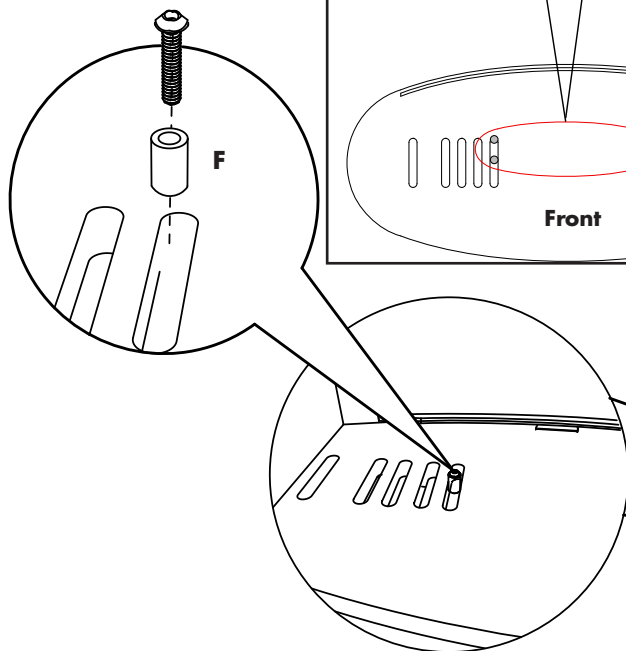
Revo 9981 features a swiveling base.

Note that **Swivel-Lock Pins (F)** are factory-installed at *Position 2* to prevent swiveling during shipment.

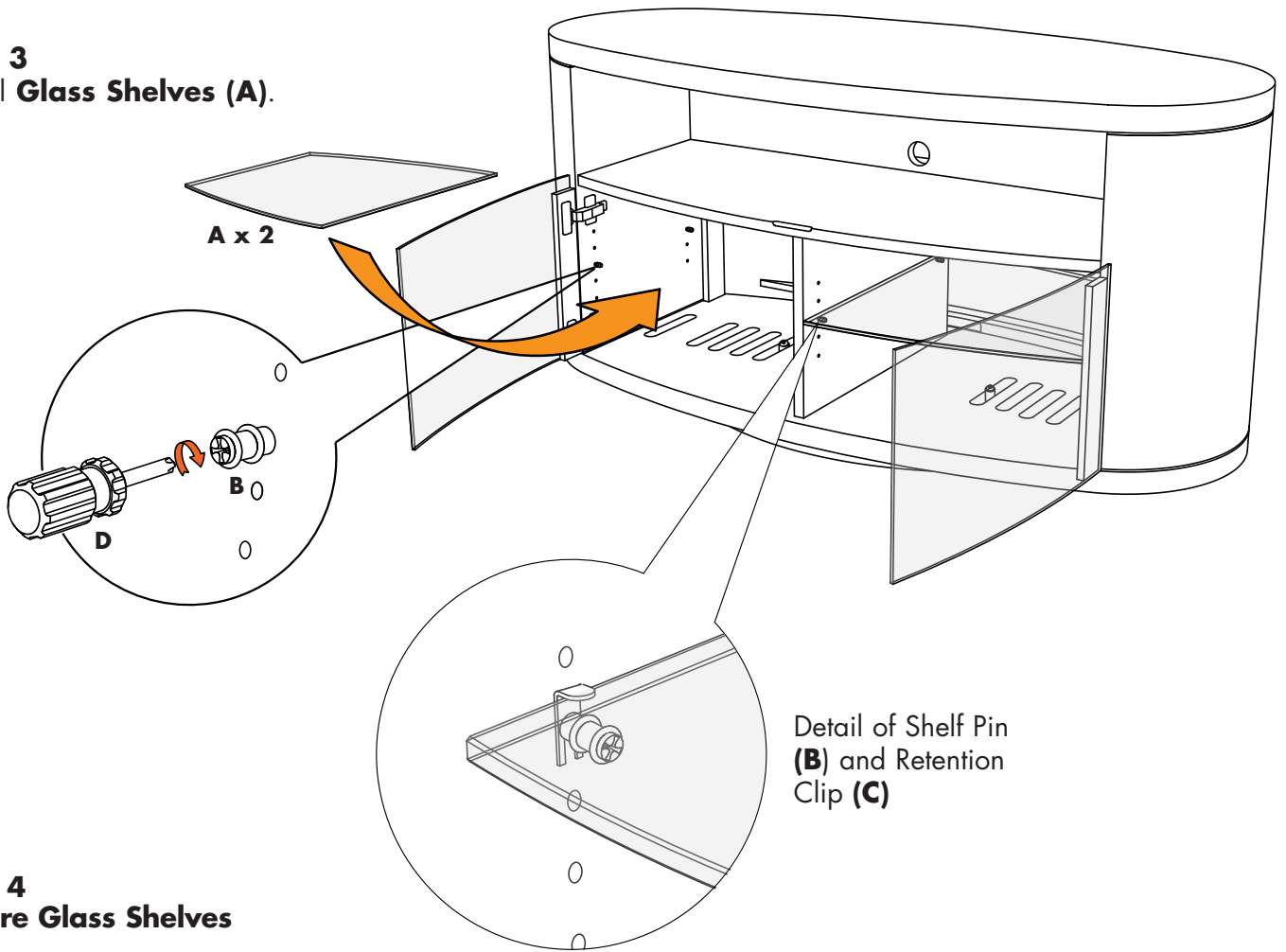
To enable swiveling motion of 15-degrees to left and 15-degrees to right, use provided **Allen Wrench (E)** to remove both **Swivel-Lock Pins (F)** from factory position (*Position 2*) and re-install them at *Position 1*.



NOTE: Choosing not to use the **Swivel-Lock Pins (F)** will enable 360-degrees of rotation.



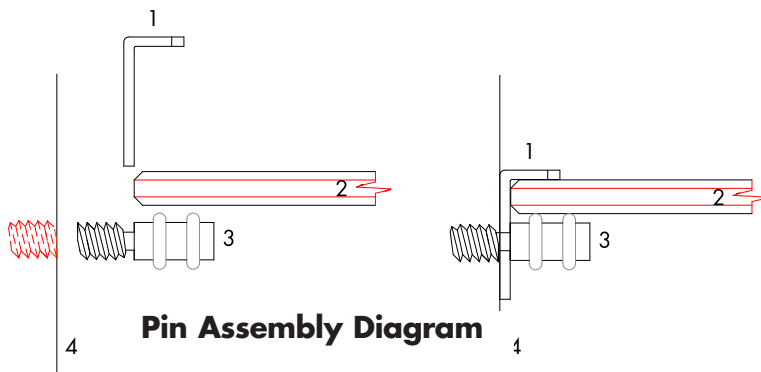
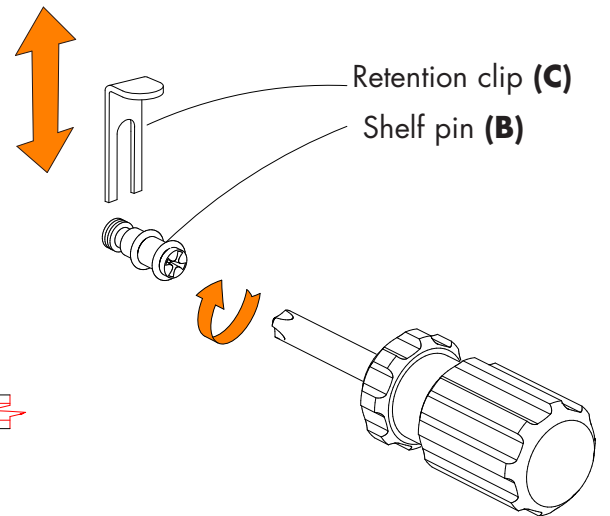
Step 3
Install **Glass Shelves (A)**.



Step 4
Secure Glass Shelves

To secure the shelves on your Revo unit, it is necessary to use the Glass Retention Clip **(C)**, which is secured by the Shelf Pin **(B)**.

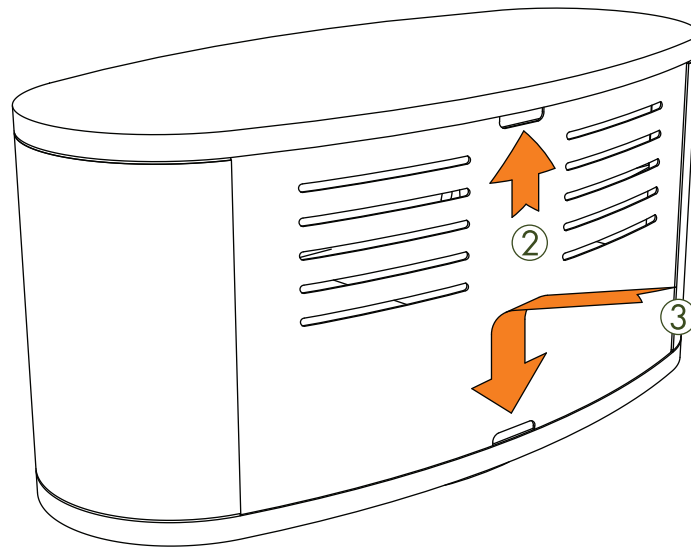
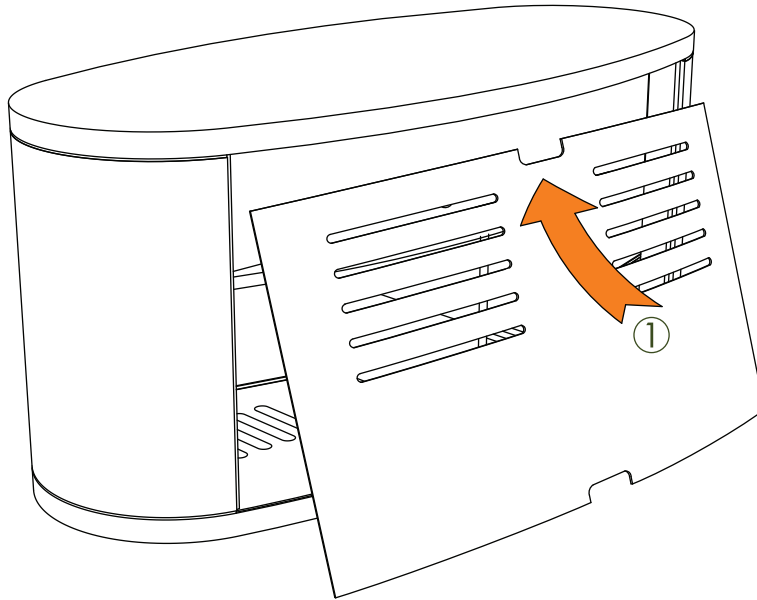
1. Install the 8 Shelf Pins **(B)** at desired location, 4 shelf pins per shelf.
2. Install Glass Shelves **(A x 2)**
3. Install Retention Clips **(C)** as shown in "Pin Assembly Diagram"
4. Secure by tightening the Shelf Pin **(B)** with Phillips Screwdriver **(D)**.



- 1 : Retention clip **(C)**
- 2 : Glass Shelf **(A)**
- 3 : Shelf Pin **(B)**
- 4 : Cabinet wall

Step 5
Install Back Panel.

The back panel comes pre-installed. Follow illustrations below for installation and removal.



RevoTM 9981

Designed by Louis Lara.

These distinctive product configurations are protected by US and international patents, trade dress, and/or copyright laws. BDI is a trademark of Becker Designed, Inc. All Rights reserved. ©2008, BDI