

**BB**

HIGH PERFORMANCE  
FURNITURE FOR YOUR  
**HOME THEATER**



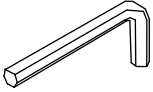
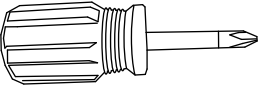
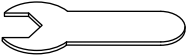

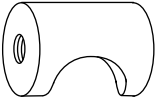
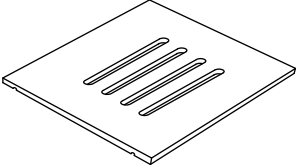
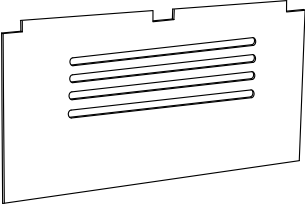

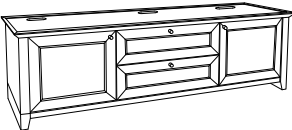
7/2008

**Novia**<sup>®</sup> 8429

Assembly Instructions



## Component List

-  **A** - Allen Wrench x 1
-  **B** - Phillips Screwdriver x 1
-  **C** - Leveler Wrench x 1
-  **D** - Knob Screw x 4
-  **E** - Knob x 4
-  **F** - Adjustable Shelf x 2  
(Pre-installed)
-  **G** - Back Panel x 2
-  **H** - Glass Panel x 1
-  **I** - Assembled Cabinet x 1

Novia® Home Theater Furniture is engineered for easy assembly. Carefully follow this procedure to prevent any damage.

### Placement and Maintenance

Novia® Home Theater Furniture is designed for indoor use on level floors. Clean glass with glass cleaner; clean steel parts and wood veneer with a moist cloth.

### Step 1

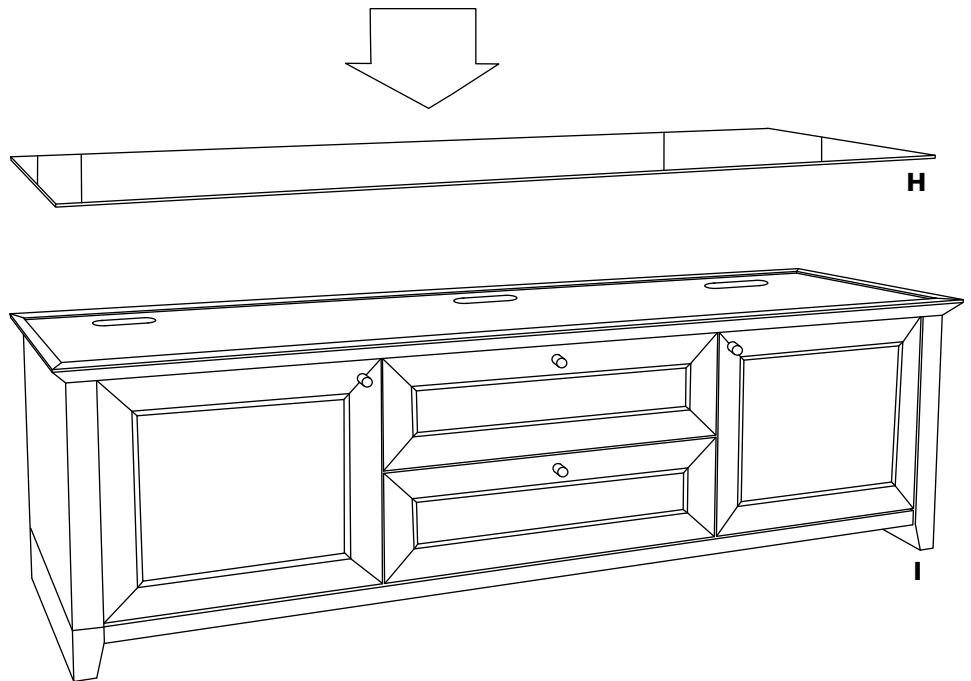
Unpack and identify the parts listed above.

The assembly workspace should be a non-marring surface such as clean carpet. For missing hardware pieces, please contact BDI Customer Service at: [customerservice@bdiusa.com](mailto:customerservice@bdiusa.com).

For all other concerns, please contact your BDI Retailer.

### Step 2

Install **Glass Panel (H)** on top of **Assembled Cabinet (I)**.



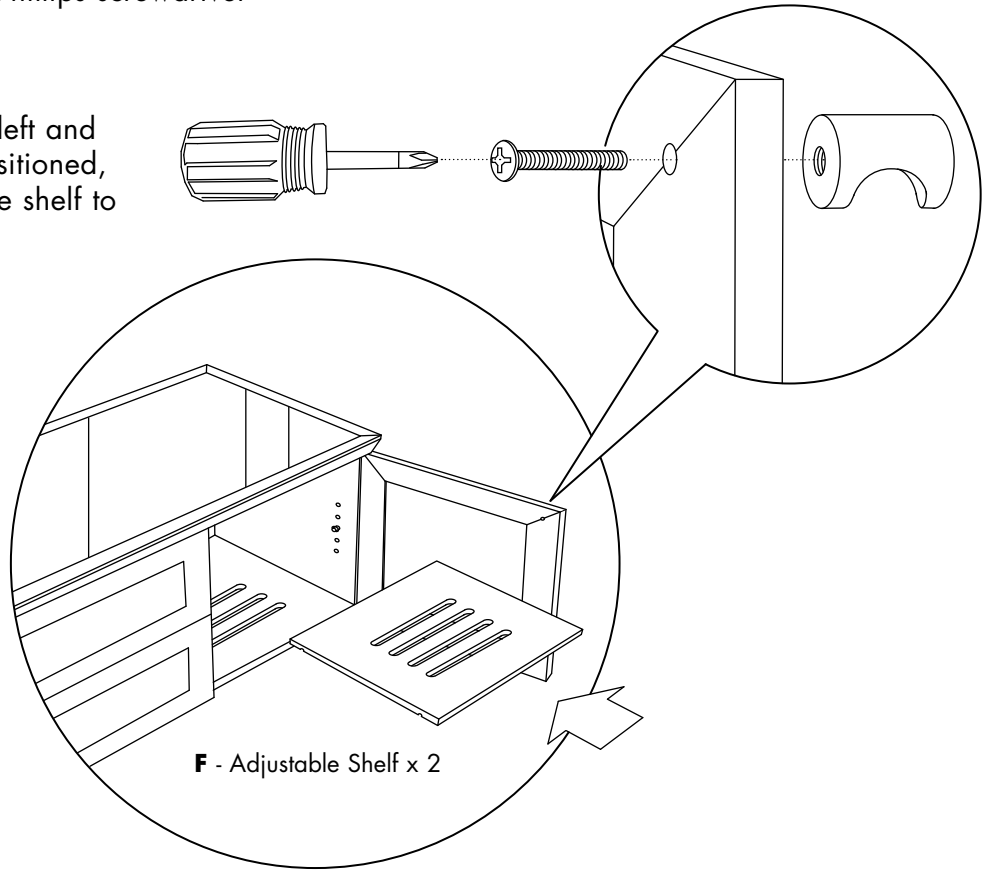
For more information about the adjustable levelers and troubleshooting assembly, be sure to check out "Fine tuning your new BDI Novia Home Theater Furniture" at the end of these instructions.

### Step 3

**Install knob (E)** to the front side of door and drawer faces using knob screw (D) and Phillips screwdriver (B).

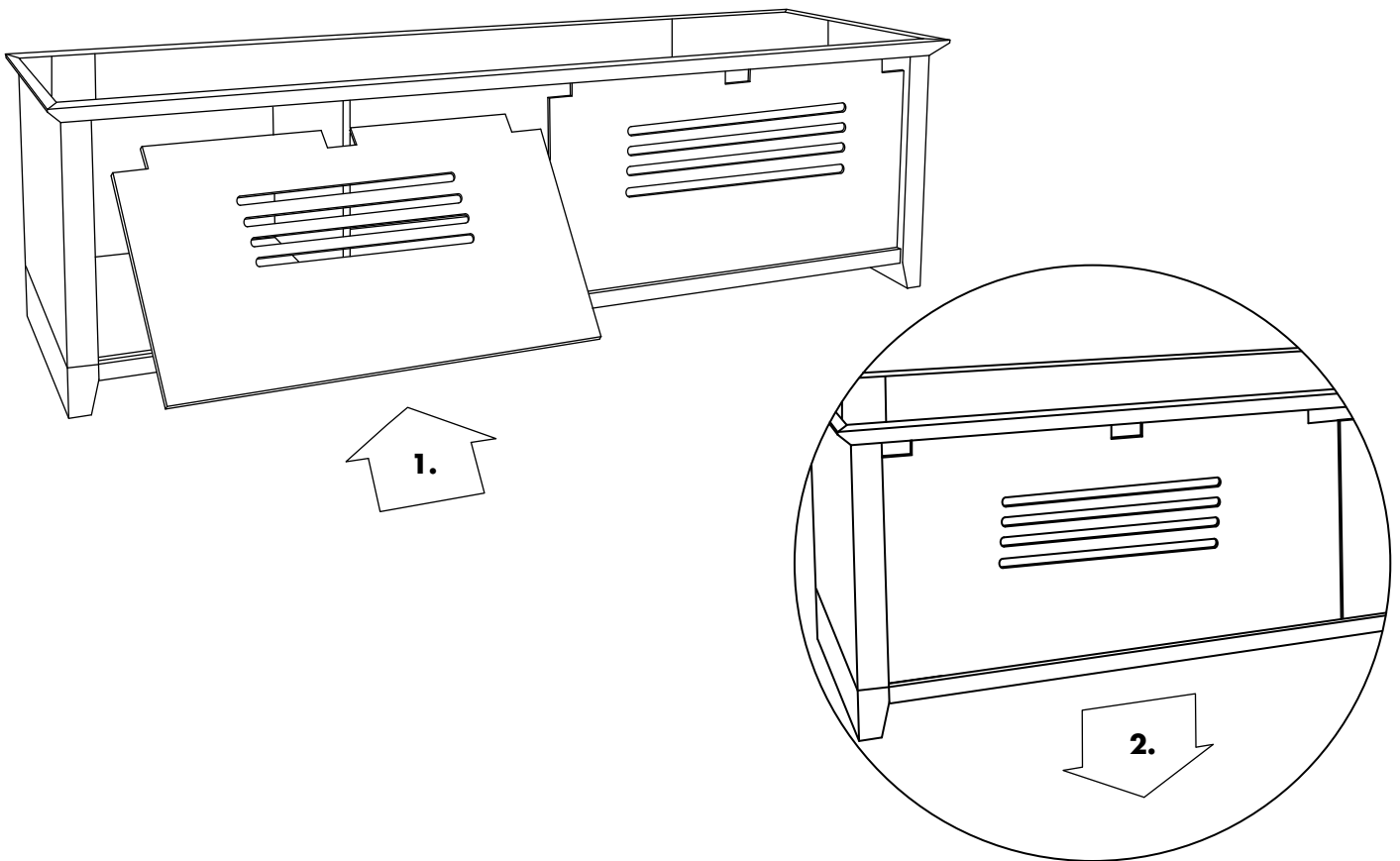
### Step 4

The shelf pins located inside the left and right cabinet space may be repositioned, allowing you to raise or lower the shelf to the desired level.



### Step 5

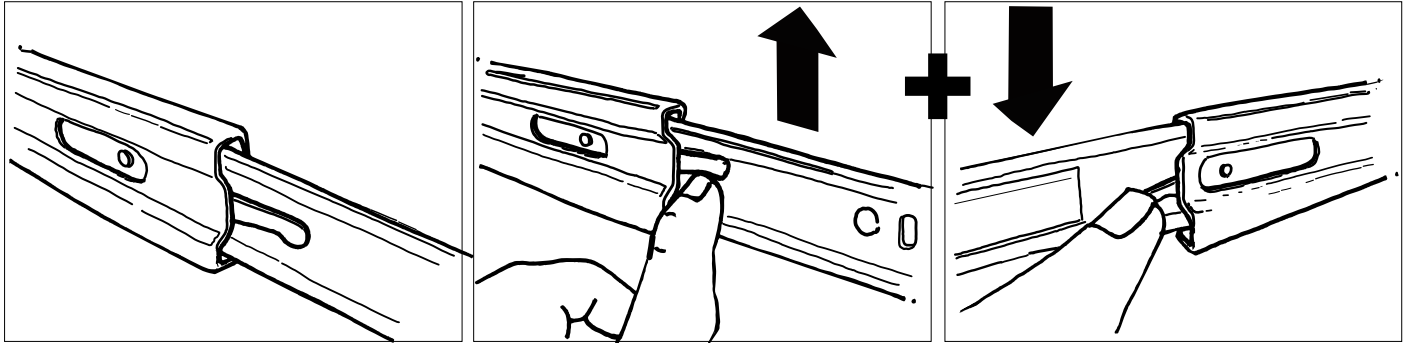
**Install back panel (G)** to the rear side of cabinet in the pre-determined slots. Velcro straps are included as wire management for your convenience.



## Step 6 Center channel speaker option A.

The upper center drawer assembly may be removed in order to accommodate a larger center channel speaker. In order to do this, follow the steps below.

*Drawer Note: Optional glass panel insert is available. Contact BDI Customer Service at: [customerservice@bdiusa.com](mailto:customerservice@bdiusa.com)*



Fully extend drawer and locate plastic lever on drawer slide.

Simultaneously on the LEFT side of drawer, lift UP on plastic lever AND on the RIGHT side of drawer, push DOWN on plastic lever and pull STRAIGHT OUT the entire drawer assembly. Remove drawer slides from interior side panels using a Phillips screwdriver.

## Step 7 Installing Optional Glass or Speaker Panel Insert

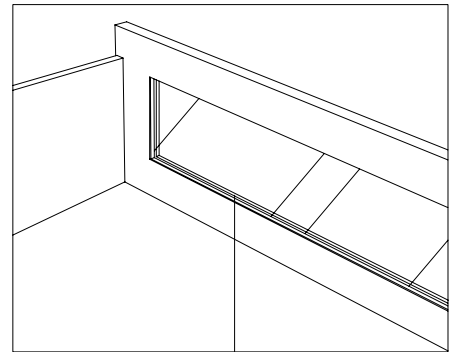
(Contact BDI Customer Service at: [customerservice@bdiusa.com](mailto:customerservice@bdiusa.com)).

Novia's drawer-front features removable/replaceable panel inserts to permit customization of your cabinet's appearance and utility.

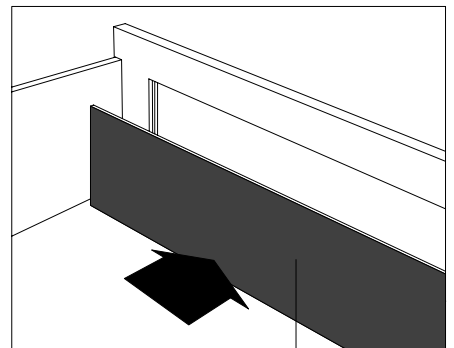
Installing optional panel inserts is quick and easy:

1. From the inside of the door, and starting at one corner of the pre-installed Glass or Speaker panel insert, carefully pull away all four sections of the dark rubber material running along the perimeter of the insert. (Use a blunt, tapered object or your finger to start removing the rubber material.)
2. Once the rubber material is completely pulled away, remove the pre-installed panel insert and replace it with the desired panel insert.
3. Re-install the rubber material, pressing it carefully back into the groove around the new panel insert, section by section, to complete the panel insert installation.

**NOTE:** Gentle stretching of the rubber material during re-installation can cause it to extend beyond one or more corners. If so, simply snip-off the excess material with a pair of sharp scissors.



a. Remove rubber trim and glass panel.



b. Replace insert panel

Thank you for choosing BDI.

Your BDI home theater cabinet is engineered to include a range of adjustments. Please read and retain this guide so that you can fully enjoy the look and use of your cabinet for years to come.

Unless manual leveling is required or you wish to prevent the cabinet from rolling, you may prefer to keep the cabinet's levelers up and off the floor. This allows easier cabinet movement for greater access to rear panels and wire-management, and permits easier cleaning/vacuuming underneath the cabinet.

By following the steps in this guide, you can be sure that your BDI cabinet is in optimum tune and adjustment. If you need additional assistance, contact BDI at [customerservice@bdiusa.com](mailto:customerservice@bdiusa.com).

## Fine-tuning your Novia Home Theater Cabinet

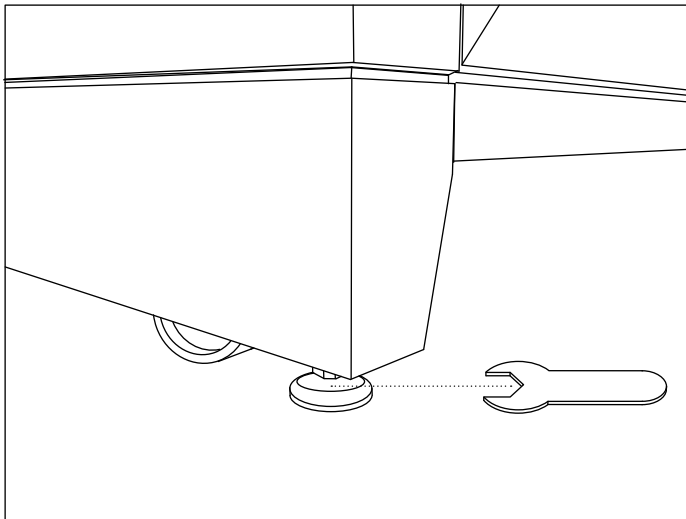
### **STEP 1 - Level your cabinet (if needed)**

After unpacking and assembling your Novia cabinet, inspect it to be sure that it is resting level on the floor, that all doors appear level, and that they open and close freely without rubbing or binding.

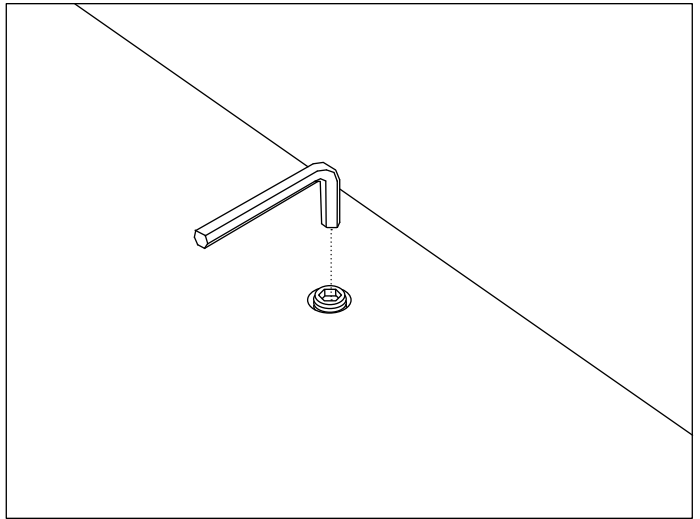
Properly adjusting the cabinet's levelers quickly corrects most panel-alignment issues. There are six (6) adjustable levelers on the bottom of the cabinet; each may be individually adjusted depending on your leveling scenario.

Four (4) of the levelers are accessible near the bottom of the side panels, near front and back, using the provided **Leveler Wrench (C)**.

Two (2) of the levelers are accessible from inside the cabinet—on the bottom panel, inside the middle compartment—and are adjustable using the provided **Allen Wrench (A)**.



Four of the six adjustable leg levelers are accessible near the bottom of the side panels using the **Leveler Wrench (C)**.

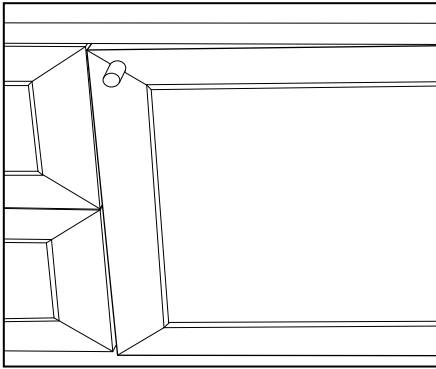


Two of the six adjustable leg levelers on the bottom, mid section of the cabinet are accessible from inside the cabinet using the **Allen Wrench (A)**.

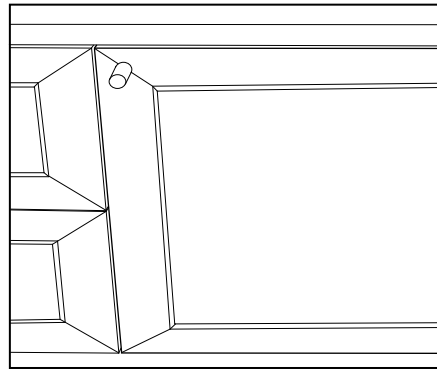
## Fine-tuning your Novia Home Theater Cabinet (continued)

### STEP 2 - Adjust Doors (if needed)

Your cabinet's doors should show even spacing around edges and should open and close freely, without rubbing against the door frame. BDI cabinets feature high-quality, infinitely adjustable European hinges. Adjustments may be made to the door hinges with the use of a Phillips head screwdriver, and each hinge features three (3) adjustment screws:

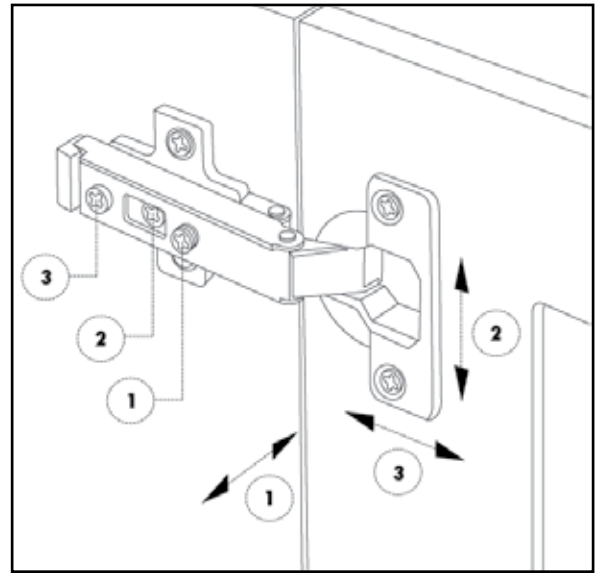


**INCORRECT!** Door is out of alignment with the rest of the unit.



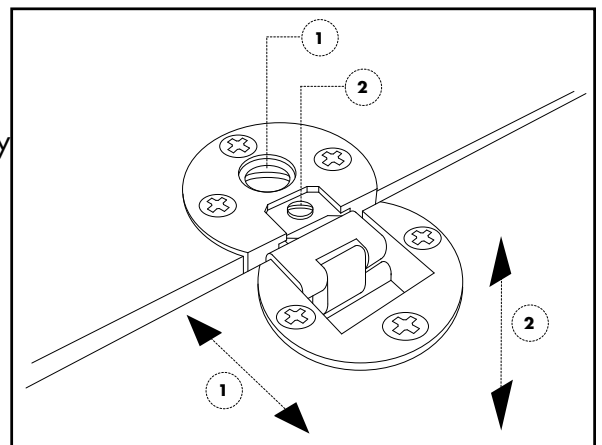
**CORRECT!** Door is sitting squarely and evenly spaced on top and sides.

- By adjusting **Screw 1**, the door will move left or right within the frame. Making minor adjustments to both the top and bottom hinges usually yields best results.
- By adjusting **Screw 2**, the door will move up or down within the frame. (The top and bottom hinges must be adjusted equally).
- By adjusting **Screw 3**, the door will move in or out, opening and closing the gap between the door frame and cabinet. (Screw 3 rarely needs adjustment.)



Some BDI cabinets feature a 'flip-down' door with two round hinge assemblies and an articulating arm assembly. (Refer to the image.) By fine-tuning at each hinge location, you can noticeably adjust the overall door position.

Screw 1 adjusts the door position INward and OUTward.  
The smaller screw, Screw 2, adjusts the door UP and DOWN.



**Novia**<sup>®</sup> 8429

Designed by BDI Design Studio.

These distinctive product configurations are protected by US and international patents, trade dress, and/or copyright laws. "Novia" and BDI are trademarks of Becker Designed, Inc. All Rights reserved. ©2008, BDI