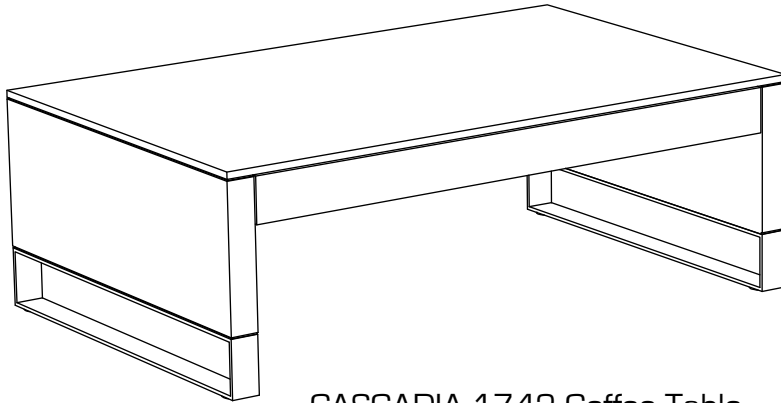
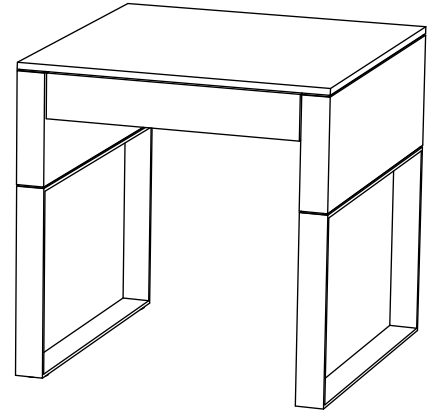


Placement and Maintenance

CASCADIA are designed for indoor use on level floors. Clean glass with glass cleaner, and shelf with a moist cloth.



CASCADIA 1742 Coffee Table



CASCADIA 1746 End Table

Component List

CASCADIA are engineered for easy assembly. Carefully follow this procedure to prevent any damage. Unpack and identify the components. The assembly workspace should be a non-marring surface such as clean carpet. For missing hardware pieces, please contact BDI Customer Service at customerservice@bdiusa.com. For all other concerns, please contact your BDI Retailer.



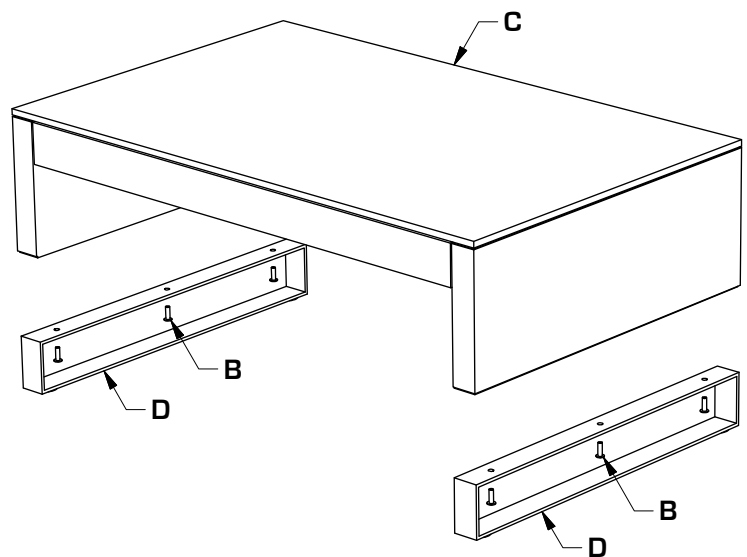
A - Hex Wrench 4mm
x 1



B - 5/16-18 x 25mm
Screws 4mm Socket Drive
x 6

C - Table Assembly x 1

D - Legs x 2

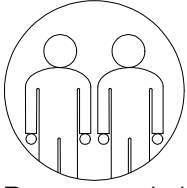


Step 1

Attach Legs to Table Assembly

Place Table upside down on clean carpet.

Using **Screws (B)** attach **Legs (D)** to **Table Assembly (C)** and tighten with **Hex Wrench (A)**.



Recommended
2-person Step

