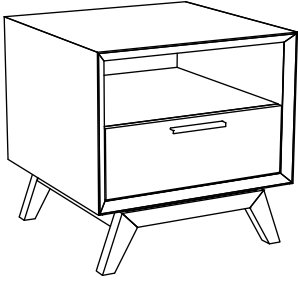
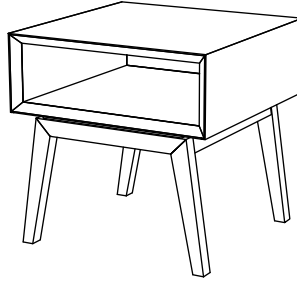


Placement and Maintenance

ERAS tables are designed for indoor use on level floors. Clean wood veneer with a moist cloth.



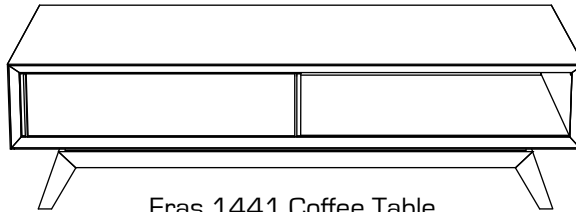
Eras 1446 End Table



Eras 1447 Open End Table



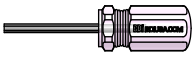
Eras 1448 Console



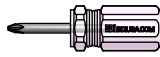
Eras 1441 Coffee Table

Component List

ERAS tables are engineered for easy assembly. Carefully follow this procedure to prevent any damage. Unpack and identify the components. The assembly workspace should be a non-marring surface such as clean carpet. For missing hardware pieces, please contact BDI Customer Service at customerservice@bdiusa.com. For all other concerns, please contact your BDI Retailer.



A - 4mm Hex Driver x 1
For Screws



A2 - Phillips
Screwdriver x 1
To attach Handle, 1446 x 1



B - 5mm Hex Wrench x 1
For Cam and Bolt



C1

C2



C1 - Cam and **C2** - Cam Bolt x 4



D - 8 x 40mm Dowels x 4



E - 1/4-20 x 63mm Screws
1441 x 10
1446 x 6
1447 x 6
1448 x 10



F - M4 x 25mm Screws
1446 x 2



G - Handle
1446 x 1

H - Table x 1

I - Long Base Rails x 2

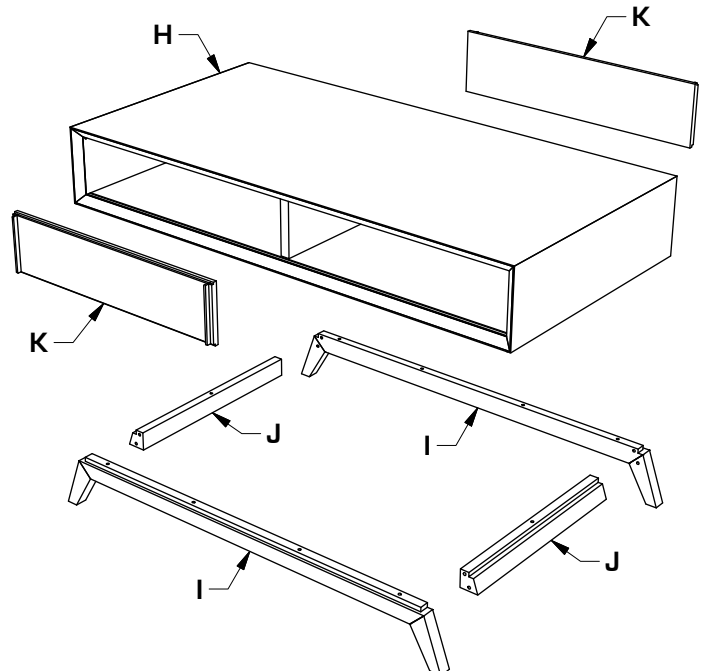
J - Short Base Rails x 2

K - Sliding Doors 1441 x 2

Please Note:

Eras 1441 Coffee Table illustration shown.

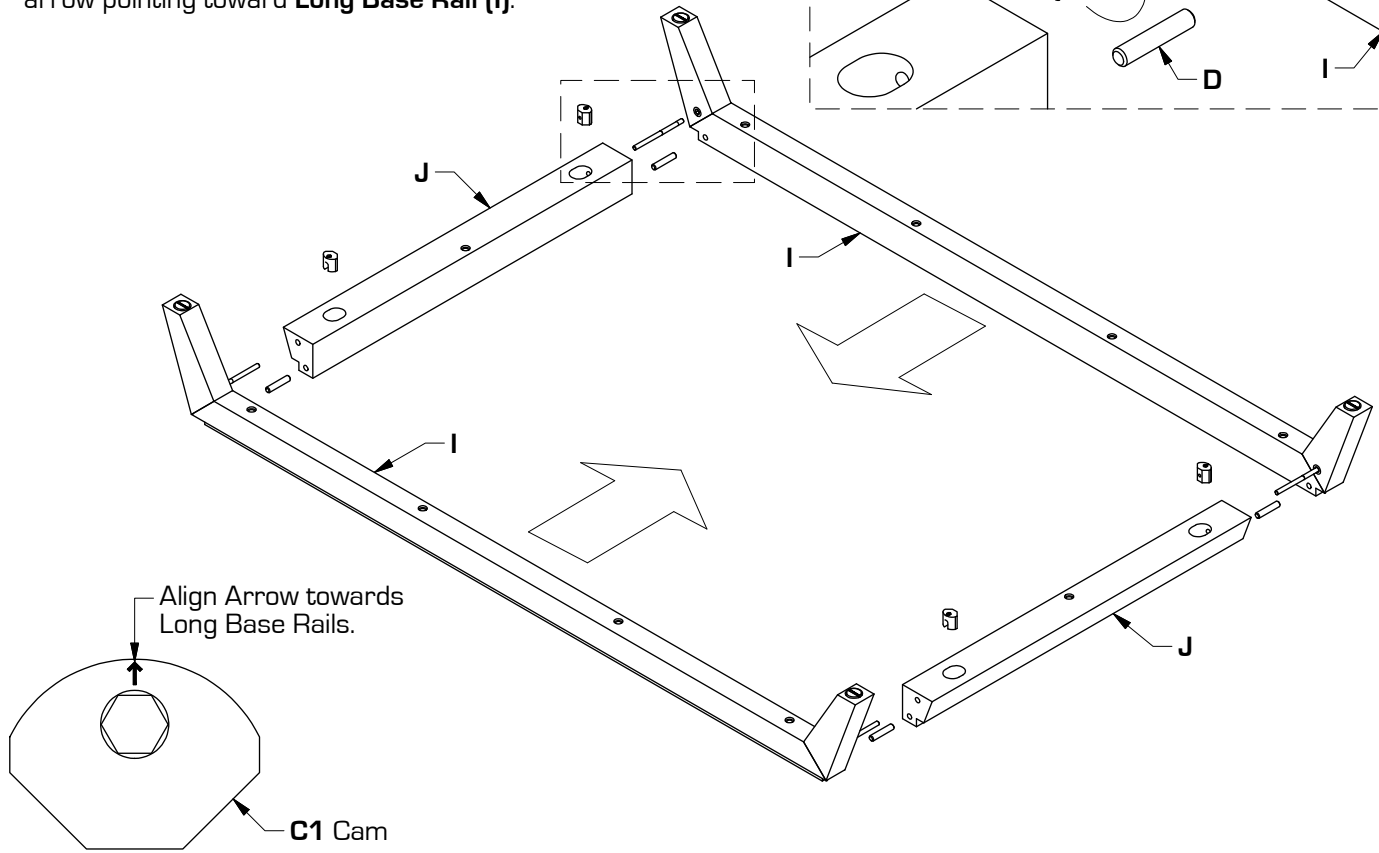
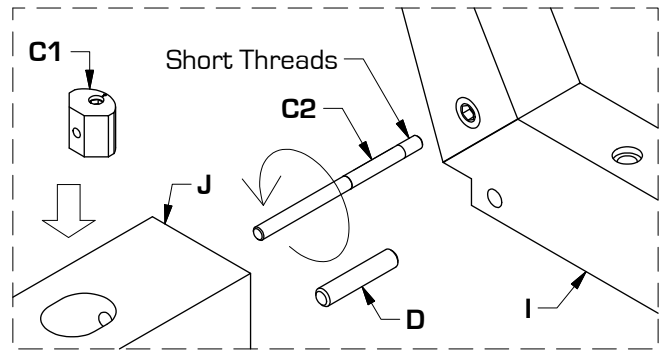
Other Eras model's components will differ in appearance.



Step 1

Assemble Base

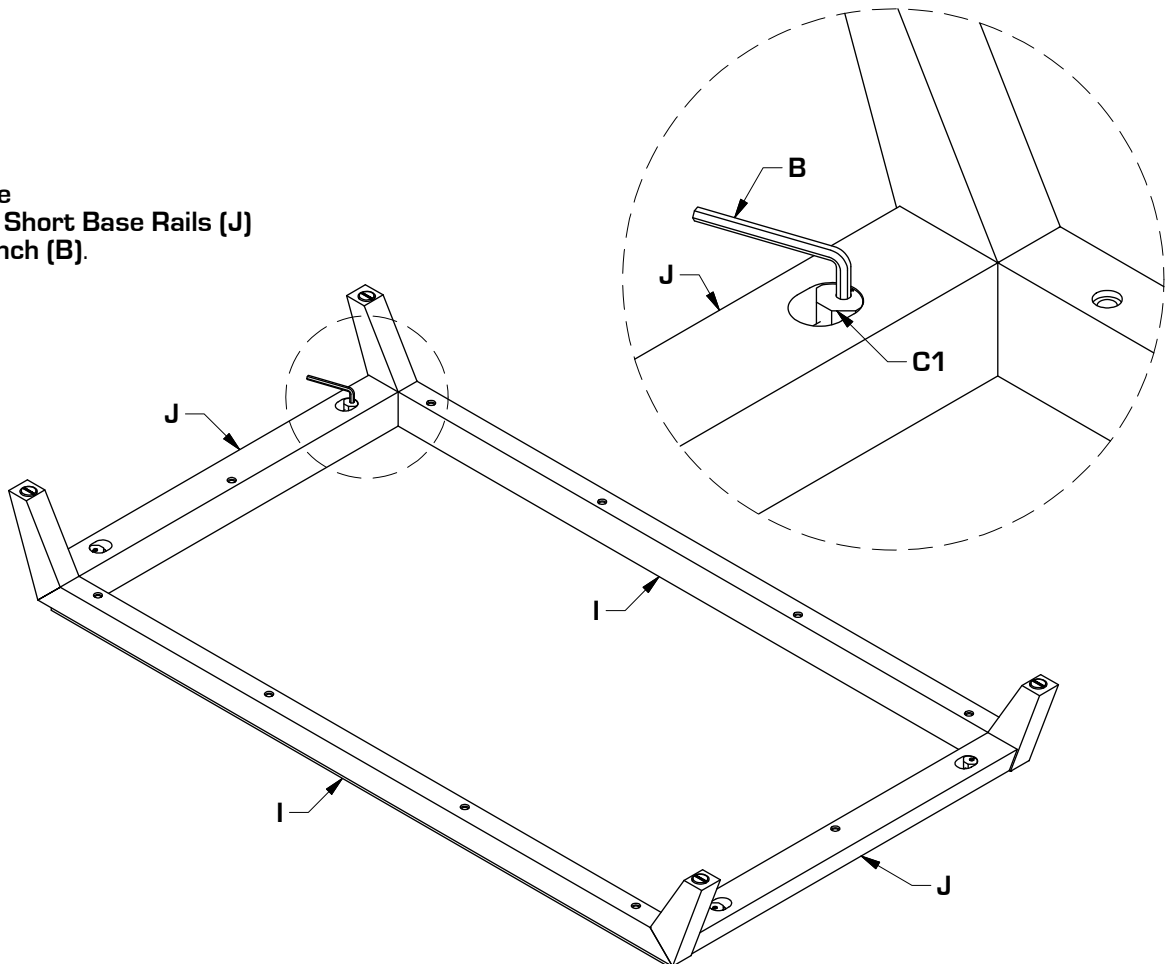
Insert short threads of **Cam Bolt (C2)** into inserts in **Long Base Rails (I)**. Turn **Cam Bolts (C2)** by hand COUNTERCLOCKWISE to tighten. Insert **Dowels (D)** into **Long Base Rails (I)**. Insert **Cams (C1)** into **Short Base Rails (J)** with arrow pointing toward **Long Base Rail (I)**.



Step 2

Tighten Cams in Base

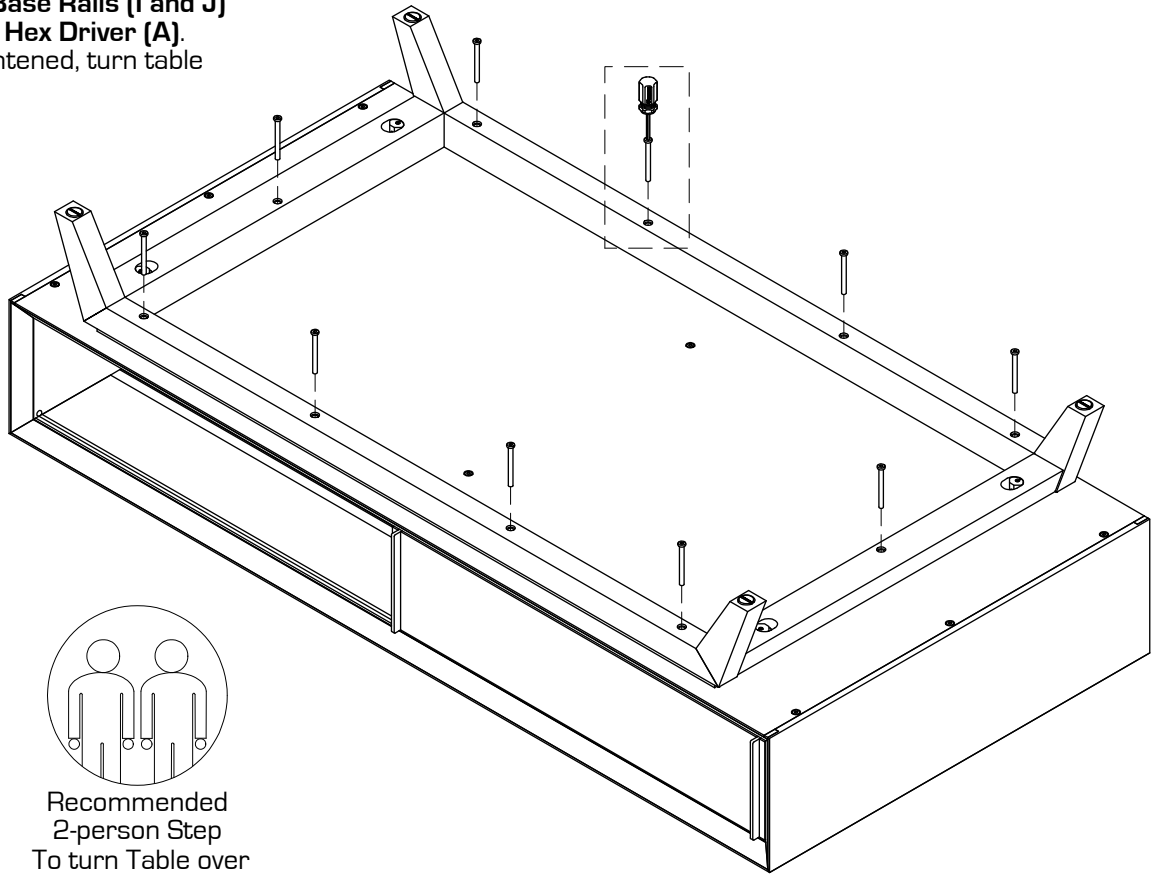
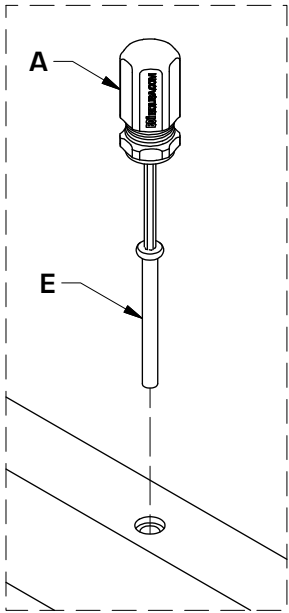
Tighten **Cams (C1)** in **Short Base Rails (J)** using **5mm Hex Wrench (B)**.



Step 3

Attach Base to Table Bottom

Place assembled base onto table bottom. Insert **Screws (E)** into **Base Rails (I and J)** and tighten using **4mm Hex Driver (A)**. After all screws are tightened, turn table over right side up.



Recommended
2-person Step
To turn Table over

Eras 1446 End Table Only

Step 4

Attach Handle

Attach **Handle (G)** to Drawer using **Screws (F)** and tighten with **Phillips Screwdriver (A2)**.

