

Romeo Soft S - Specification Sheet
by Philippe Starck, 1996

Mounting

Lamp (Bulb) Description	1 x 150W A-21 Medium Frosted Incandescent
Environment	Indoor - Dry Location
Finish	Plisse Cloth
Technical and Product Description	ROMEIO SOFT S pendant lamp providing diffused light. Acid-etched pressed borosilicate glass internal diffuser. Plissé cloth shade. Injection-molded transparent polycarbonate diffuser support. Transparent, stamped polycarbonate dust protection screen. White, injection-molded ABS rose, galvanized pressed steel ceiling fitting. Steel suspension cables. Polarized double-insulated PTFE cord.

Electrical

Voltage	120
Switching	NA

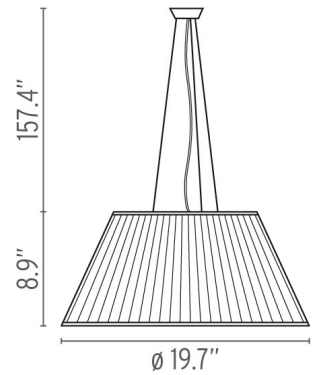
Physical

Construction Material	Fabric, Glass, Polycarbonate
Weight	7.5 lbs



FU611007 Plisse Cloth

Dimensional Image



Certifications



Lamping (Bulb)



150W A-21 Medium Frosted Incandescent

