

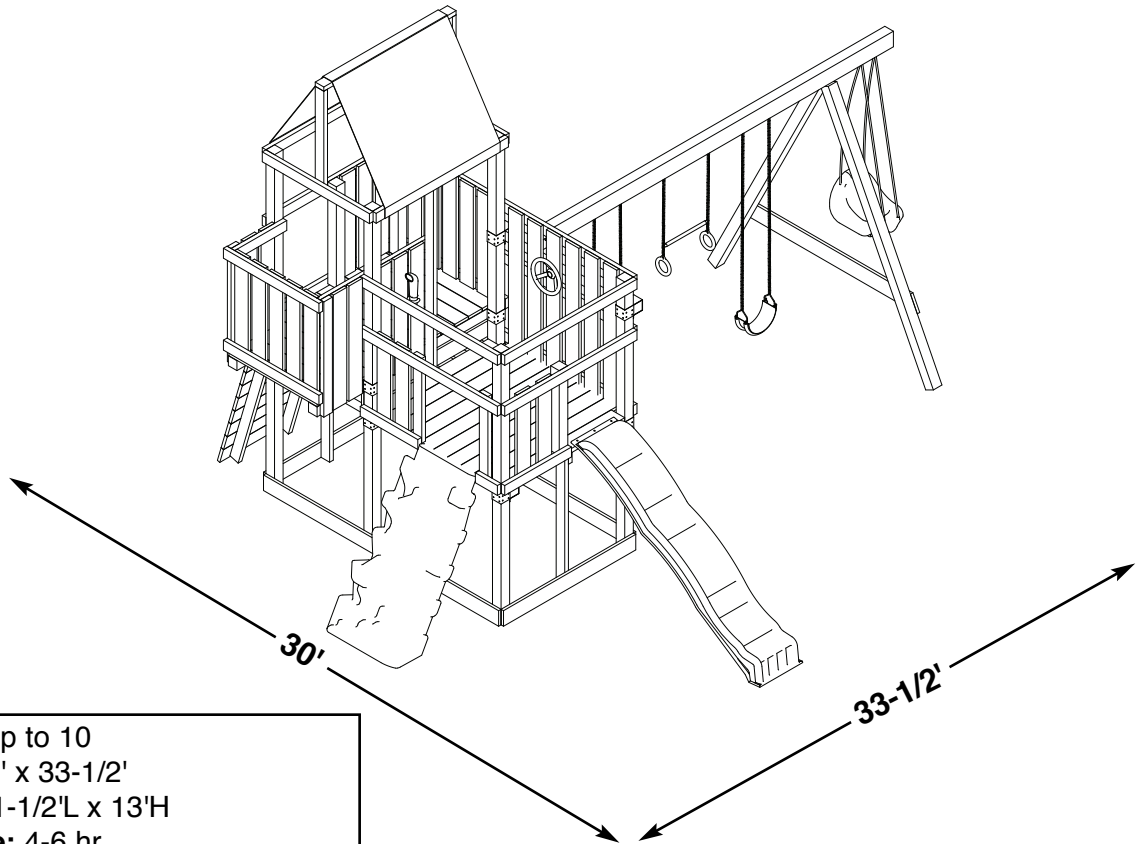


A PLAYCORE Company

NE 5010

PROJECT 512

ASSEMBLY INSTRUCTIONS



No. of Children: Up to 10
Min. Use Zone: 30' x 33-1/2'
Set Dim. 17'W x 21-1/2'L x 13'H
Est. Building Time: 4-6 hr.

IMPORTANT!!

PLEASE READ BEFORE BEGINNING ASSEMBLY!!

Please make sure all lumber, hardware and accessory parts are accounted for. If you are missing anything, please **DO NOT RETURN** to the store where purchased. Please call our Customer Service Department at the number below.

To register your product visit:

<http://www.swing-n-slide.com>

Other benefits include information on product warranties, assembly plan updates, joining our mailing list for new products and promotions, receiving our newsletter, and providing feedback on products.

Swing-N-Slide • 1212 Barberry Drive • Janesville, Wisconsin 53545
Visit our web site at: www.swing-n-slide.com or call us at

1-800-888-1232



A PLAYCORE Company

Safety Checklist for Swing-N-Slide Play Sets and Accessories

Observing the following statements and warnings reduces the likelihood of serious or fatal injury

Installation Safety – Have You:

- Consulted the assembly instructions supplied with your particular model?
- Noted this accessory is to be used only on Swing•N•Slide approved designs? (Do not alter its design or add/remove components.)
- Made sure all hardware is tightened securely? (Supplied bolt covers must also be fastened securely.)
- Using a hacksaw, cut off all protruding threaded ends of bolts and other fasteners and remove any sharp edges with a metal file as needed, and coated fastener ends with lead free paint?
- Placed the equipment on level ground, not less than six feet (1.8 meters) from any structure or obstruction such as a fence, garage, house, overhanging branches, laundry lines, or electrical wires?
- Made sure home playground equipment is not installed over concrete, asphalt, packed earth or any other hard surface? (A fall onto a hard surface can result in serious injury to the equipment user.)
- Verified that suspended climbing ropes, chain, or cable are secured at both ends?
- Consulted in assembly instructions of your particular model for minimum use zones?
- Used a water sealant on your play set to protect the wood and prevent cracking and warping?
- Followed all anchoring and shock absorbing surfacing requirements on the back of this sheet as they apply?
- Made sure not to allow children to use equipment until it is properly installed?
- Made sure to adjust all swings so there is a minimum 8" clearance between the swing and the ground surface?

Operating Safety – Have You:

- Determined that on-site adult supervision is provided for children of all ages?
- Warned children the following before allowing them to use the equipment?
 - Not to walk close to, in front of, behind or between moving items.
 - Not to twist swing or any other accessory chains or ropes or loop them over the top support bar since this will reduce the strength of chain or rope.
 - Not to swing empty seats or other accessories.
 - Not to slide down swing chains.
 - Be sure to sit in the center of the swing seat and other accessories with full weight on the seat.
 - Not to attach items to the playground equipment that are not specifically designed for use with the equipment such as but not limited to, jump ropes, clotheslines, pet leashes, cables and chain. They may cause a strangulation hazard.
 - Not to climb or walk on the top of swing beams, railings or roof.
 - Not to use equipment in a manner other than intended.
 - Not to get off equipment while it is in motion.
 - Not to climb on the equipment when it is wet.
 - Be sure to go down slides feet first.
- Determined that only one child per planned occupant seat should be allowed on this set at one time.
- Determined children must be dressed appropriately for play. Avoid hooded jackets, bicycle helmets, clothing with draw strings and loose fitting clothes which could become entangled or snagged on equipment.
- Determined that suspended climbing ropes, chain, or cable cannot be looped back upon itself.
- Made certain the slide is placed so that it is not in direct sunlight.

Safety Maintenance – At the beginning of every season and twice monthly thereafter:

- Rake and check depth of loose fill protective surfacing material to prevent compaction and maintain appropriate depth. Replace as necessary.
- Check all nuts, bolts and C-Links during the usage season for tightness and tighten as required. (It is particularly important that this procedure be followed at the beginning of each season.)
- To prevent the deterioration of materials, remove plastic swing seats and other plastic accessories when outdoors temp dips down to or below 32° F and take indoors.
- Oil all metallic moving parts monthly during usage period.
- Check all hardware and equipment for sharp edges during usage season. (Replace when necessary. It is especially important to do this at the beginning of each new season.)
- Check swing seats, chains, ropes and cables monthly during usage season for evidence of deterioration. Severe rusting or excessive wear, especially near the top swing hanger or at the seat connection are evidence of chain deterioration. Cracks in the protective plastic sleeve or seat itself are also signs of deterioration. If any of these conditions exist, call 1-800-888-1232 to order replacement accessories.
- Sand rusted metal parts and repaint using non-lead based paint.
- Check all wood members for deterioration and splinters. Sand down splinters and replace deteriorating wood members.

Disposal Instructions

When the equipment is taken out of service, it must be disassembled and disposed of in such a way that no unreasonable hazards will exist at the time the set is discarded.

**Important! Additional Safety Instructions for all Swing-N-Slide Playground Equipment.
Save this instruction sheet in the event the manufacturer needs to be contacted.**

This product is intended for single family home/residential use only and not intended for use in any public setting. Placement in any public setting constitutes a misuse of this product.

IMPORTANT!

ADDITIONAL REQUIRED SAFETY INSTALLATION INSTRUCTIONS

According to ASTM requirements, all kits must be anchored to the ground and, if the unit has a climbing rope, the rope end must be anchored to the ground. If soil conditions permit stakes to be pulled out easily, cementing into ground is necessary.

- **To anchor the unit to the ground.** Follow the instructions included in this plan for applying Anchor-It devices to your unit, or use 2" x 4" x 18" (45mm x 95mm x 457mm) pressure-treated stakes. Pound stakes into ground at least 12" (305mm) at all inside corners of the posts (including A-frame legs and climbing unit posts). Attach with four (4) 16D (3-1/2") galvanized nails per stake into each tower and/or A-frame upright.
- **If the unit has a climbing rope,** anchor the rope end.
- **Once the unit is completely assembled and before children are allowed to play on it, proper shock-absorbing surfacing material must be installed.** This may be accomplished by using loose-fill materials at a sufficient depth. The Consumer Product Safety Commission "Handbook for Public Playground Safety" lists the following materials and required depths that are sufficient for home/residential application. For fall height protection up to 9 ft. (2.742m) [recommended for Swing•N•Slide kits]:

LOOSE FILL MATERIAL

Wood Mulch
Double Shredded Bark Mulch
Uniform Wood Chips
Fine Sand
Fine Gravel

REQUIRED (UNCOMPRESSED) DEPTH¹ in. (mm)

9" (229mm)
9" (229mm)
12" (305mm)
12" (305mm)
12" (305mm)

These depths were derived from the CPSC Handbook. Swing•N•Slide has not done independent tests to determine these required depths.

When properly installed, shock absorbing material will completely cover the horizontal baseboards on climbing units. This protective surfacing must extend a **minimum** of 6 ft. (1.828m) in all directions from the perimeter of the equipment or from the outermost edges of any component. For example, a slide extending beyond the platform must have protective surfacing at least 6 ft. (1.828m) out from both sides as well as the end. For swings, the protective surface must extend **at least 14 ft. (6m)** out from **both** the back and front of the swing when the swing is in its rest position.

For further information on playground safety, the Consumer Product Safety Commission (CPSC) publishes the Outdoor Home Playground Safety Handbook which can be downloaded for free from www.cpsc.gov. An additional resource is the American Society of Testing and Materials (ASTM) Standard Consumer Safety Performance Specification for Home Playground Equipment (ASTM F1148) which can be purchased and downloaded from www.astm.org.

Swing-N-Slide® MANUFACTURERS LIMITED WARRANTY

Swing-N-Slide® takes great pride in the quality and durability of our products. Our Manufacturer's Limited Warranty provides confidence and demonstrates our commitment to providing quality residential playground products.

MANUFACTURER'S LIFETIME LIMITED WARRANTY

Swing-N-Slide® warrants its thermoformed slides and climbing mountains to be free from defects in workmanship and materials, under normal use and conditions, for the lifetime of the product.

MANUFACTURER'S 5 YEAR LIMITED WARRANTY

Swing-N-Slide® warrants its Custom Ready-to-Build Play Set kits and accessories to be free from defects in workmanship and materials, under normal use and conditions, for a period of 5 years.

MANUFACTURER'S 5 YEAR LIMITED WARRANTY

Swing-N-Slide® warrants its No-Cut and Wood Complete Ready-to-Assemble Play Set kits against wood rot and termite damage, and to be free from defects in workmanship and materials, under normal use and conditions, for a period of 5 years for structural wood components.

Cosmetic defects that do not affect the structural integrity of the product, or natural defects of wood such as warping, splitting, checking, twisting, shrinkage, swelling or any other physical properties of wood that do not present a safety hazard, are not covered by this warranty.

MANUFACTURER'S ONE YEAR WARRANTY

Swing-N-Slide® warrants its canopy roofs and/or tarps, and Timber GLOVE lumber wrap to be free from defects in workmanship and materials, under normal use and conditions, for a period of one year.

Swing-N-Slide® will repair, or at its discretion, replace any part within the stated warranty period which is defective in workmanship or materials. This decision is subject to verification of the defect upon delivery of the defective part to Swing-N-Slide® at 1212 Barberry Drive, Janesville, Wisconsin, 53545. Any part(s) returned to Swing-N-Slide® must have prior approved Return Authorization Number and proof of purchase, including the date of purchase. This warranty is valid only if the product is used for the purpose for which it was designed and installed at a residential, single family dwelling. This warranty is void if the product is put to commercial or institutional use. This warranty does not cover (a) products which have been damaged by acts of Nature, negligence, misuse, or accident, or which have been modified or repaired by unauthorized persons; (b) the cost of labor; or the cost of shipping the product, any part, or any replacement product or part.

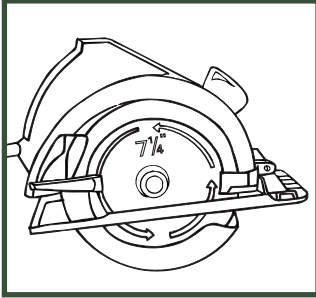
Swing-N-Slide® DISCLAIMS ALL OTHER REPRESENTATIONS AND WARRANTIES OF ANY KIND, EXPRESS, IMPLIED, STATUTORY OR OTHERWISE, INCLUDING THE IMPLIED WARRANTIES OF MERCHANTABILITY AND FITNESS FOR A PARTICULAR PURPOSE. Swing-N-Slide® WILL NOT BE LIABLE FOR ANY INCIDENTAL OR CONSEQUENTIAL DAMAGES. This warranty is non-transferable and does not extend to the owners of the product subsequent to the original purchaser. Some states do not allow limitations on implied warranties or exclusion of incidental or consequential damages, so these restrictions may not be applicable to you. This warranty gives you specific legal rights. You may also have other rights, which vary from state to state.

This warranty also does not apply to:

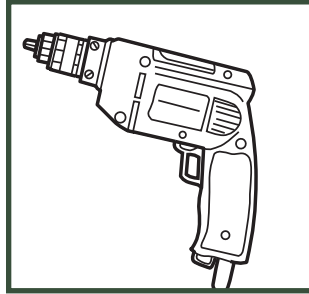
- Structures not erected, maintained or inspected in conformance with **Swing-N-Slide®** installation plans
- Structures that have had parts added or substituted not in conformance with **Swing-N-Slide®** installation plans
- Parts that have been modified, altered or misused
- Parts that have not been used as designed or intended
- Damage due to acts of Nature, vandalism, abnormal use or abuse as determined by **Swing-N-Slide®**

PROJECT 512

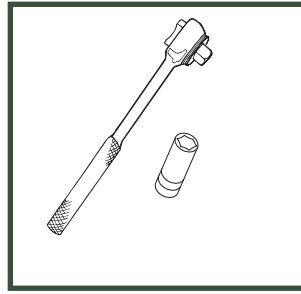
TOOLS REQUIRED



CIRCULAR SAW



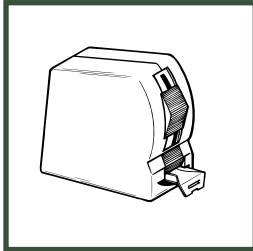
ELECTRIC DRILL



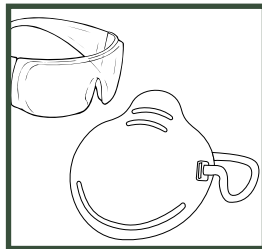
1/2" SOCKET & WRENCH



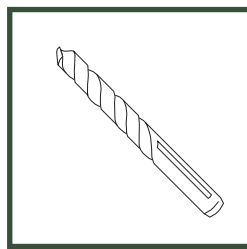
HAMMER



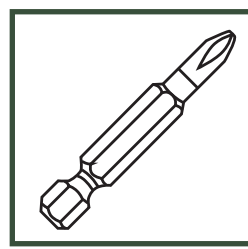
TAPE MEASURE



SAFETY GLASSES
& DUST MASK



3/8" DRILL BIT (6" Min.)



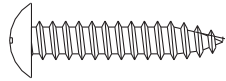
PHILLIPS BIT



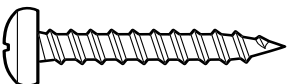
CARPENTER'S SQUARE



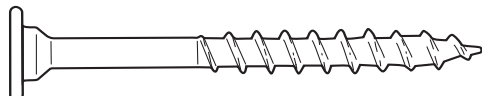
(2) 1/2" panhead screws



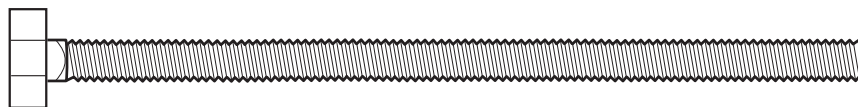
(4) 1" Truss Screw



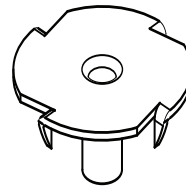
(8) 1-3/4" panhead screws



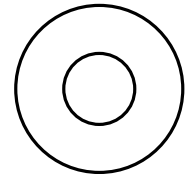
(111) 2" lag screw



(2) 5-1/2" Bolts



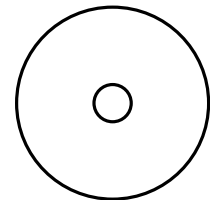
(6) T- nuts



(18) 5/16" flat washers



(8) 1/4" flat washers



(6) Tarp Washers

**PURCHASED
SEPARATELY**



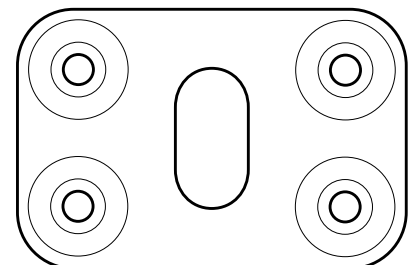
(64) 1-1/4" screws



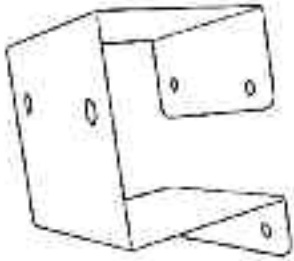
(127) 2" screws



(453) 2-1/2" screws

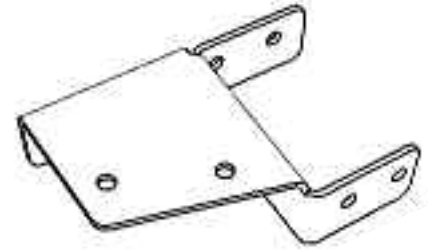


(4) Clamp Slotted

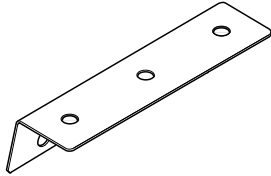


(12) Shelf-Loc

**Rapid
Loc**
System

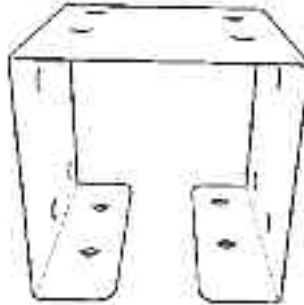


(2) Split Beam bracket



(8) Step Brackets

Note: (4 Left, 4 Right)



(12) Wrap-Loc



(2) EZ Frame Brackets



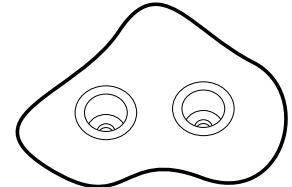
(1) Name Plate

THIS PRODUCT IS
INTENDED FOR USE
BY CHILDREN FROM
AGES 2-10 YEARS

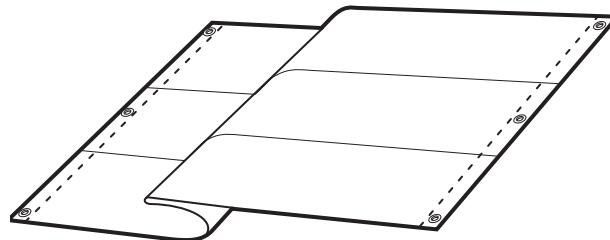
For Home / Residential
Use ONLY

Swing-N-Slide

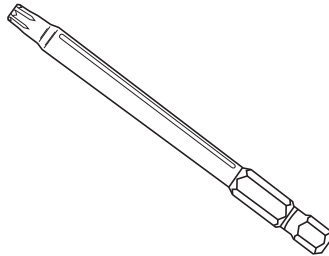
1212 Barberry Drive
Janesville, WI 53545
1-800-888-1232
www.swing-n-slide.com



(4) Climbing Rocks
with Hardware



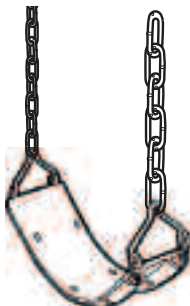
(1) Multicolor Tarp



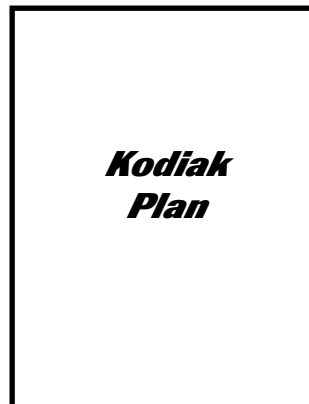
(1) T30 Torx® Bit



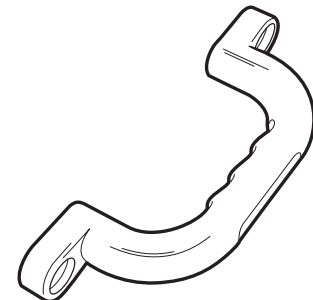
(4) Swing Hangers



(2) Swing Seats
weight limit: 115 lbs.



(1) Plan

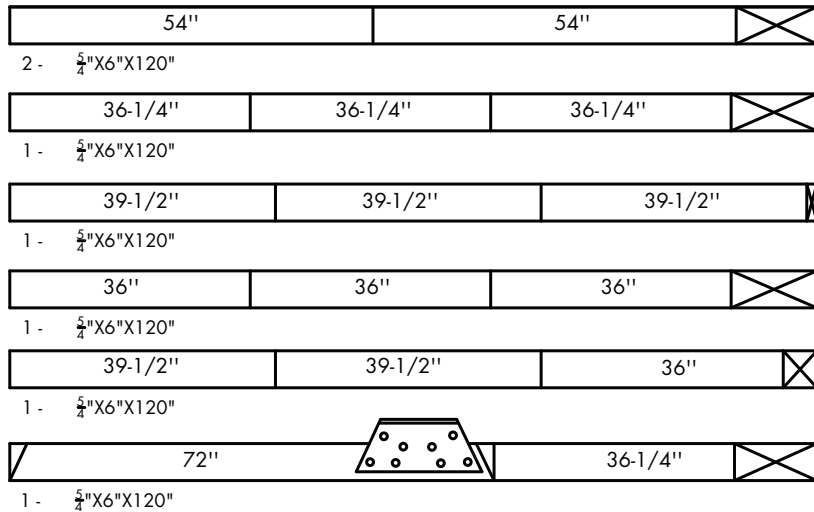
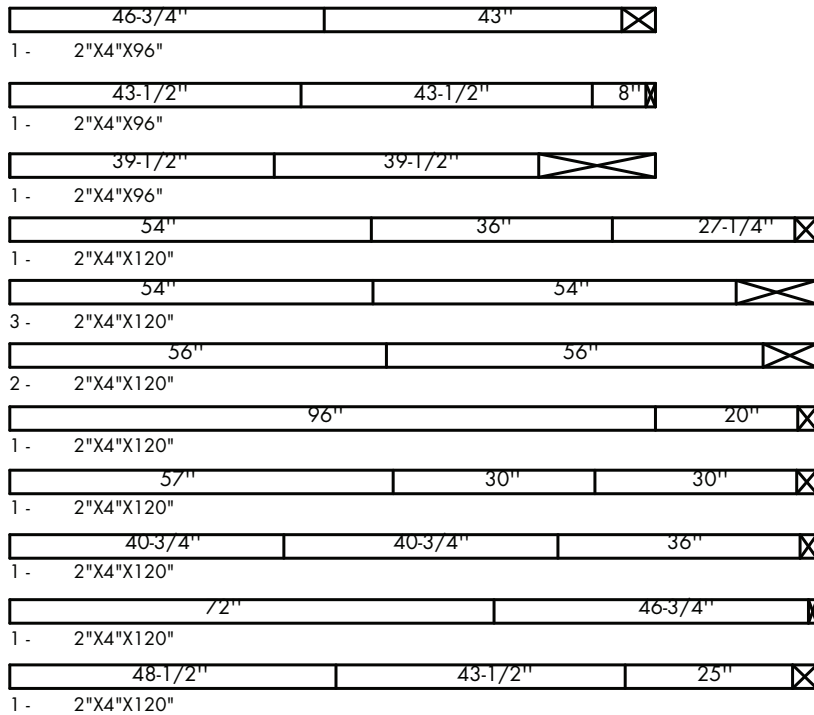


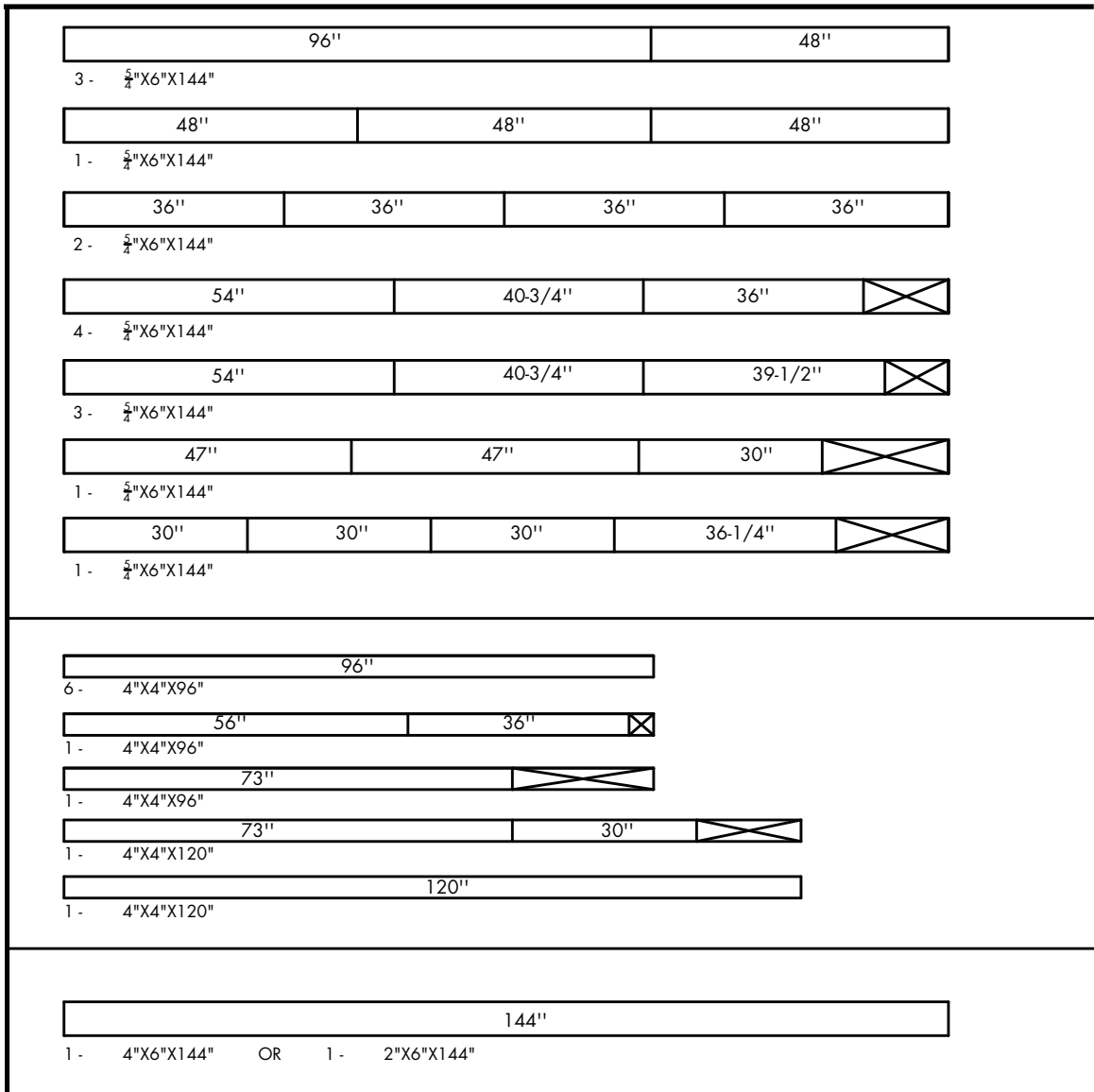
(4) Safety Handles

PROJECT 512

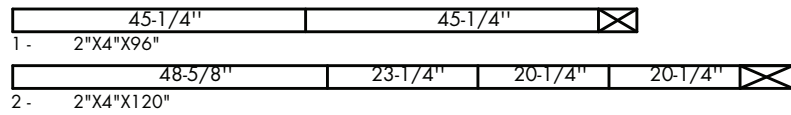
KODIAK 512

- | | |
|-------------------|--------------------|
| 3 - 2"X4"X96" | OPTIONAL LADDER |
| 11 - 2"X4"X120" | 1 - 2"X4"X96" |
| 7 - 5/4"X6"X120" | 2 - 2"X4"X120" |
| 15 - 5/4"X6"X144" | OPTIONAL ROCK WALL |
| 8 - 4"X4"X96" | 1 - 2"X4"X96" |
| 5 - 4"X4"X120" | 1 - 2"X4"X120" |
| 1 - 4"X6"X144" | 3 - 5/4"X6"X120" |
| OR | |
| 2 - 2"X6"X144" | |

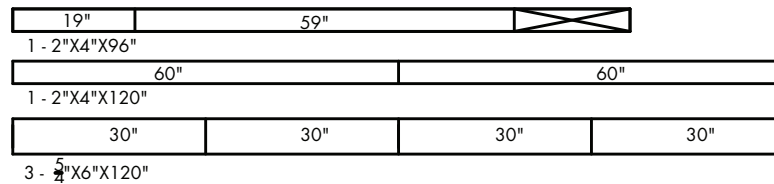




OPTIONAL LADDER



OPTIONAL ROCK WALL



PROJECT 512

How to select the correct fastener

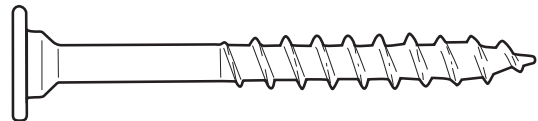
Use these 3 pictorial guides to help select the correct fastener(s) for the lumber attachment you are making. Each diagram will highlight the correct number of fasteners to use, and where to attach them.

5/4" x 6" to 4" x 4"



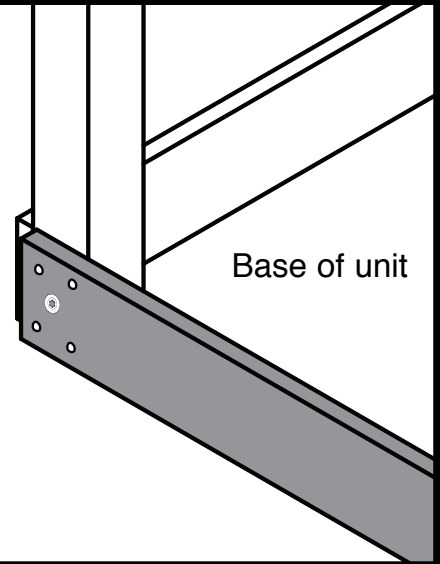
(4) 2-1/2" screws

Apply the 2-1/2" screws to secure the 5/4" boards to the 4" x 4" uprights as shown.



(1) 2" lag screw

After attaching the 2 1/2" screws, apply the center (1) 2" lag screw as shown for additional support.

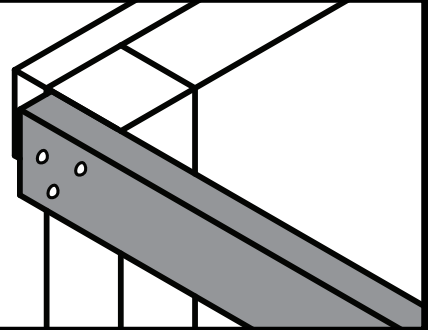


2" x 4" to 4" x 4"



(3) 2-1/2" screws

Apply 2 1/2" screws to the 2" x 4" boards when attaching to 4" x 4" uprights.

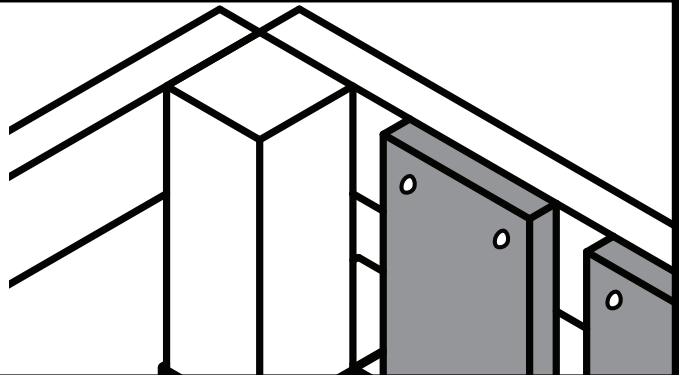


5/4" x 6 to 2" x 4"

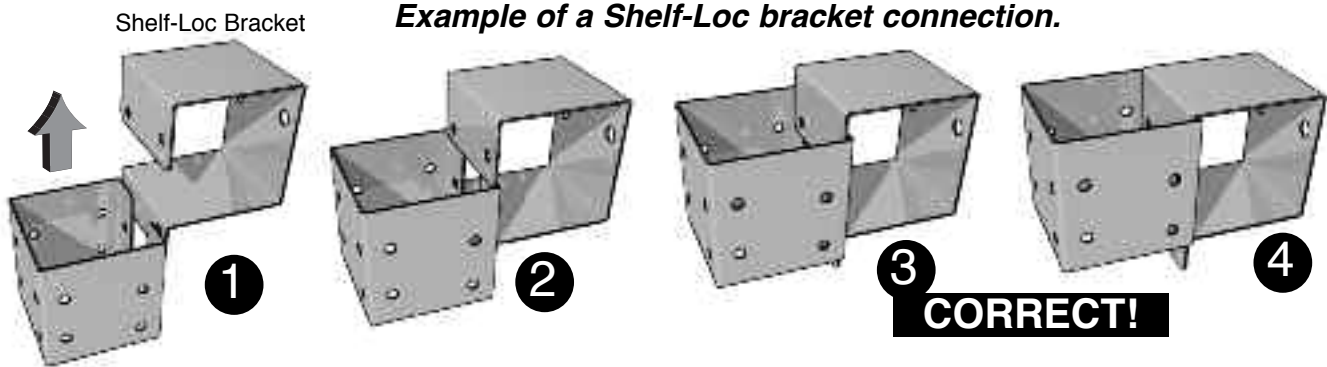


(2) 2" screws

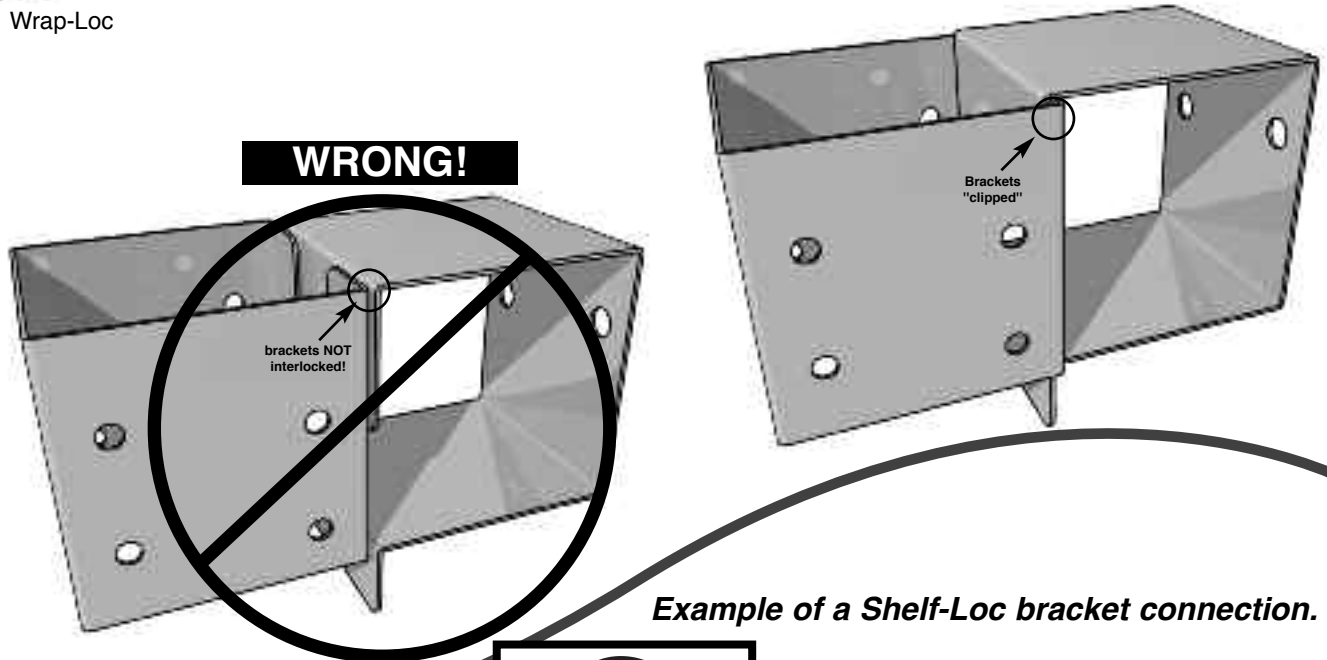
Use 2" screws when mounting 5/4" boards to 2" x 4" boards.



Understanding how the Bracket System Works



Example of a Shelf-Loc bracket connection.

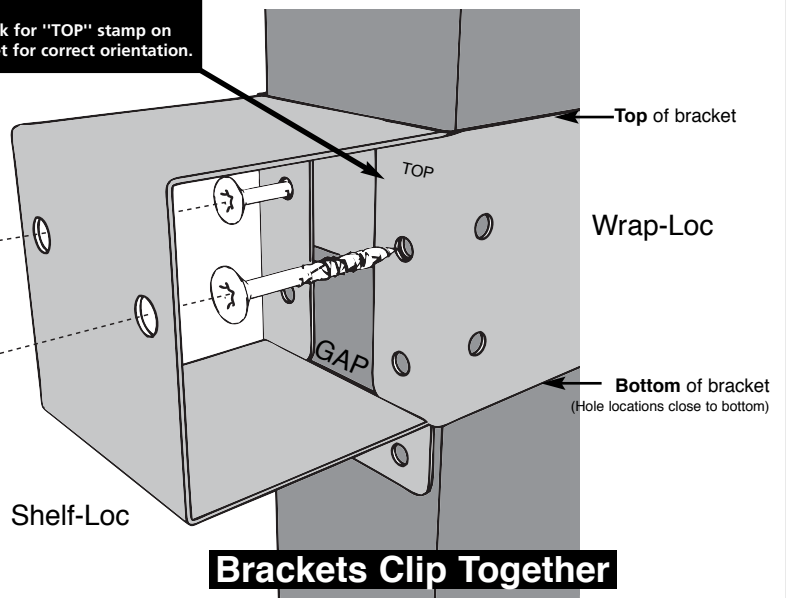


Example of a Shelf-Loc bracket connection.



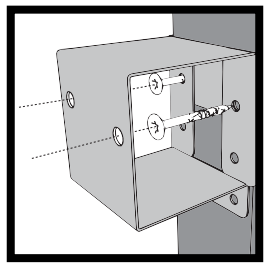
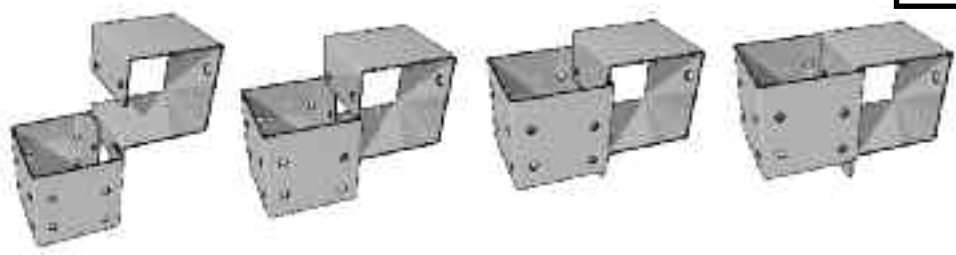
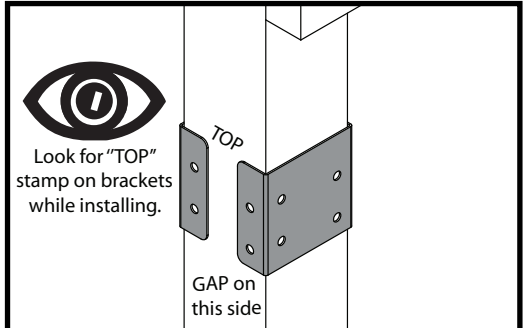
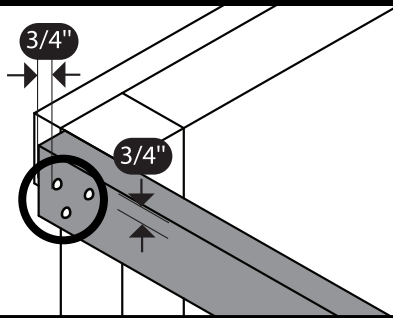
Introduction to the Bracket system

1. **ALWAYS** Use 2" lag screws on all brackets.
2. Brackets "clip" to each other. **NEVER** position in a non-interlocking position.



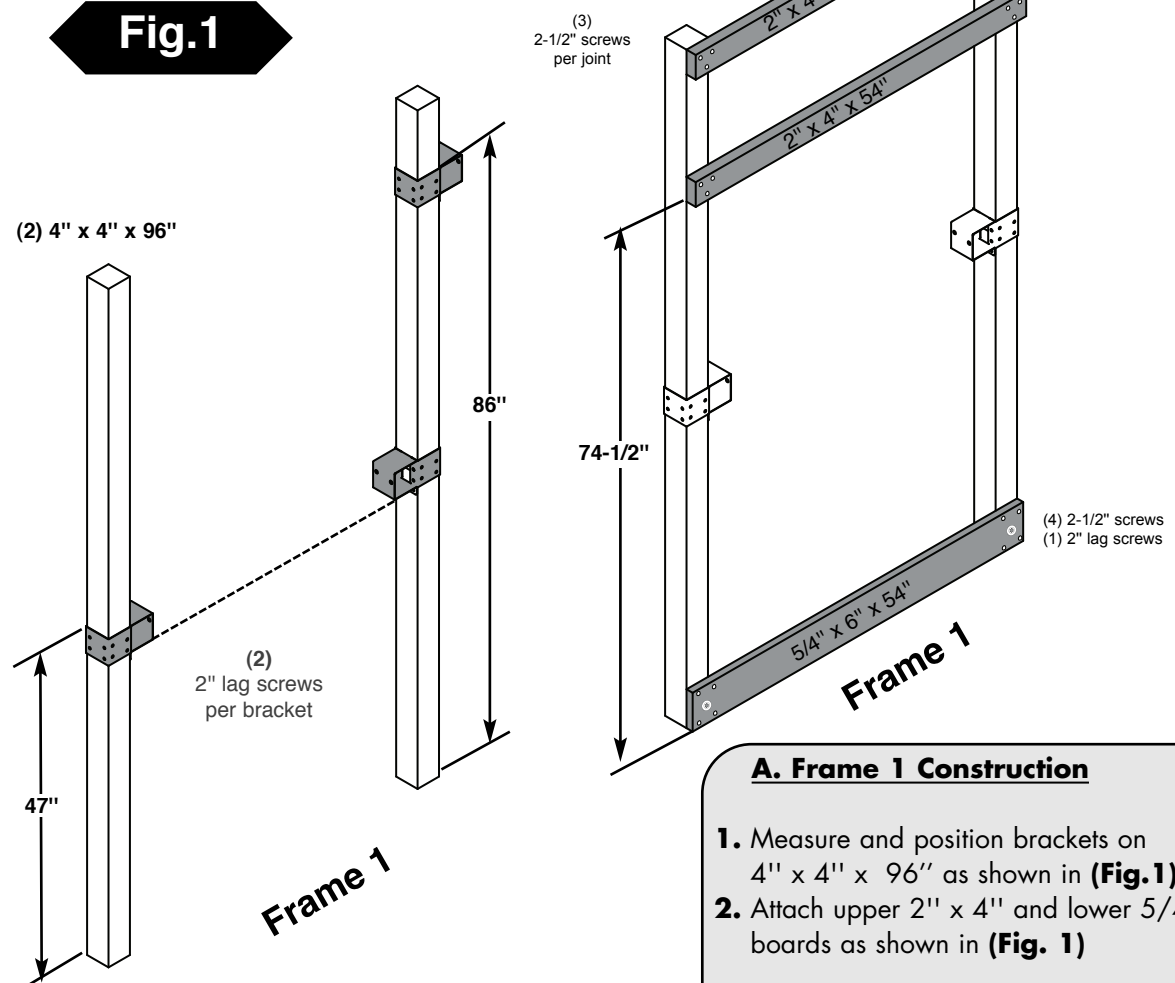
PROJECT 512

•WARNING•
Avoid splitting your lumber by offsetting your screws at least 3/4" from edge.

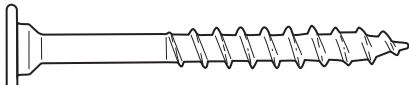


Frame 1 Construction

Fig.1



2" Lag screw



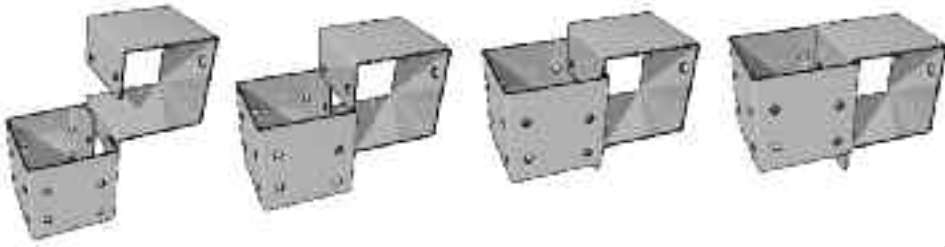
2-1/2" screw



A. Frame 1 Construction

1. Measure and position brackets on 4" x 4" x 96" as shown in (Fig.1).
2. Attach upper 2" x 4" and lower 5/4" boards as shown in (Fig. 1)

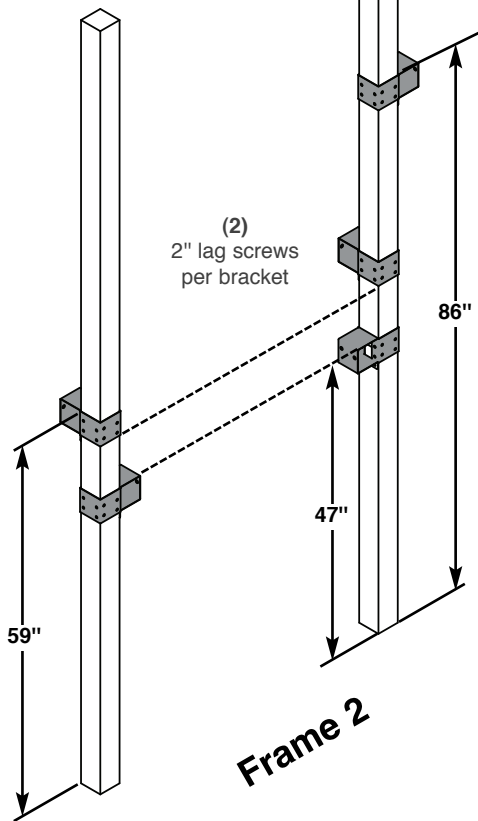
Note: Secure Shelf Lock with (2) Lag Screws only at this time.



Frame 2 Construction

Fig.2

(2) 4" x 4" x 120"



(2)
2" lag screws
per bracket

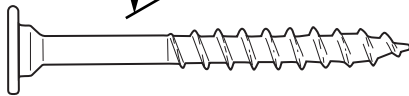
86"

47"

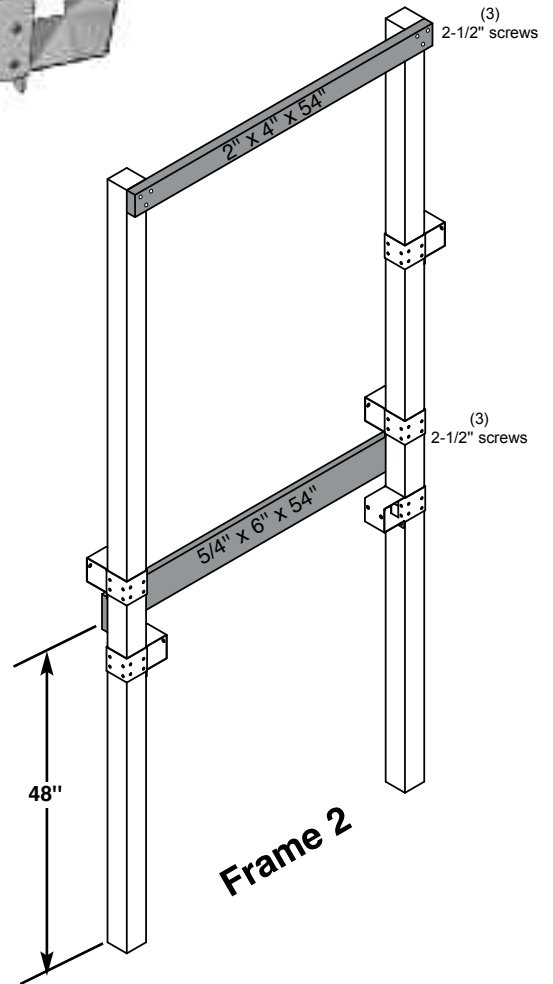
59"

Frame 2

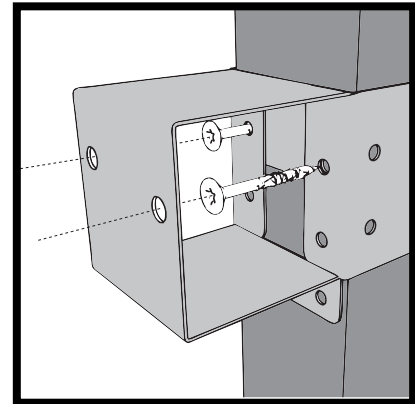
2" Lag screw



2-1/2" screw



Frame 2

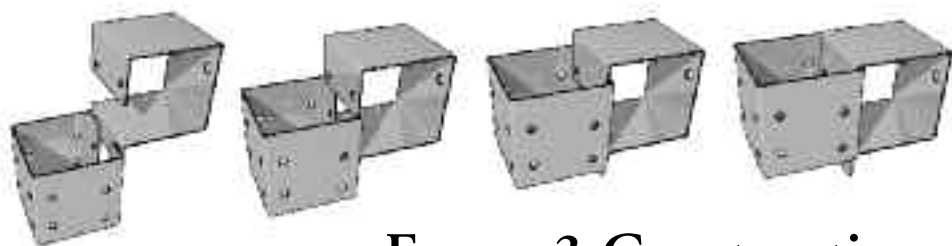


B. Frame 2 Construction

1. Measure and position brackets on 4" x 4" x 120" as shown in **(Fig.2)**.
2. Attach upper 2" x 4" and lower 5/4" boards as shown in **(Fig. 2)**

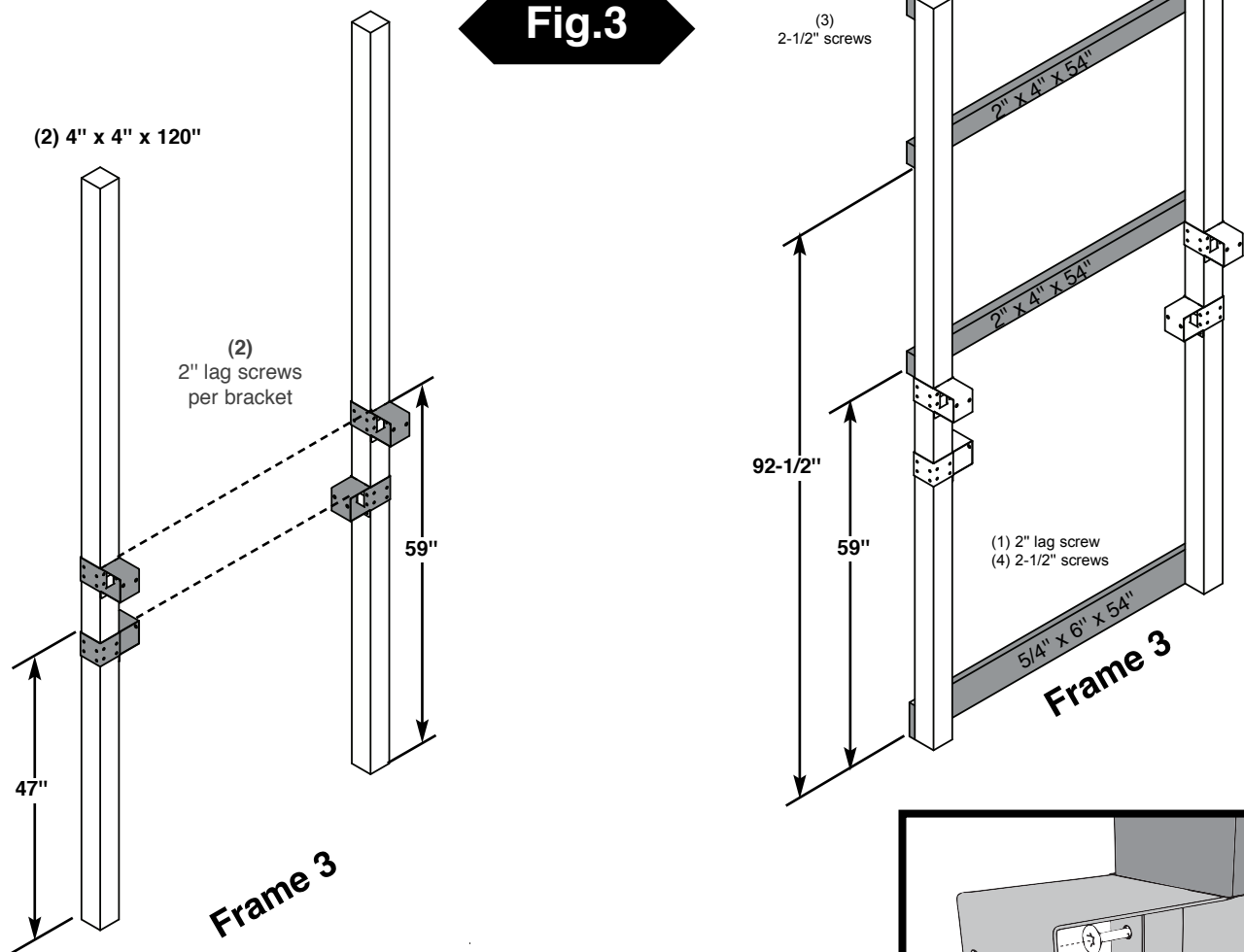
Note: Secure Shelf Lock with **(2) Lag Screws only** at this time.

PROJECT 512

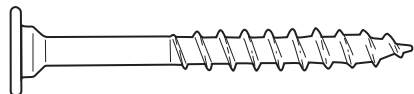


Frame 3 Construction

Fig.3



2" Lag screw



2-1/2" screw

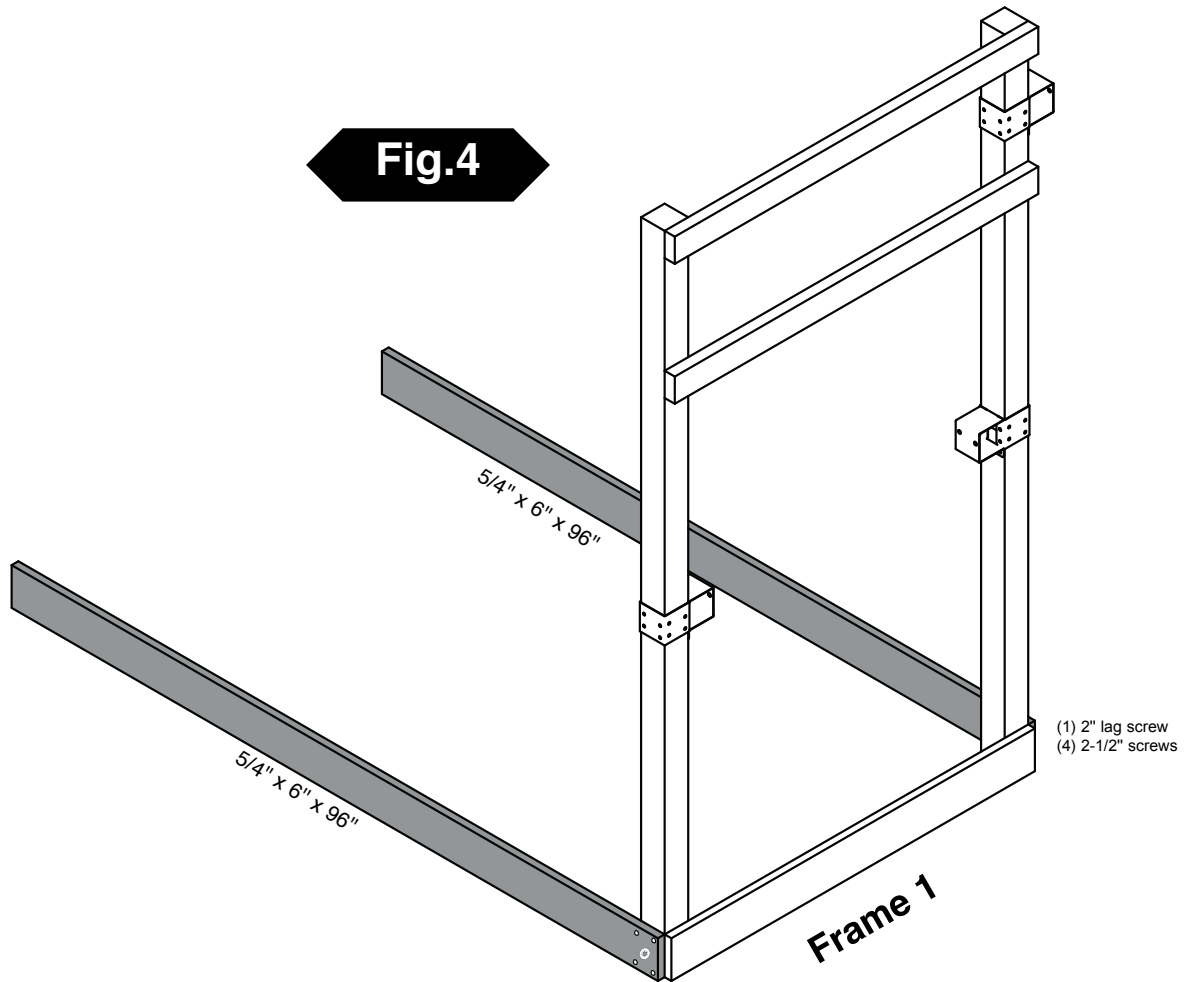


C. Frame 3 Construction

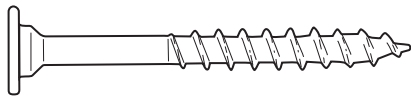
1. Measure and position brackets on 4" x 4" x 120" as shown in (Fig.3).
2. Attach upper 2" x 4" and lower 5/4" boards as shown in (Fig. 3)

Note: Secure Shelf Lock with (2) Lag Screws only at this time.

Fig.4



2" Lag screw



2-1/2" screw

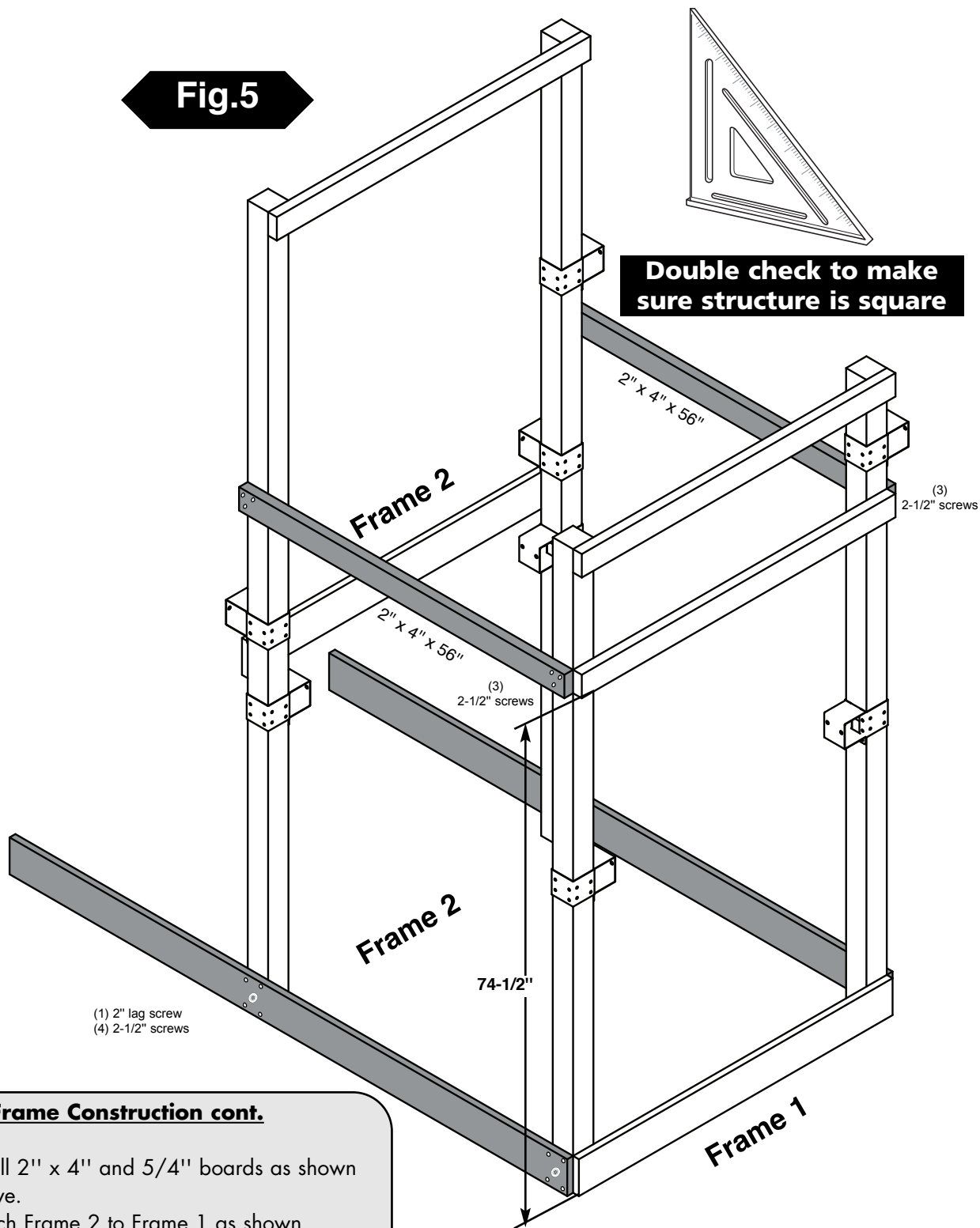


D. Frame Construction

1. Install 5/4" boards as shown above.

PROJECT 512

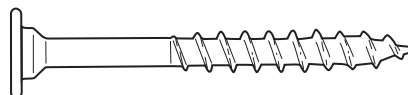
Fig.5



D. Frame Construction cont.

- 1.** Install 2" x 4" and 5/4" boards as shown above.
- 2.** Attach Frame 2 to Frame 1 as shown.

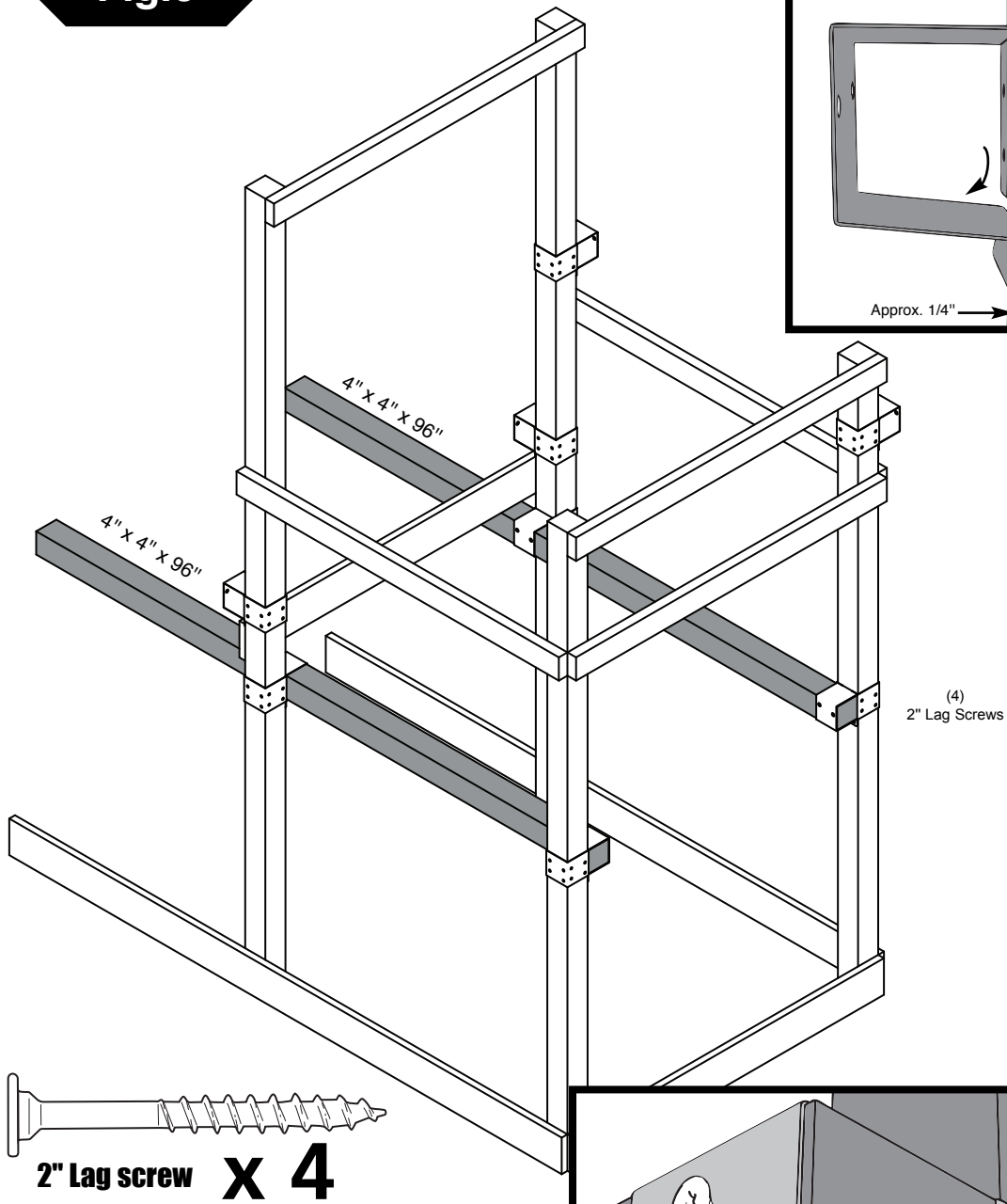
2" Lag screw



2-1/2" screw



Fig.6



Tip: Flex brackets to make installation of 4" x 4" easier

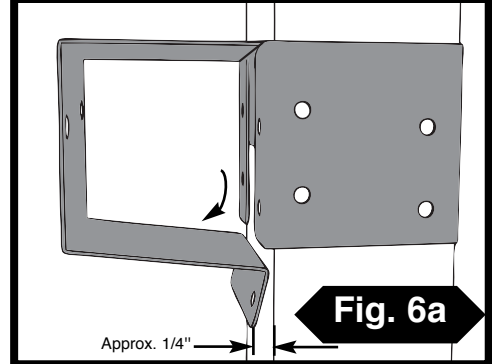
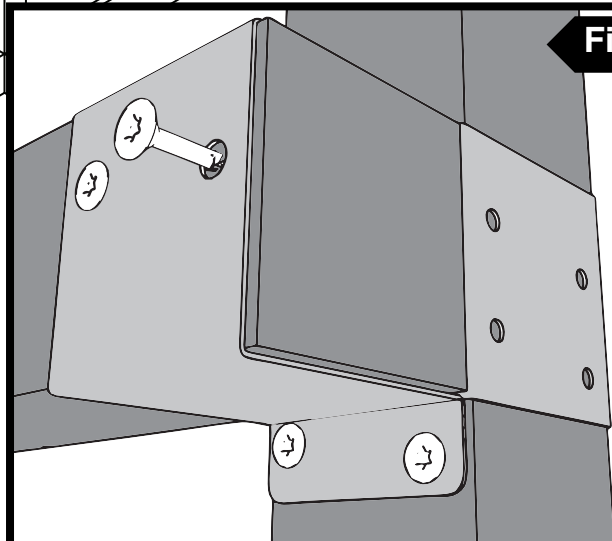


Fig. 6b

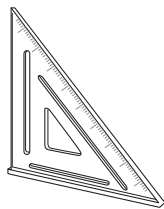


F. Install 4x4s

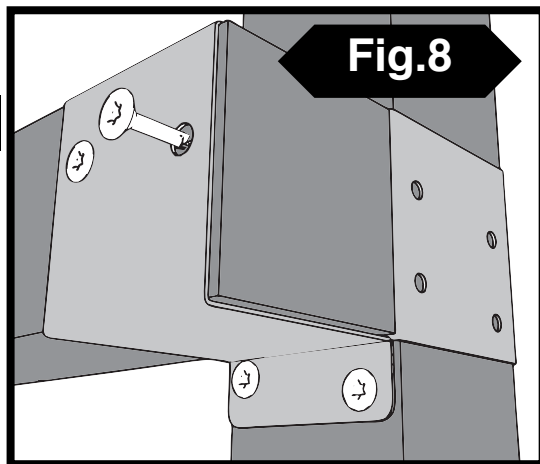
1. Work (2) 4" x 4" into brackets as shown in **(Fig. 6), (Fig 6a)**.
2. Secure brackets **(Fig. 6b)**.

PROJECT 512

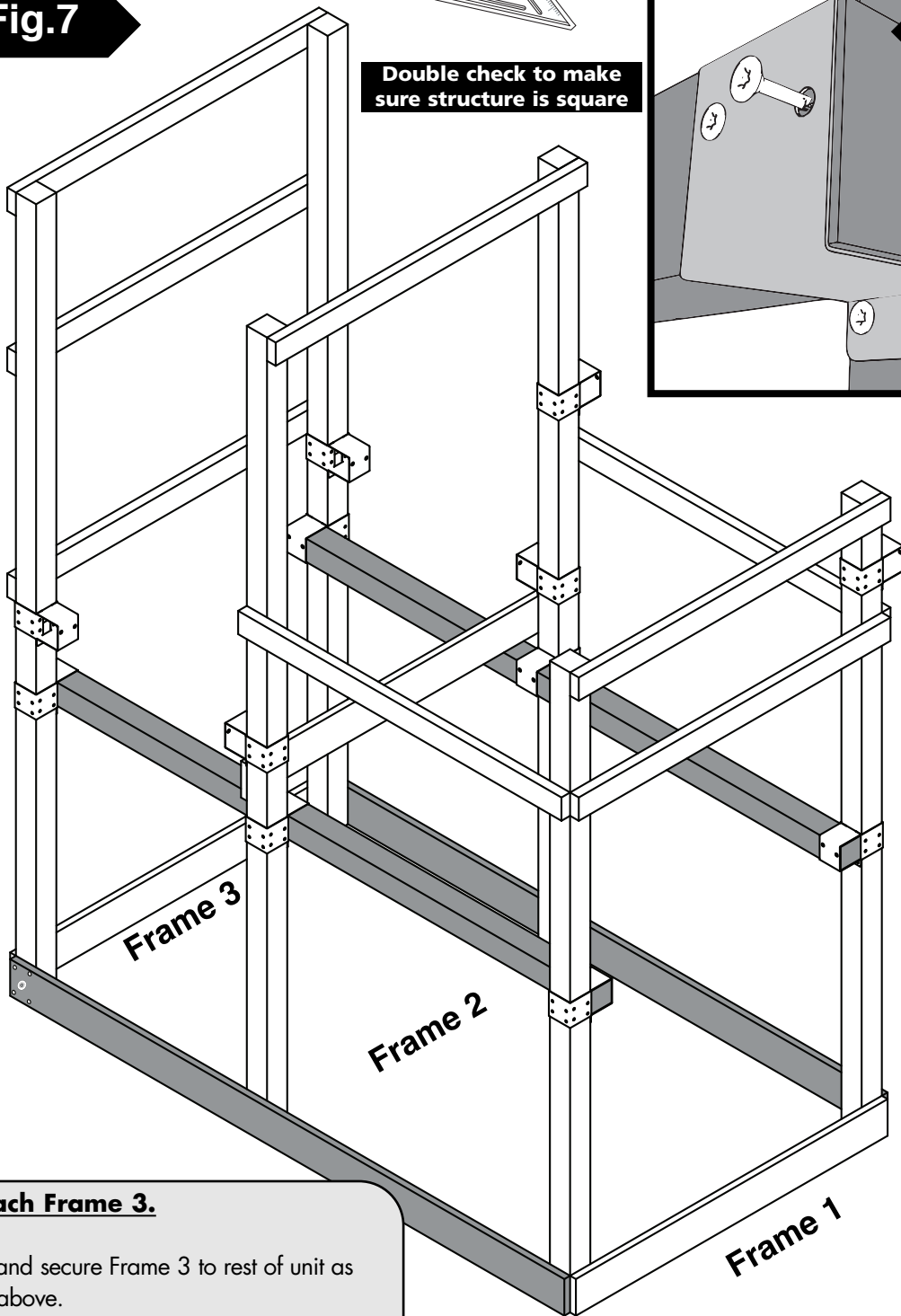
Fig.7



Double check to make sure structure is square



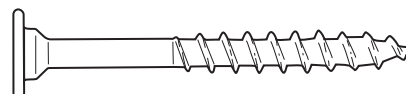
(1) 2" lag screw
(4) 2-1/2" screws



F. Attach Frame 3.

1. Attach and secure Frame 3 to rest of unit as shown above.

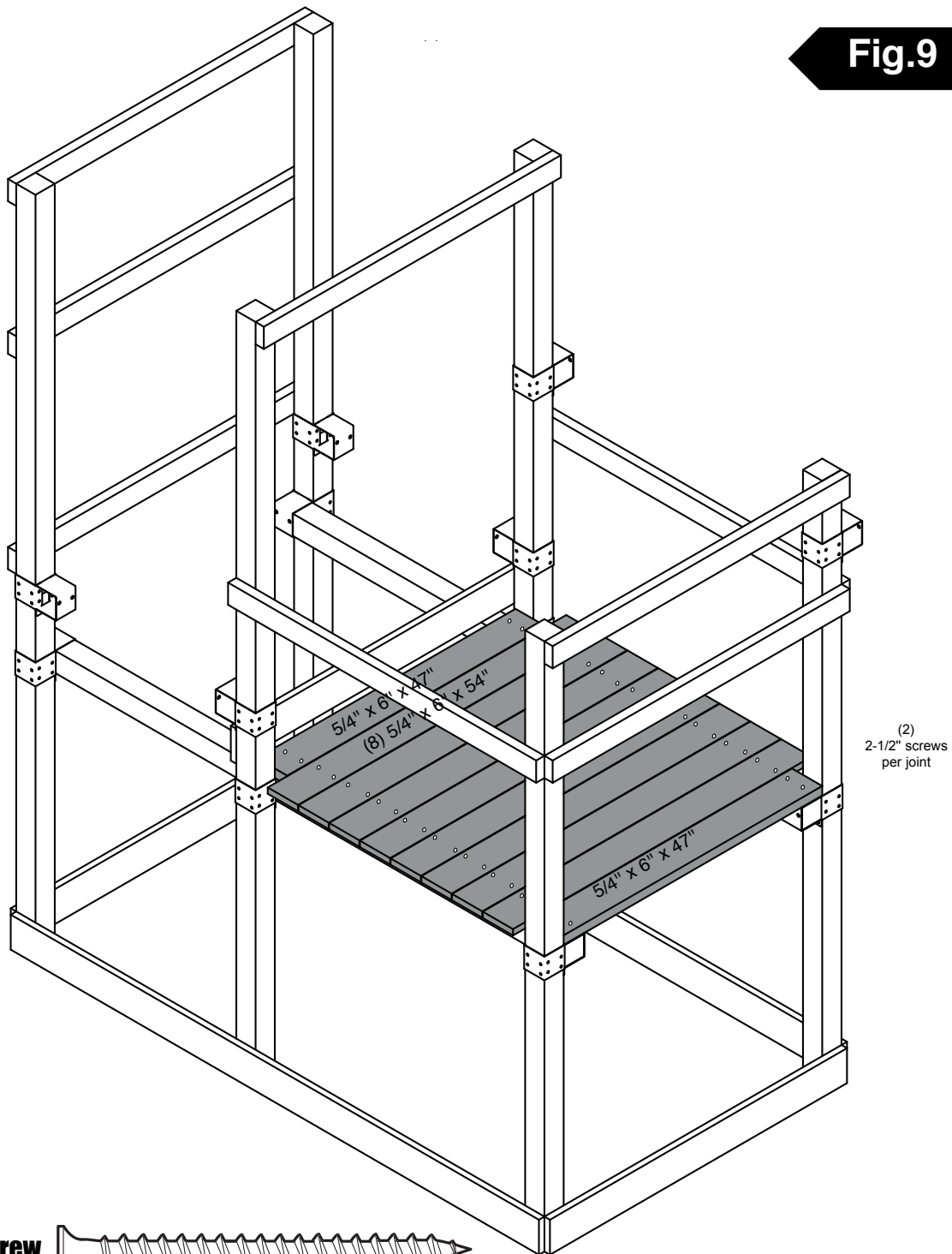
2" Lag screw



2-1/2" screw



Fig.9



2-1/2" screw

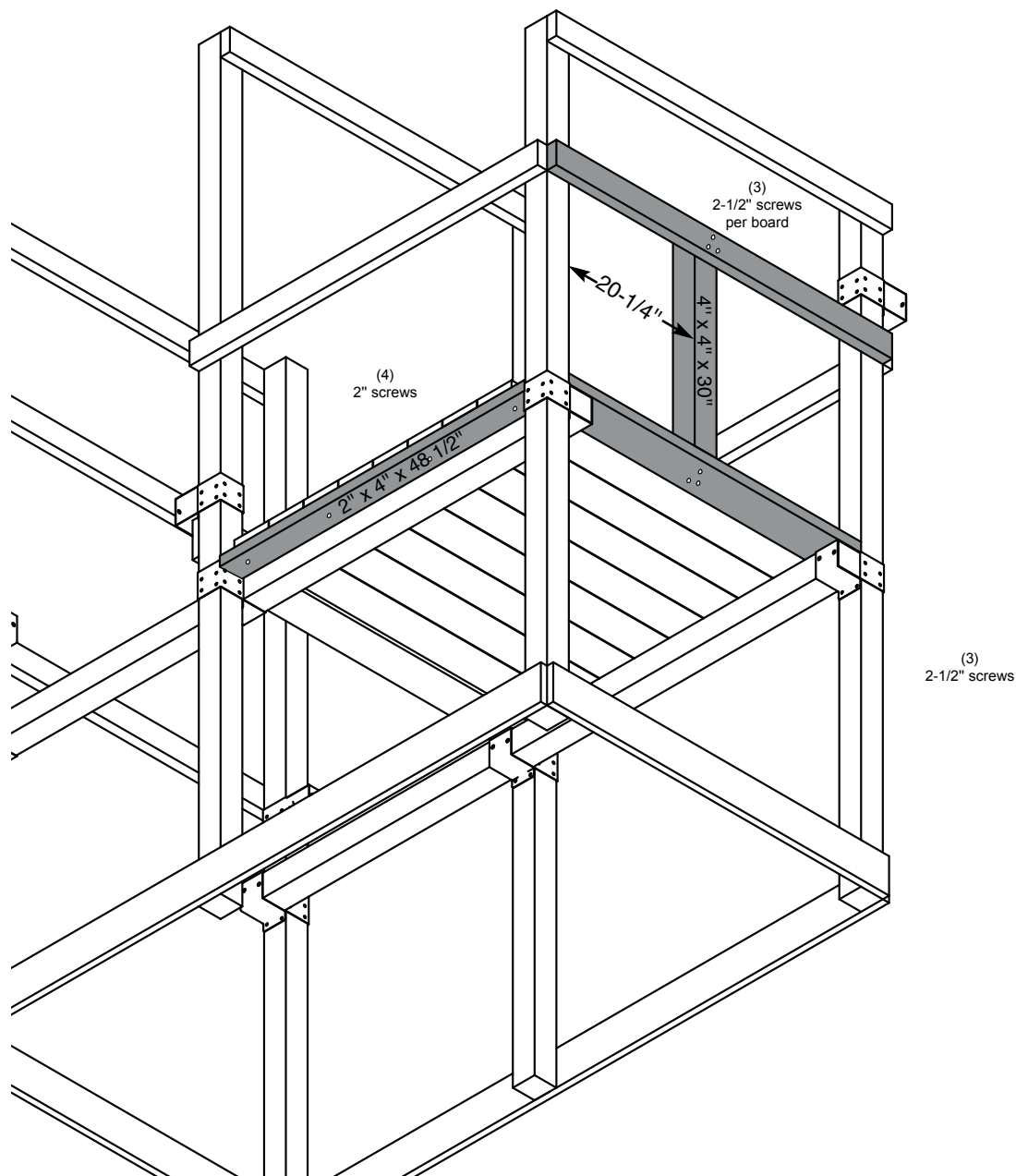


G. Install Deck Boards

1. Install 5/4" deck boards to structure as shown (**Fig. 9**).
2. Use two 2-1/2" screws at center and each end of deck boards.

Note: For 5/4" x 6" x 47" boards align 2-1/2" screws horizontally to avoid hitting Shelf-Brackets beneath.

Fig.10



J. Install Middle Rail Boards

1. Secure 4" x 4" support from above (**Fig. 10**) and below deck as shown.
2. Secure 2" x 4" x 48-1/2" as shown in (**Fig. 10**).

2" screw



2-1/2" screw



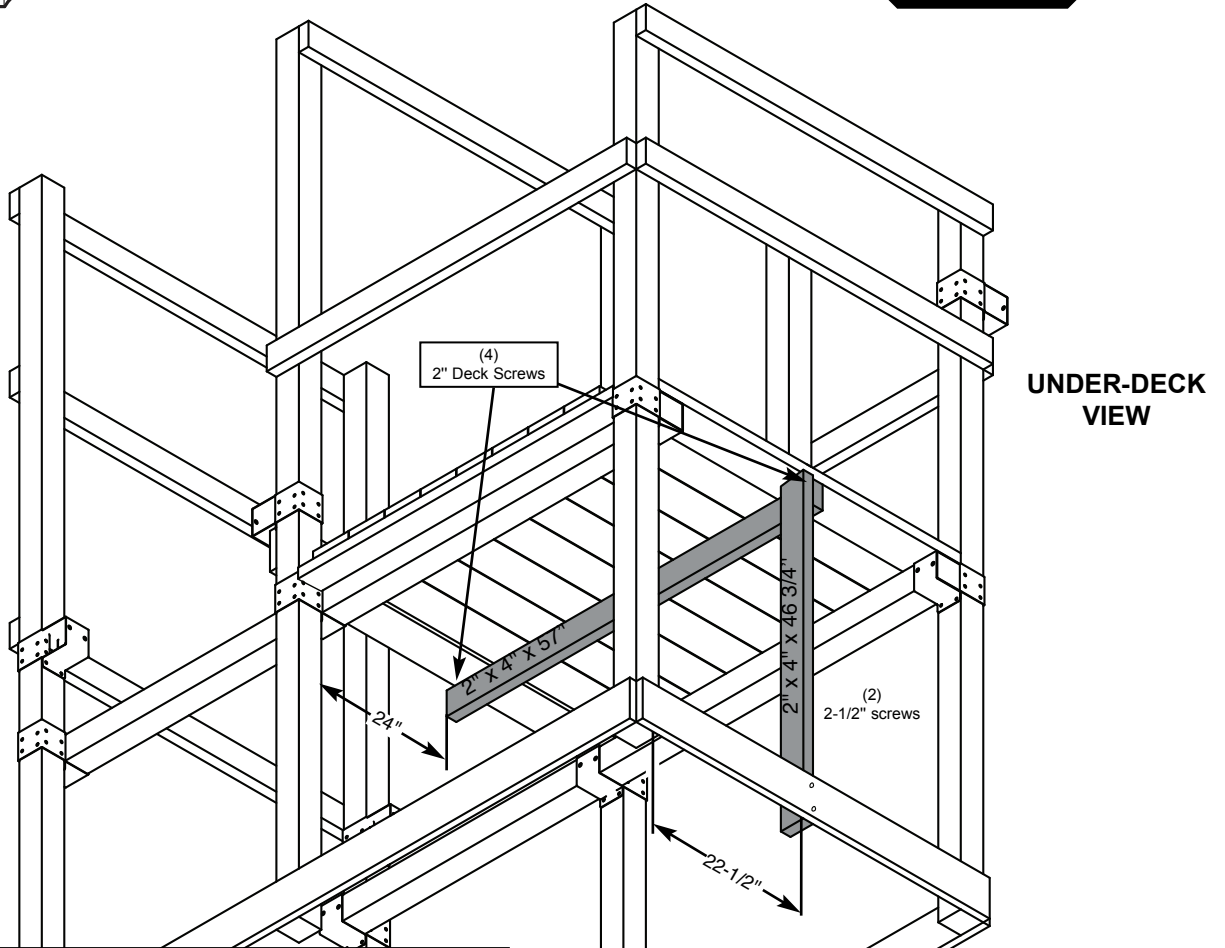
2" screw



2-1/2" screw

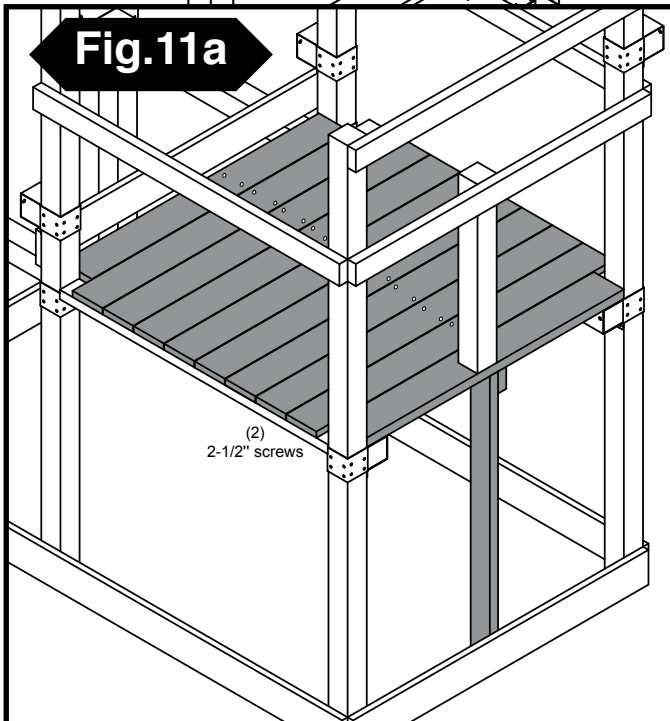


Fig.11



UNDER-DECK VIEW

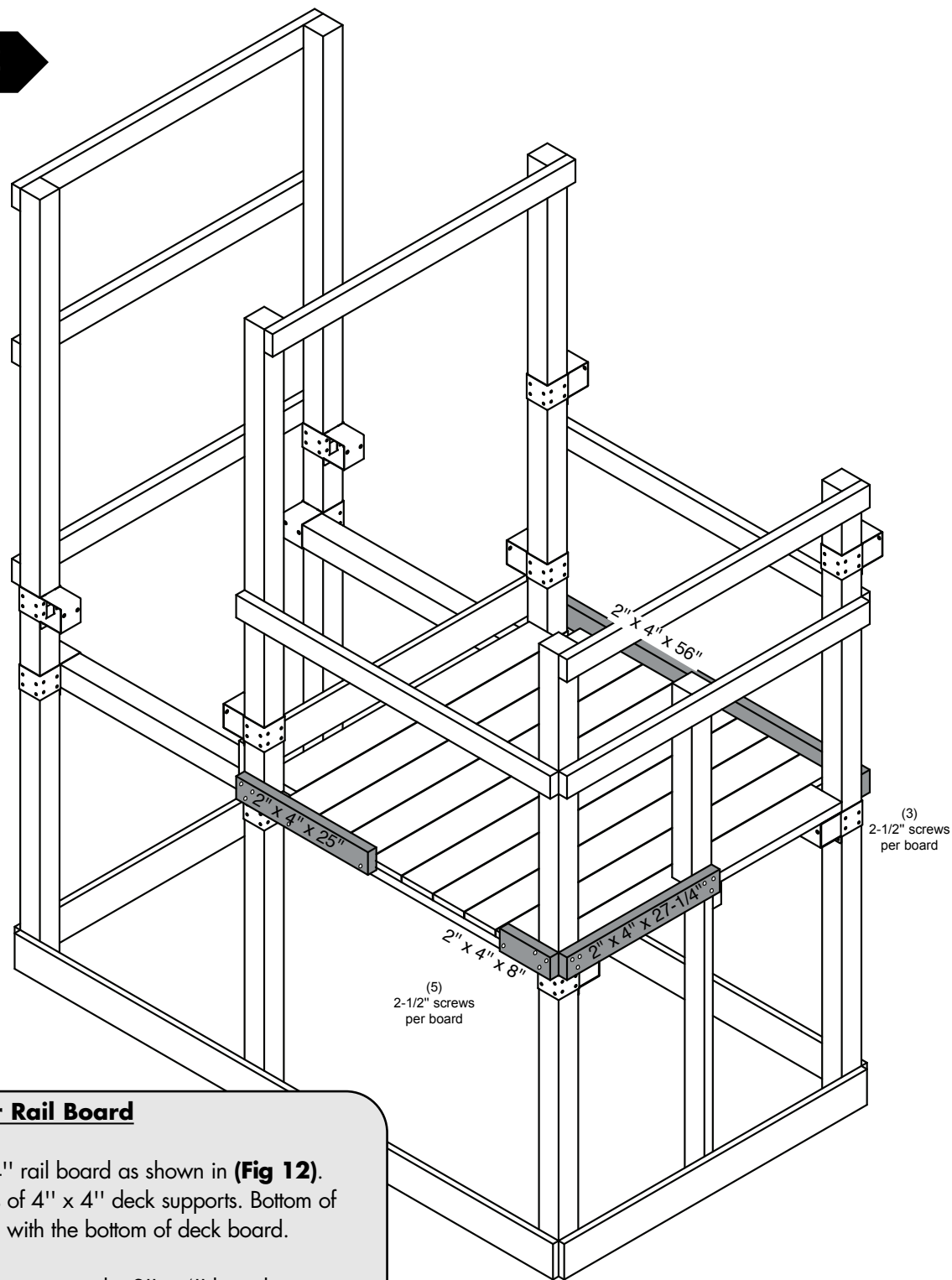
Fig.11a



H. Center & Entrance Support Boards

1. Construct support boards as shown in (Fig. 11).
2. Secure center of floor boards as shown in (Fig 11a)

Fig.12



I. Install Lower Rail Board

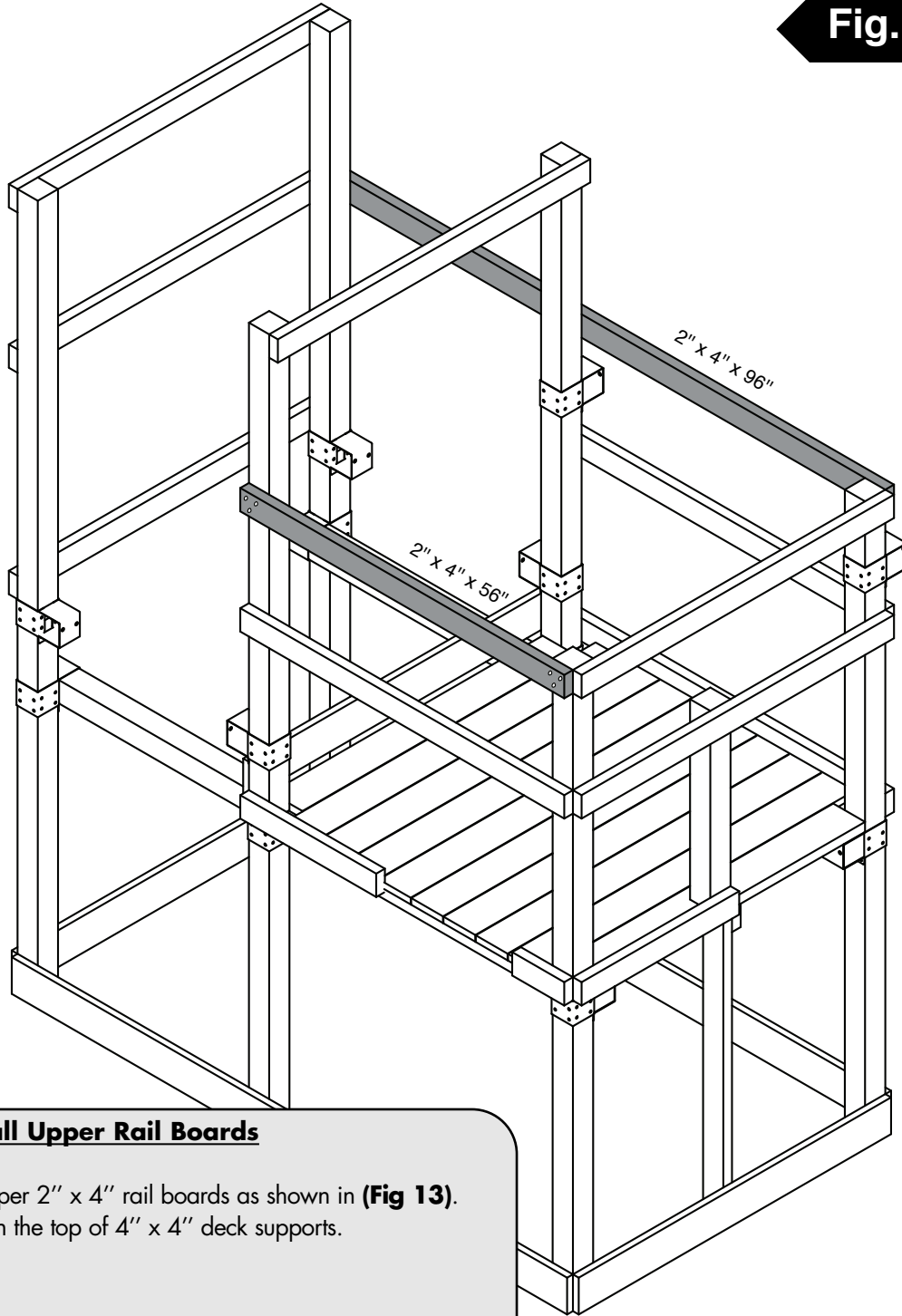
1. Install lower 2" x 4" rail board as shown in **(Fig 12)**. Flush with the sides of 4" x 4" deck supports. Bottom of 2" x 4" to be flush with the bottom of deck board.

NOTE: The bottom screws in the 2" x 4" board should secure into the side of the 5/4" x 6" board.

2-1/2" screw



Fig.13



(3)
2-1/2" screws
per joint

J. Install Upper Rail Boards

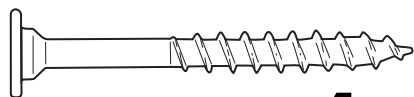
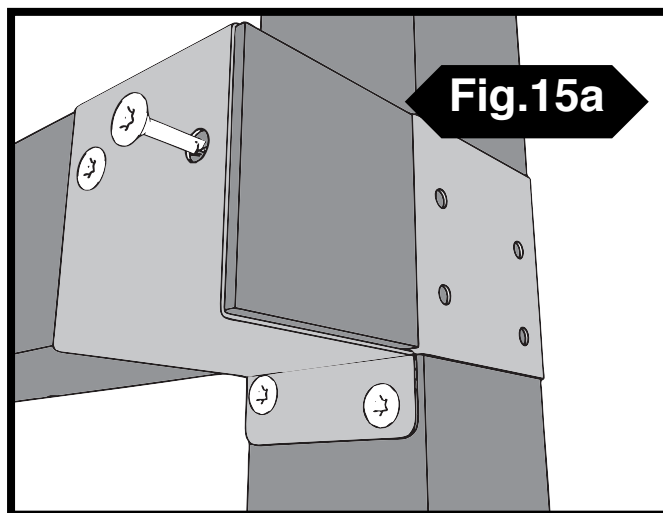
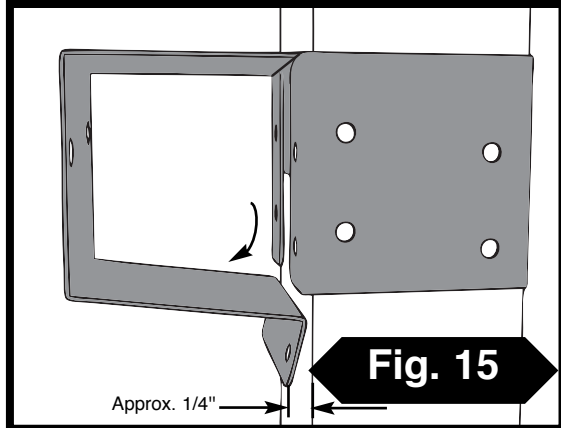
1. Install upper 2" x 4" rail boards as shown in **(Fig 13)**.
Flush with the top of 4" x 4" deck supports.

2-1/2" screw

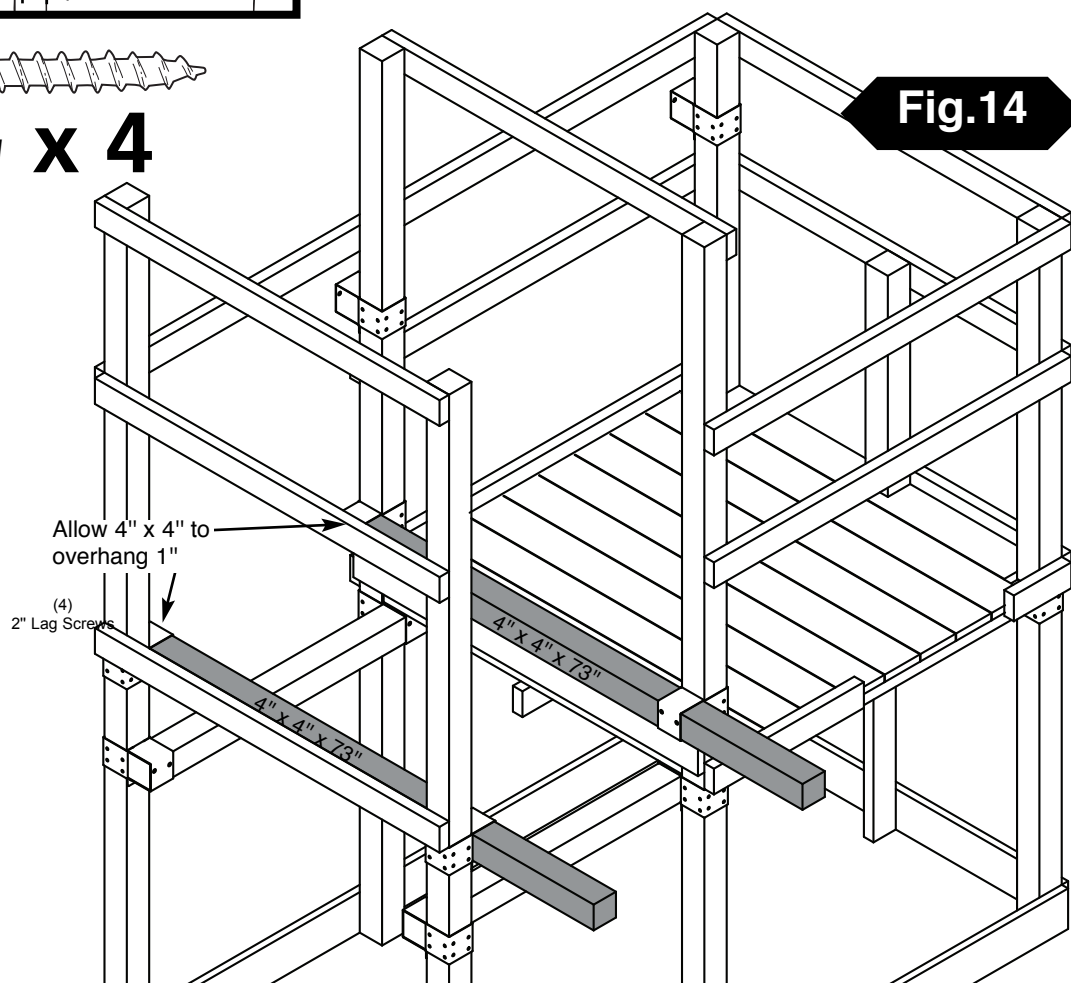


PROJECT 512

Tip: Flex brackets to make installation of 4" x 4" easier



2" Lag screw X 4

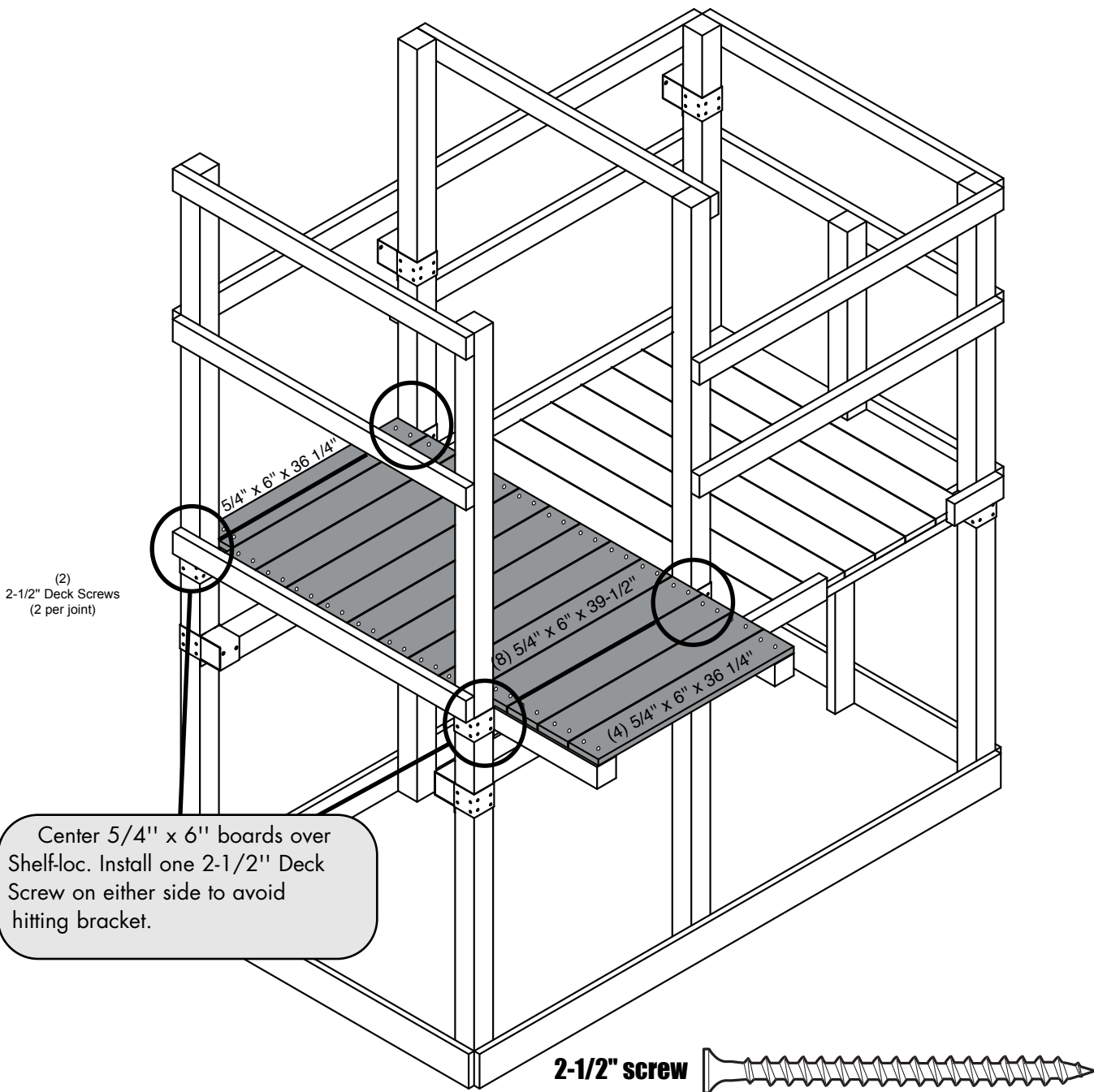


Allow 4" x 4" to overhang 1"
(4) 2" Lag Screws

K. Install 4x4s

- 1. Work (2) 4" x 4" into brackets as shown in (Fig. 14), (Fig 15).**
- 2. Secure brackets (Fig. 15a).**

Fig. 16

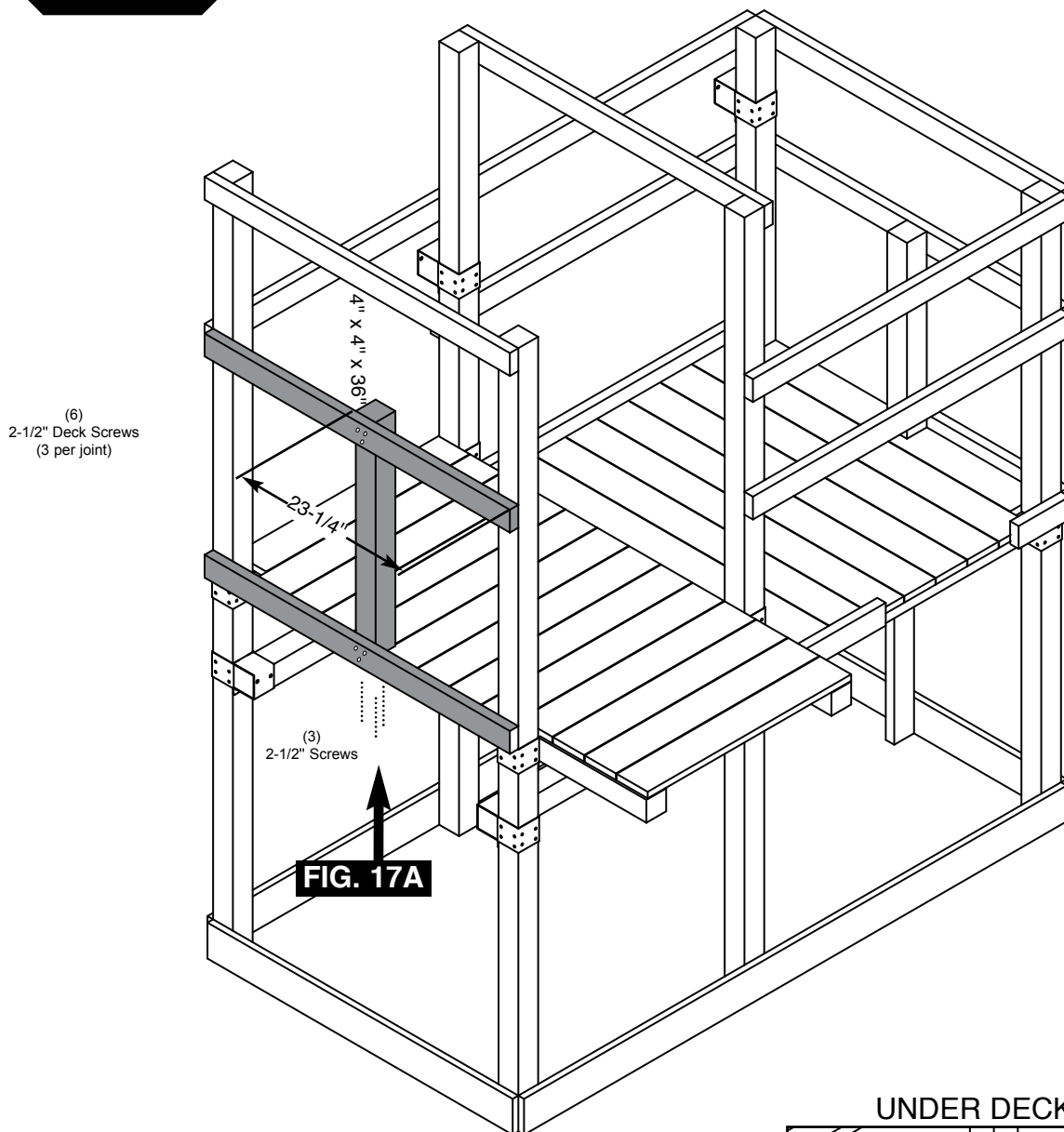


L. Install Deck Boards

1. Install 5/4" deck boards to structure as shown (**Fig. 16**).
2. Use two 2-1/2" screws at the end of each deck board.

PROJECT 512

Fig.17



2" screw



2-1/2" screw



M. Install supports

1. Install 4" x 4" from above and below as shown in (Fig 17)
2. Install 2" x 4" as shown in (Fig17a)

UNDER DECK VIEW

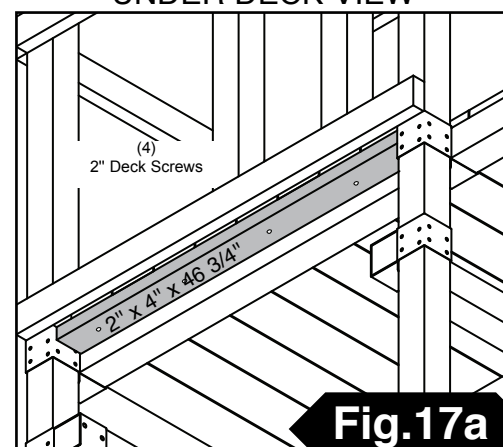
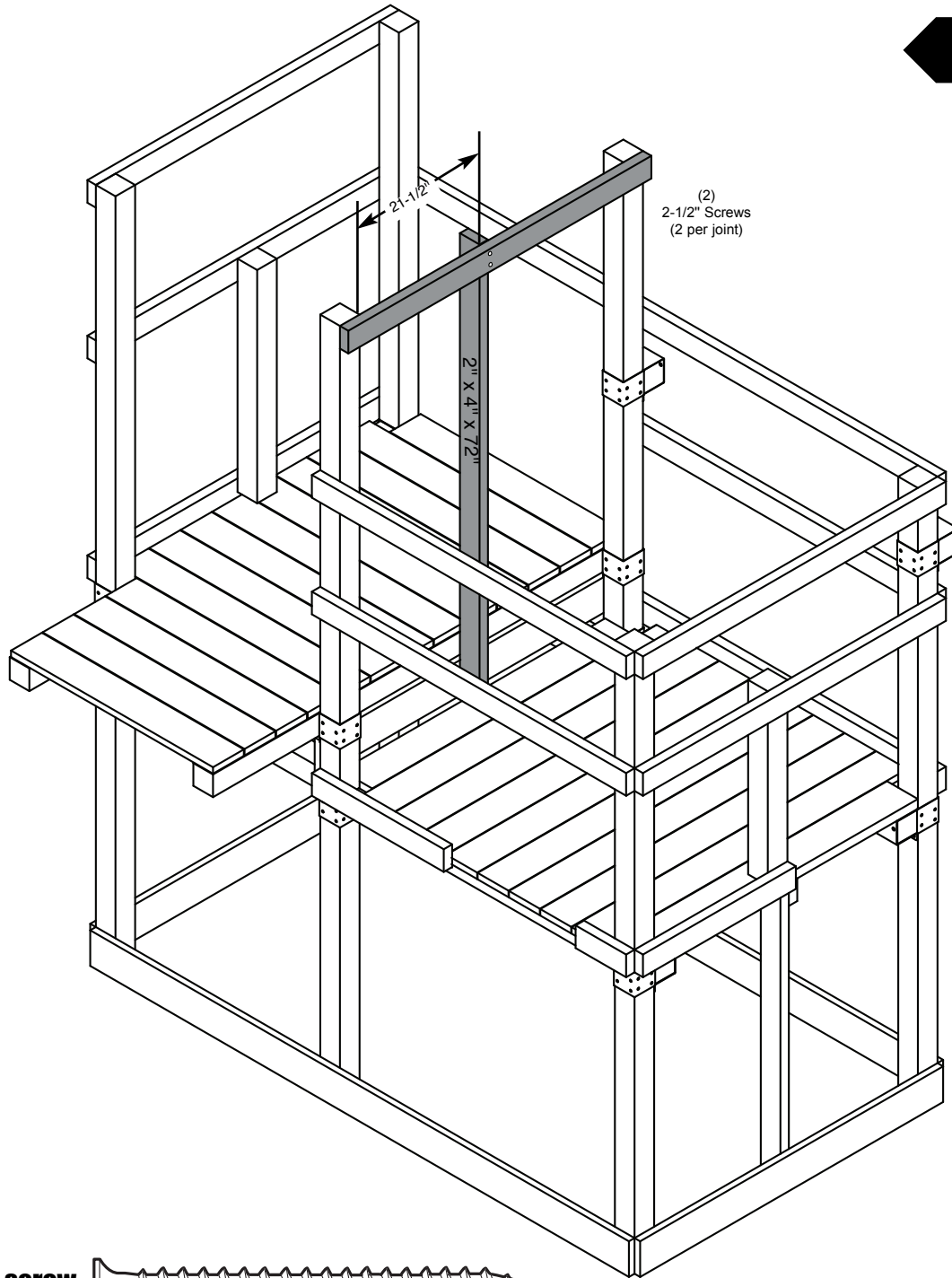


Fig.18



2-1/2" screw

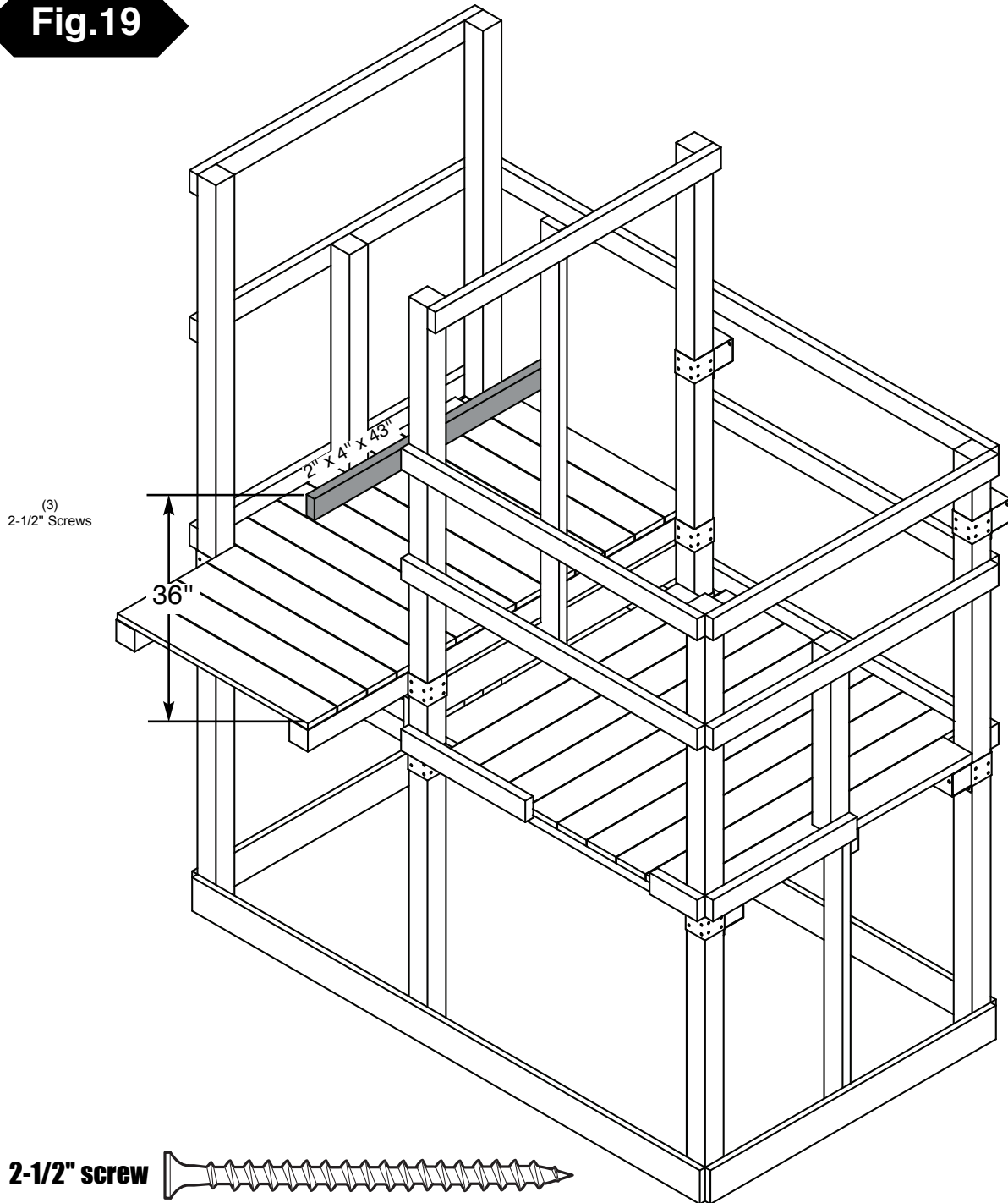


M. Install supports cont.

- 1. Install 2" x 4" as shown in (Fig 18)**

PROJECT 512

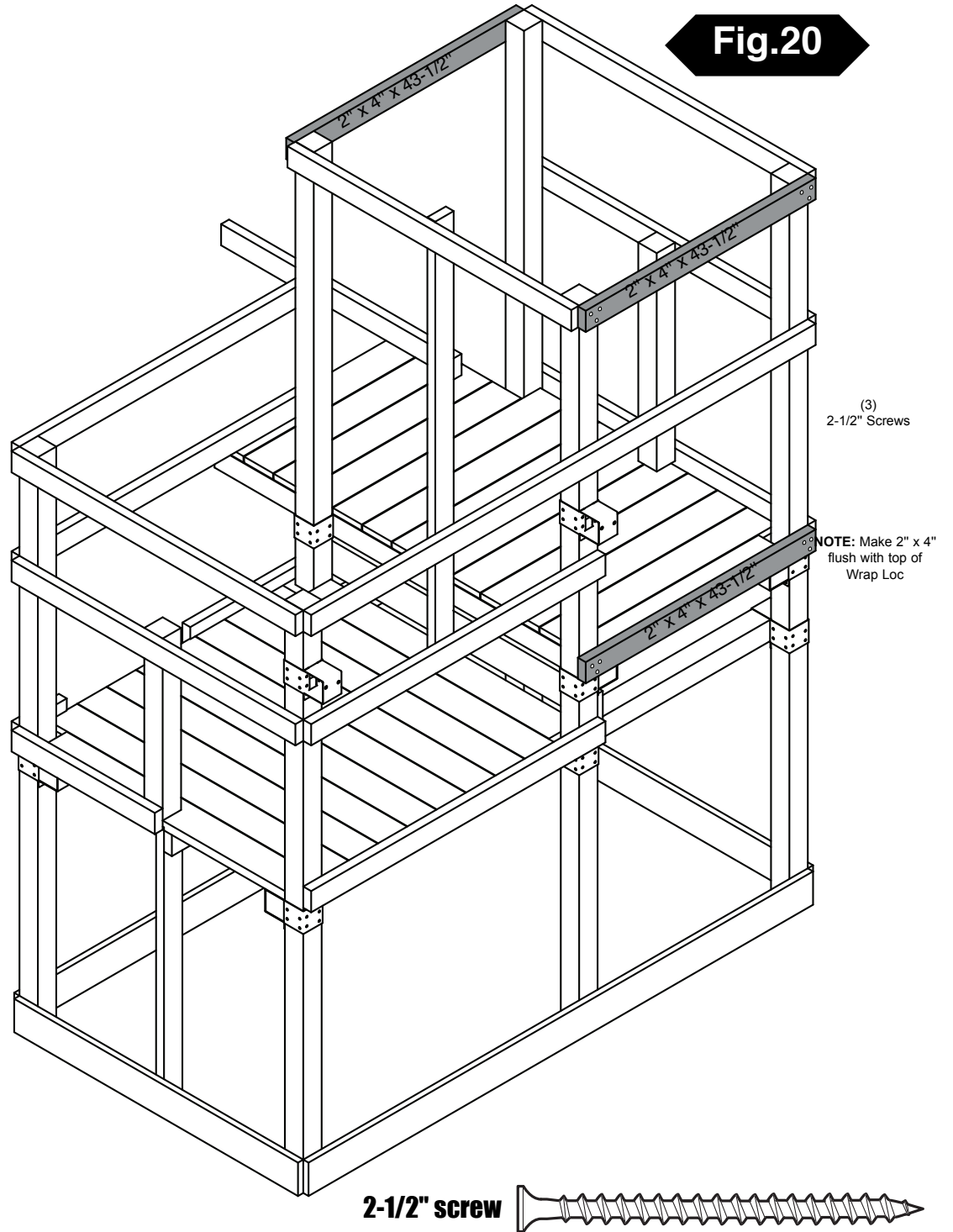
Fig.19



M. Install supports cont.

- 1. Install 2" x 4" as shown in (Fig 19)**

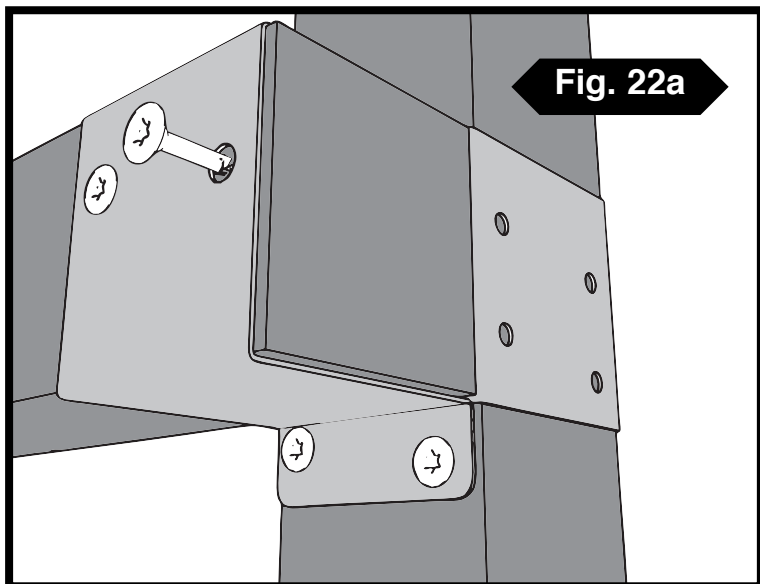
Fig.20



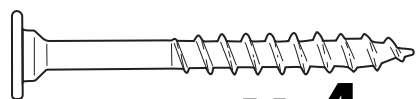
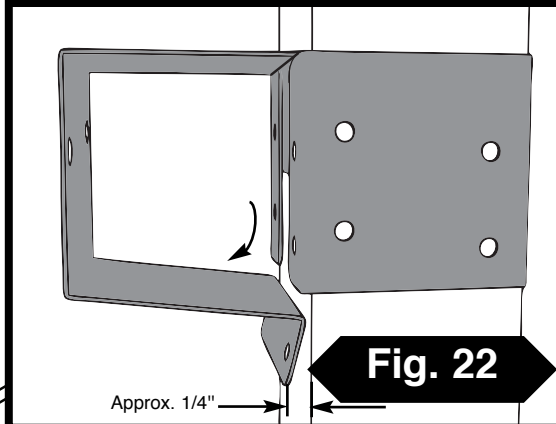
M. Install supports cont.

1. Install 2" x 4" as shown in (Fig 20).

PROJECT 512



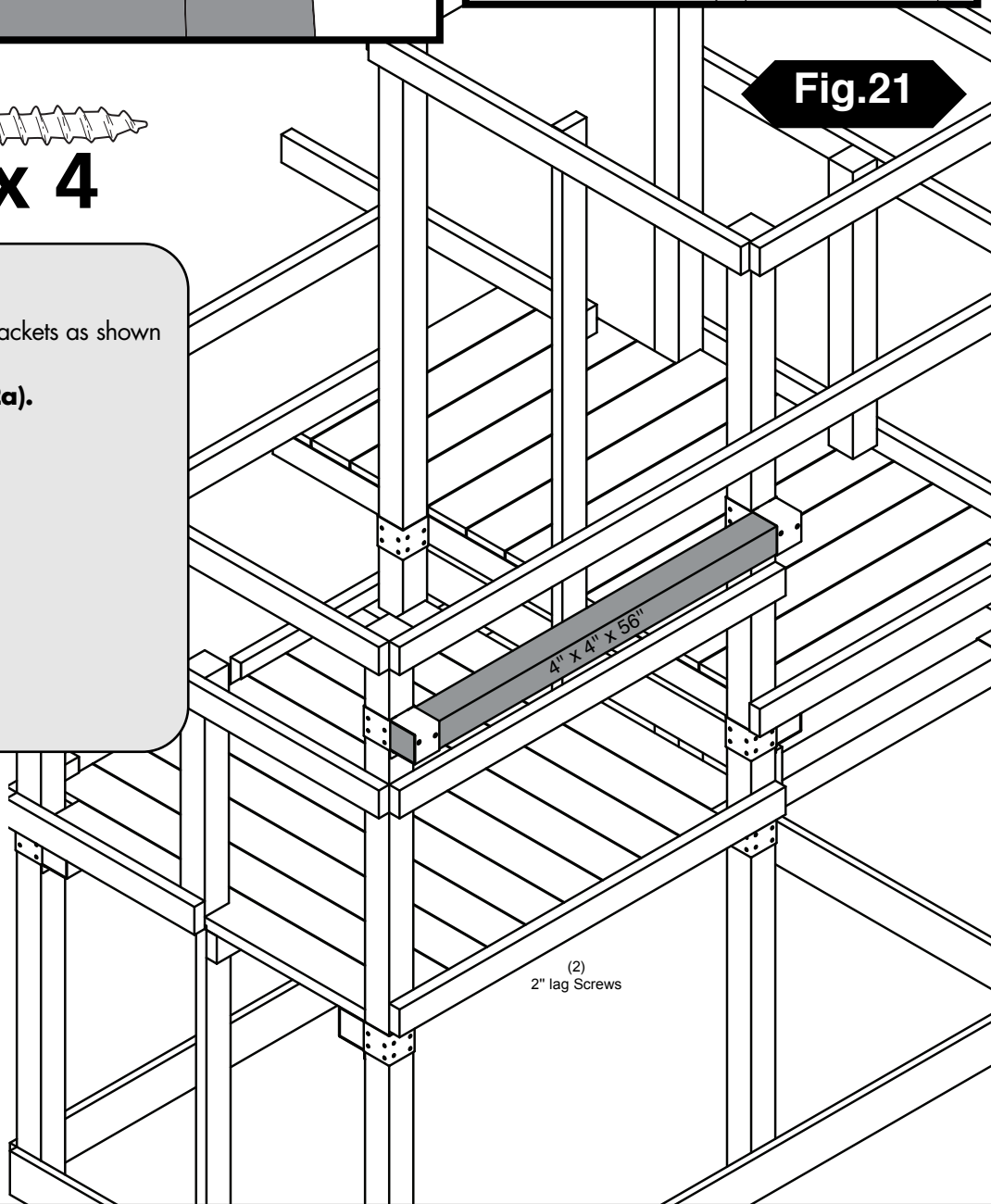
Tip: Flex brackets to make installation of 4" x 4" easier



2" Lag screw X 4

O. Install 4x4s

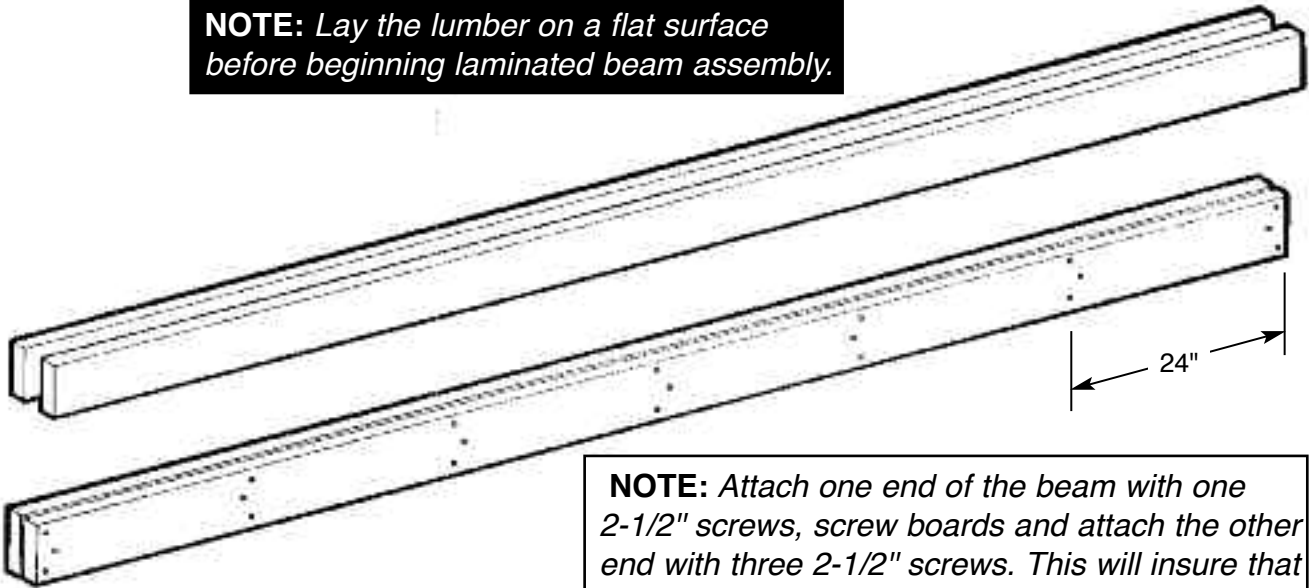
1. Work (1) 4" x 4" into brackets as shown in **(Fig. 22), (Fig 21)**.
2. Secure brackets **(Fig. 22a)**.



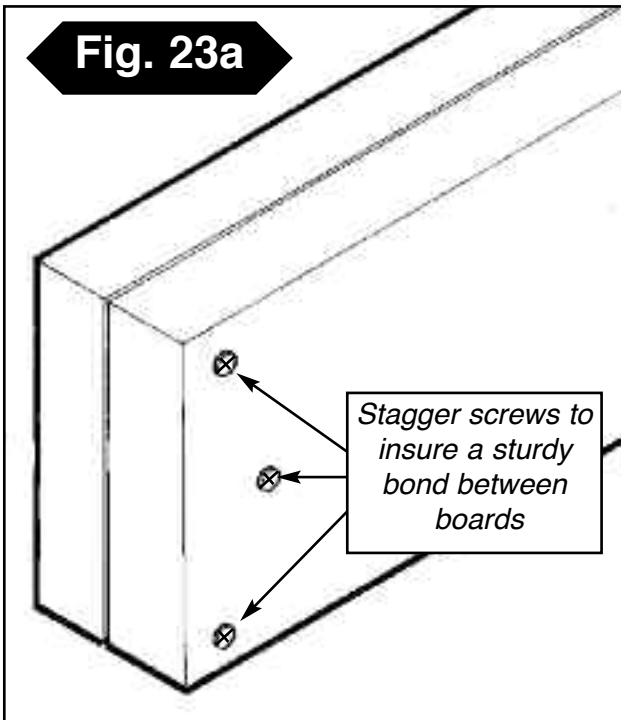
Optional Laminated Beam

Fig. 23

NOTE: Lay the lumber on a flat surface before beginning laminated beam assembly.



NOTE: Attach one end of the beam with one 2-1/2" screws, screw boards and attach the other end with three 2-1/2" screws. This will insure that your boards will stay aligned throughout the remainder of the beam assembly.

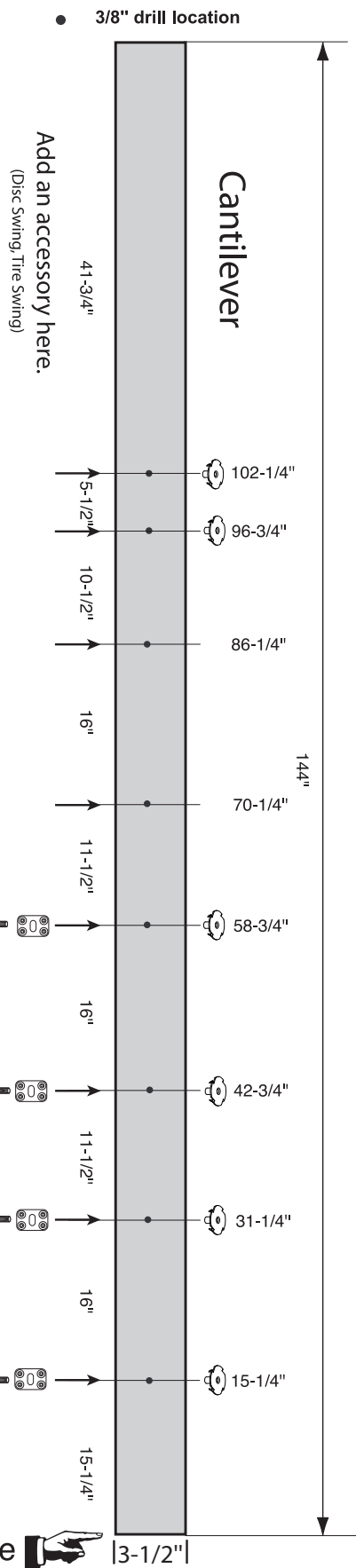
Fig. 23a


P. Laminated Beam Instructions

1. If 4" x 6" lumber is not available, you may laminate two 2" x 6" x 144" pieces of lumber together to create the beam.
2. Lay the lumber on a flat surface and align all of the edges. **NOTE:** Make sure each piece of lumber is the same length. If it is not, trim board(s).
3. From the end of each board, measure and place a mark at 24" intervals (**Fig. 23**).
4. Assemble the beam by attaching each end together using three 2-1/2" screws (**Fig. 23a**).

Note: Stagger the screws as shown in (**Fig. 23a**) to insure a sturdy bond. Repeat every 24" along the entire length of the beam. When beam is complete, measure, drill holes, and attach beam clamps and nylon bushing swing hangers

Fig. 24



Add an accessory here.
(Disc Swing, Tire Swing)

Q. Swing Beam Drill Locations

1. Use a 3/8" drill bit to drill a 3/8" hole through the beam at each location shown in **(Fig. 24)**
2. Install Swing Hangers onto swing beam at locations shown.

Note: Swing Hangers must be installed on same side dimensions were originally marked.

TOP VIEW

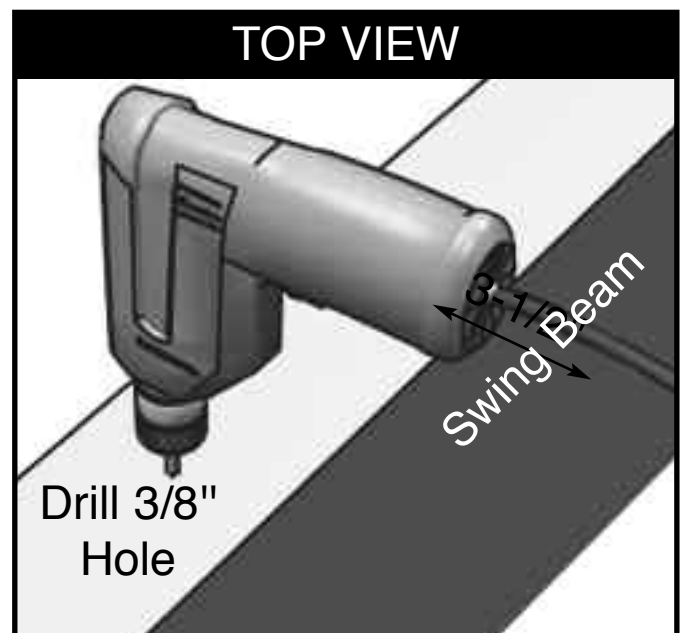
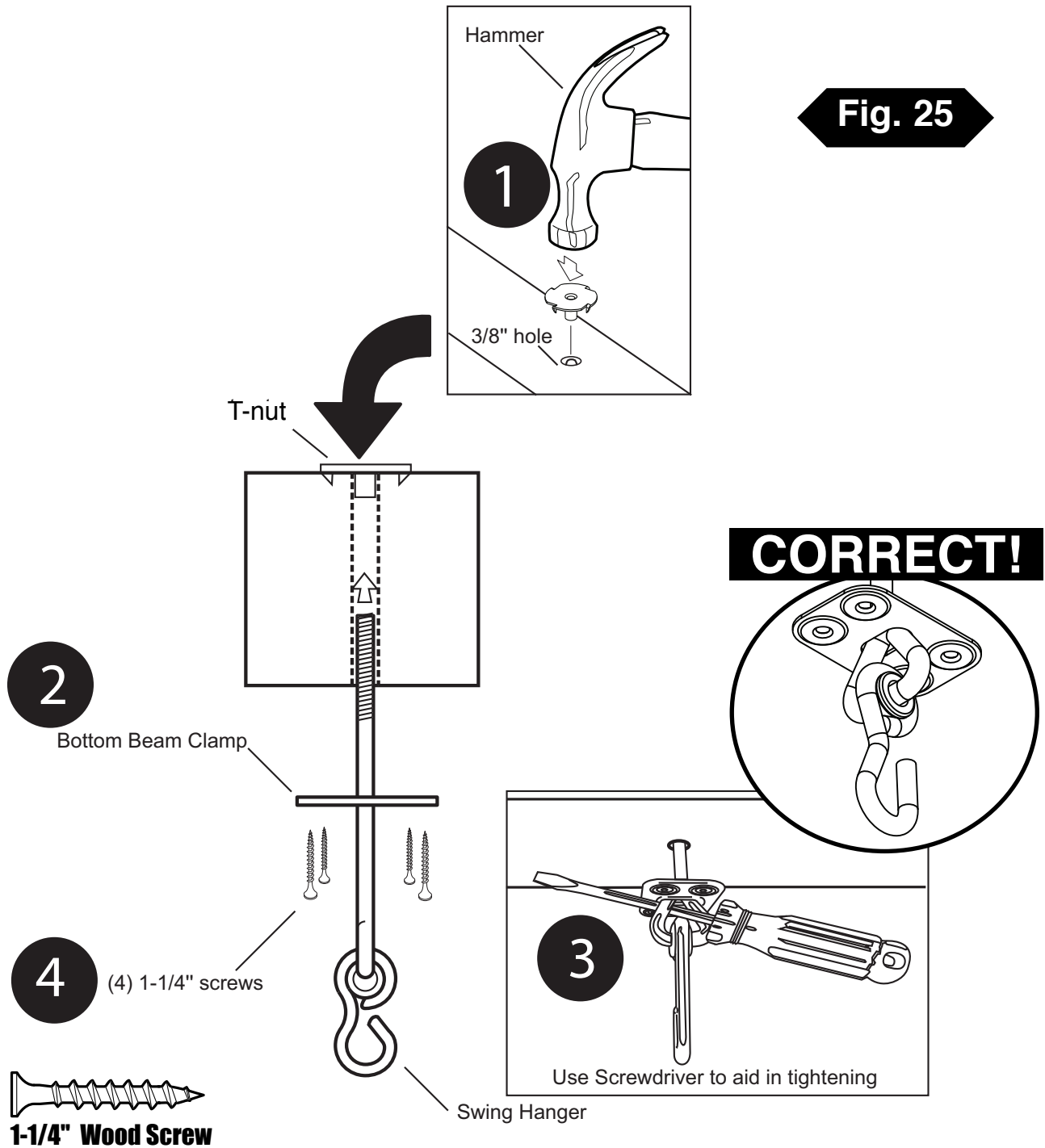


Fig. 25

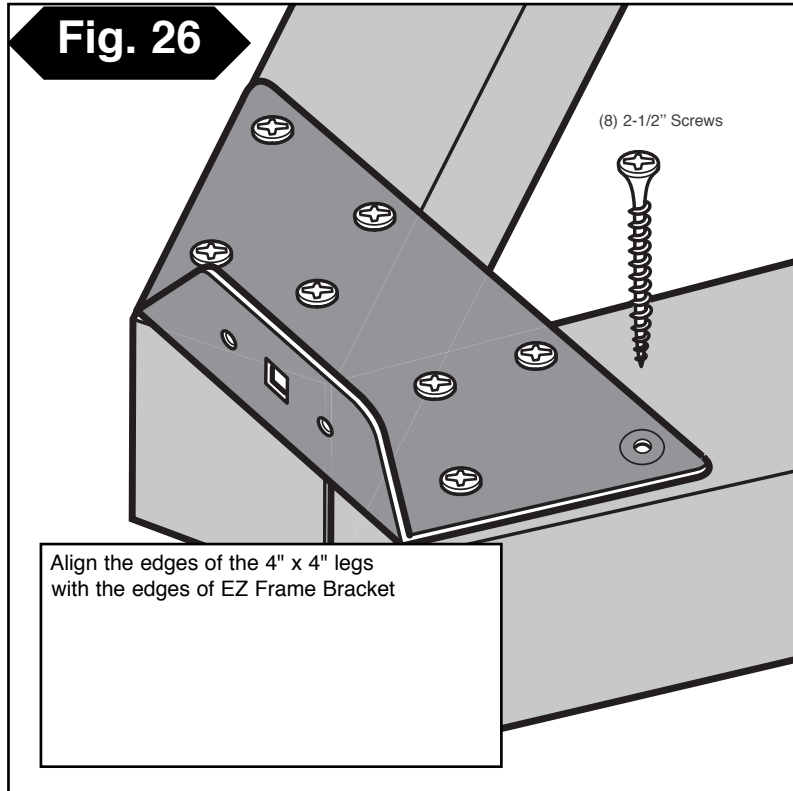


Swing Hanger Assembly

1. Tap T-nut into 3/8" hole as shown in **Step 1**.
2. Place a bottom beam clamp over the swing hanger as shown in **Step 2**.
3. Insert the swing hanger into the beam and thread it into the T-nut until it is flush or near flush with the top of the T-nut. A screwdriver may be used to twist the hanger. Orient the Beam Clamp, making sure the slot is parallel with beam length and the triangle of the Swing Hanger locks securely into the Beam Clamp slot, as shown in **Step 3**.
4. Use (4) 1-1/4" screws to secure beam clamp as shown in **Step 4**.
5. Check hanger to ensure it does not spin.
6. Repeat for all swing hangers.

PROJECT 512

Fig. 26



S. A-Frame Assembly

1. layout 4" x 4"s as shown in **(Fig. 26)**
2. Allign EZ Frame Bracket with face of 4" x 4"s.
3. Secure EZ Frame Bracket with (8) 2-1/2" screws to 4" x 4"s making sure they are flush with each other.
4. Secure 5/4" x 6" to 4" x 4"s as shown in **(Fig. 26a)**
5. Flip over and add 2nd bracket. Repeat steps 2 and 3.

Align the edges of the 4" x 4" legs with the edges of EZ Frame Bracket

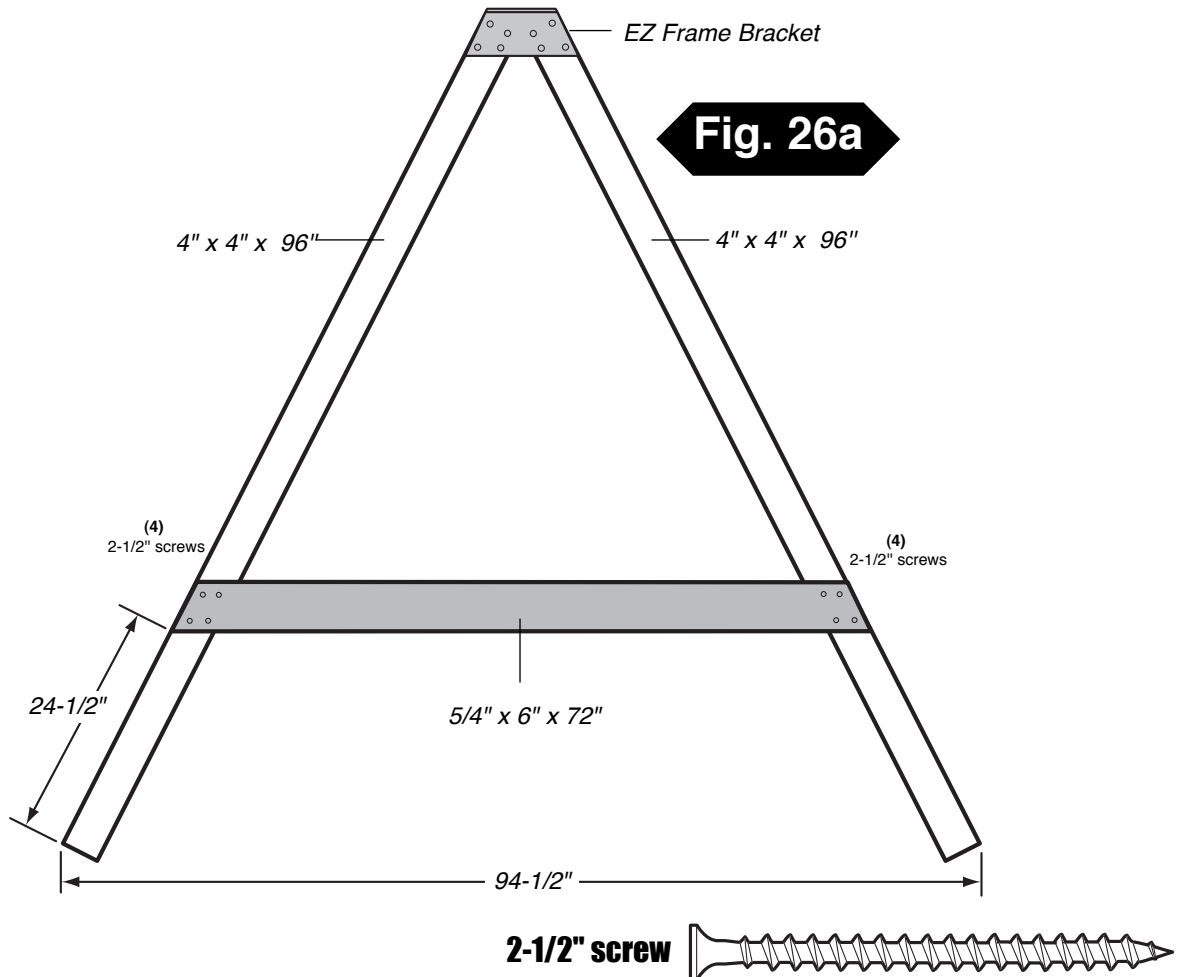
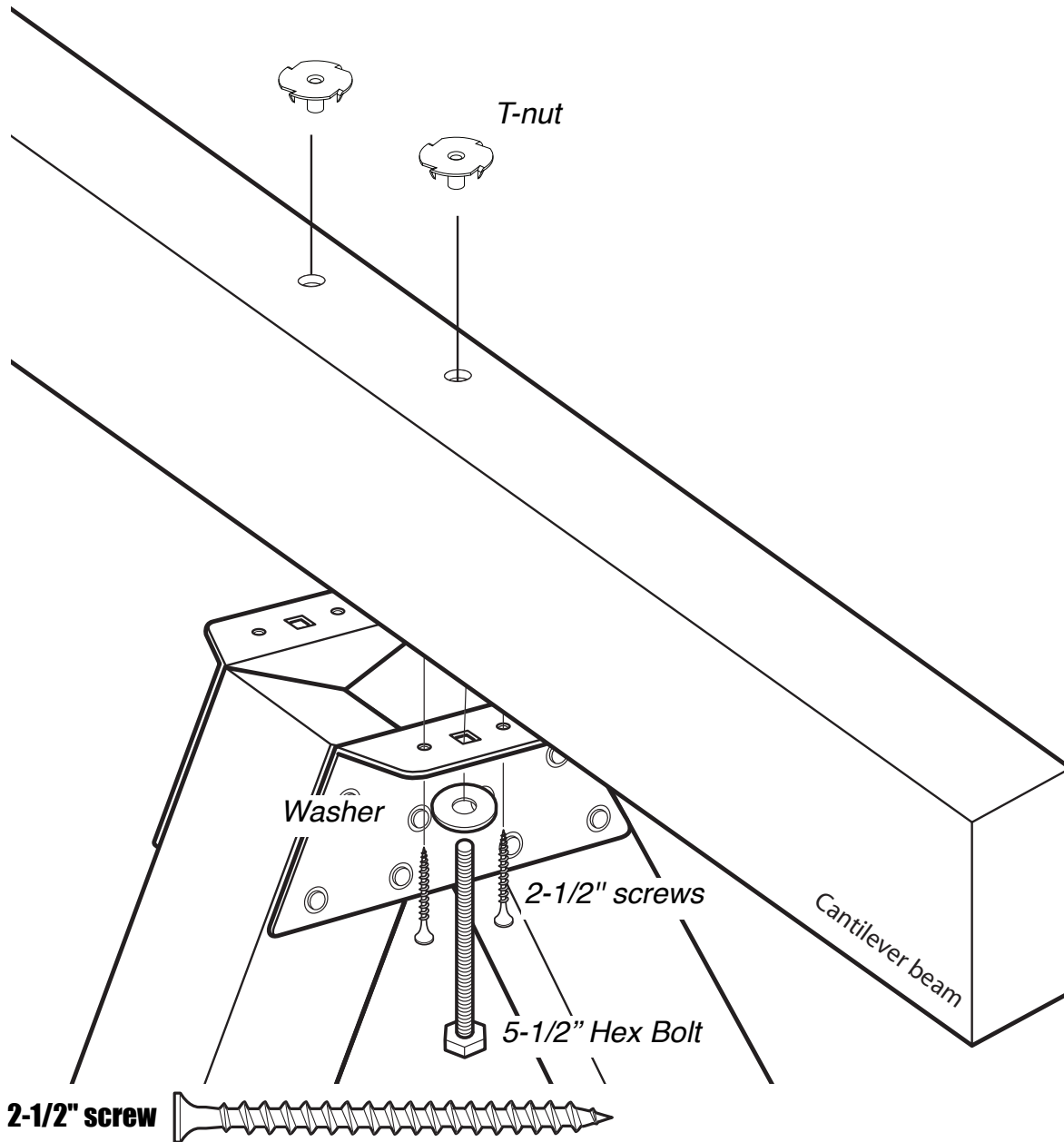


Fig. 26a

Fig. 27



T. A-Frame Assembly cont.

1. Tap T-nut into 3/8" hole as shown in **(Fig. 27)**

Note: If using Laminated Swing Beam, make sure T-nut teeth do not fall between seams of 2" x 6"s.

2. Attach A-Frame beam to Swing Beam using (2) 5-1/2" hex bolts and 4 screws.
3. Tighten hex bolt to flush with top of t-nut. Repeat on other bracket.

PROJECT 512

U. A-Frame Assembly cont.

1. Position Split-Brackets on 4" x 4" x 56" (Fig 28).
2. With the help of others, lift A-Frame and Swing Beam Assembly and center onto unit as shown in (Fig. 28)
3. Secure as shown in (Fig 28a).

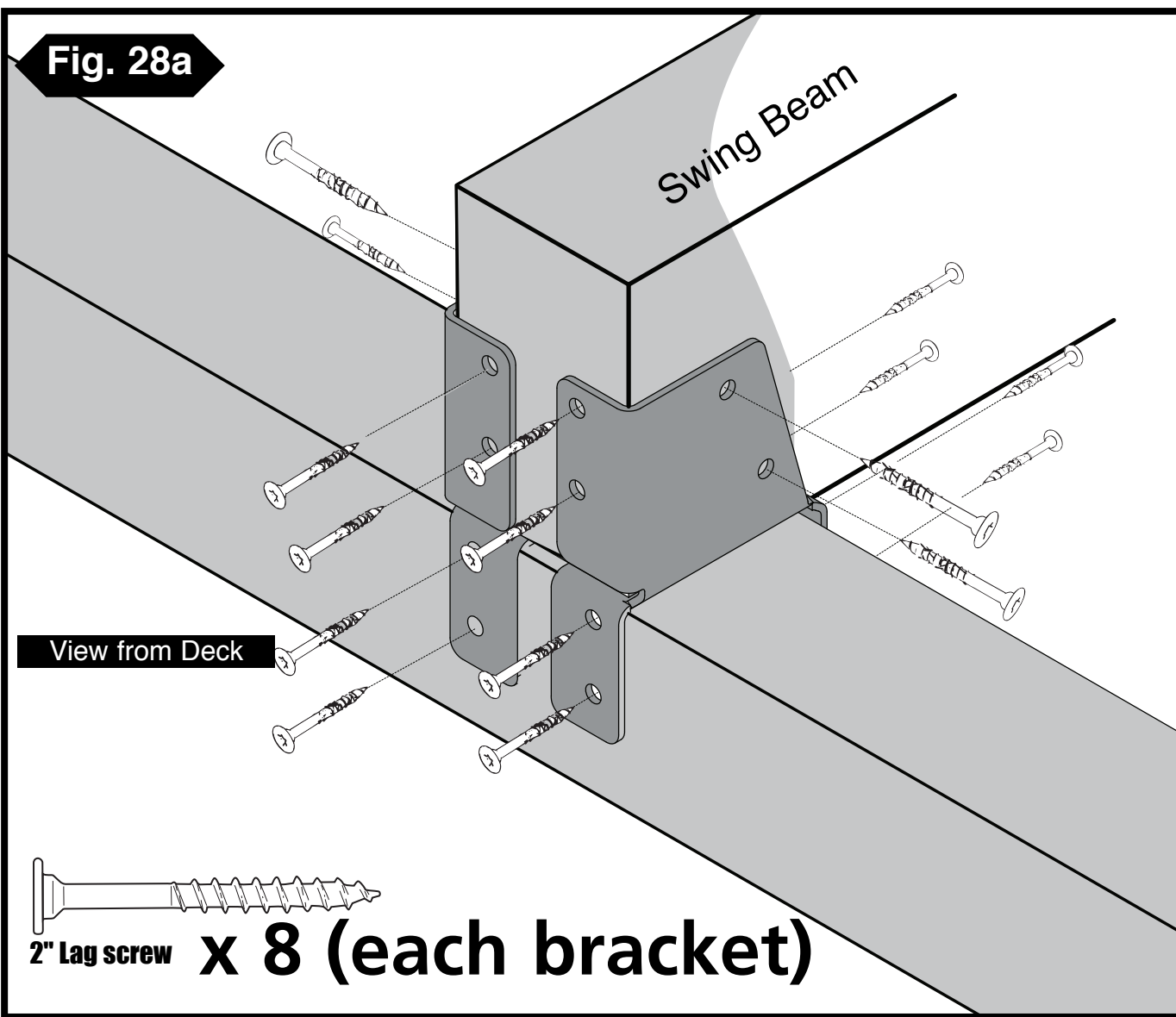
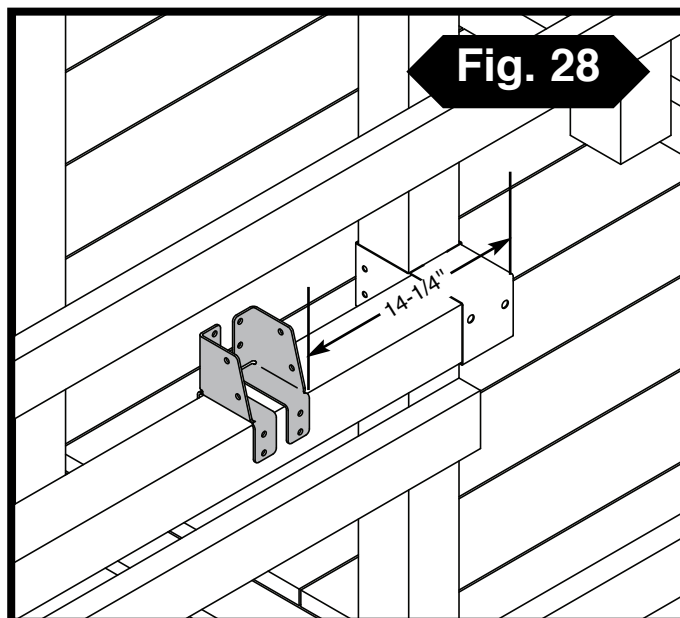
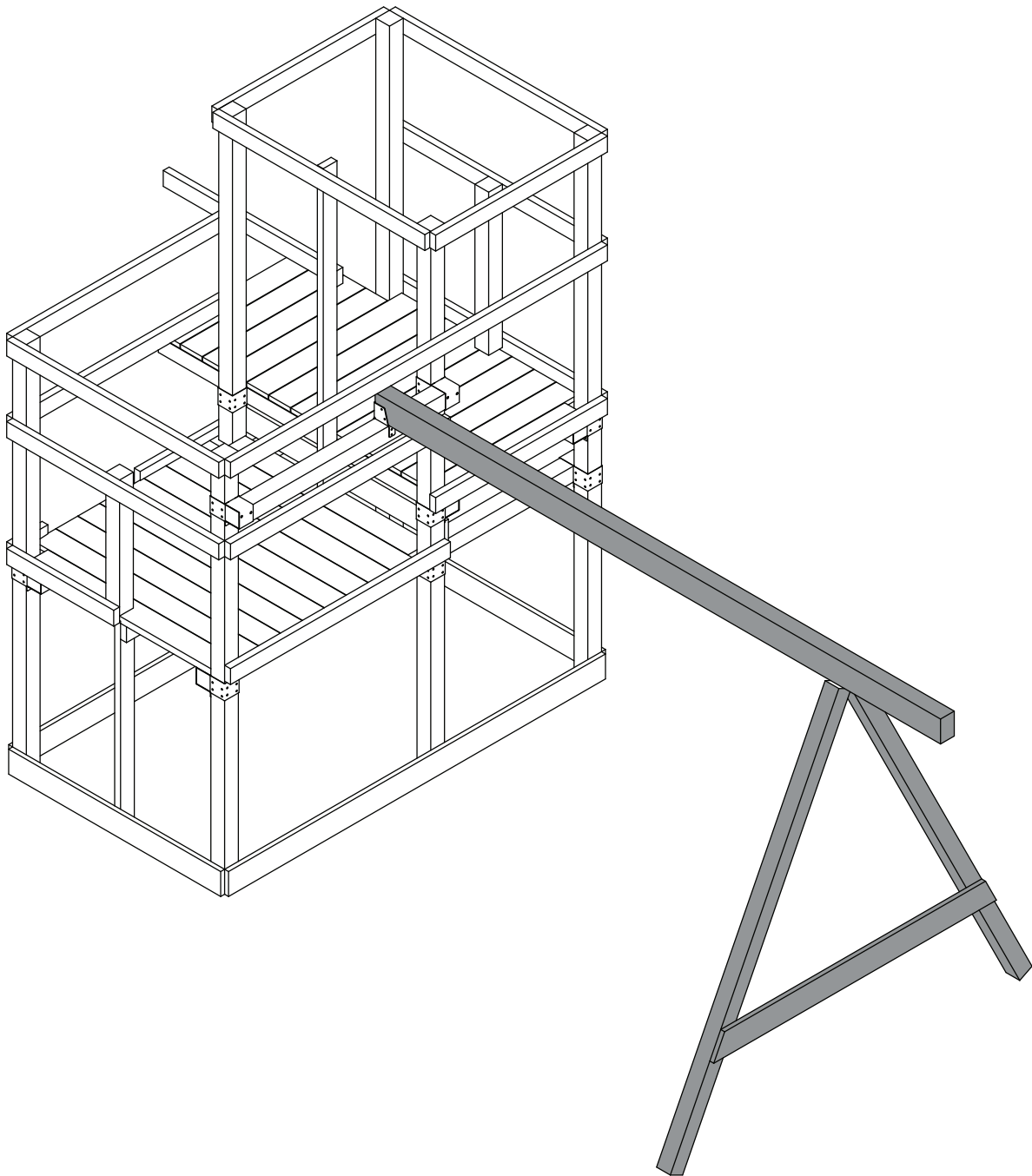
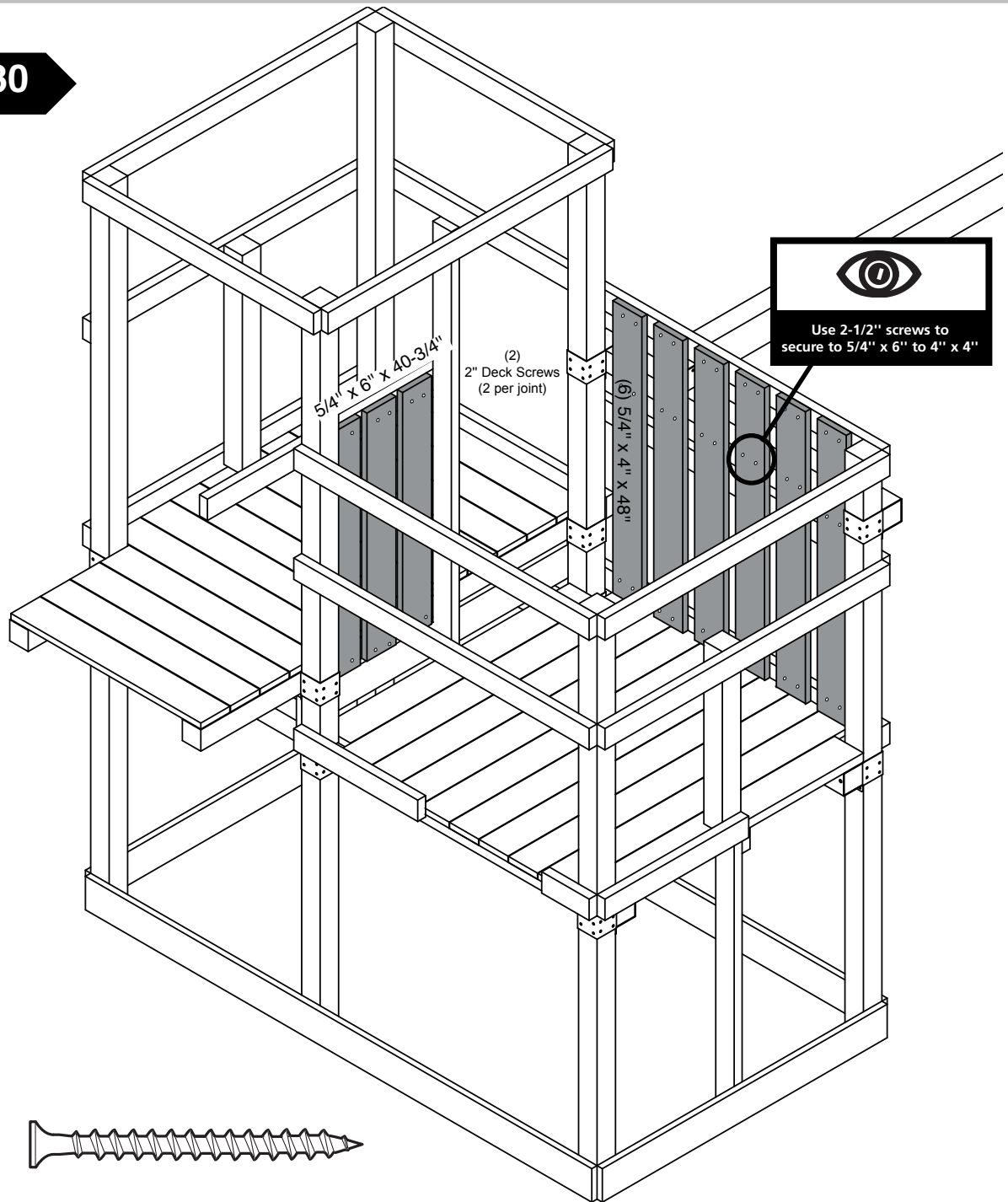


Fig. 29



PROJECT 512

Fig.30



2" screw



2-1/2" screw



V. Barrier Boards

1. Install 5/4" barrier boards evenly spaced in the opening.

Fig.31

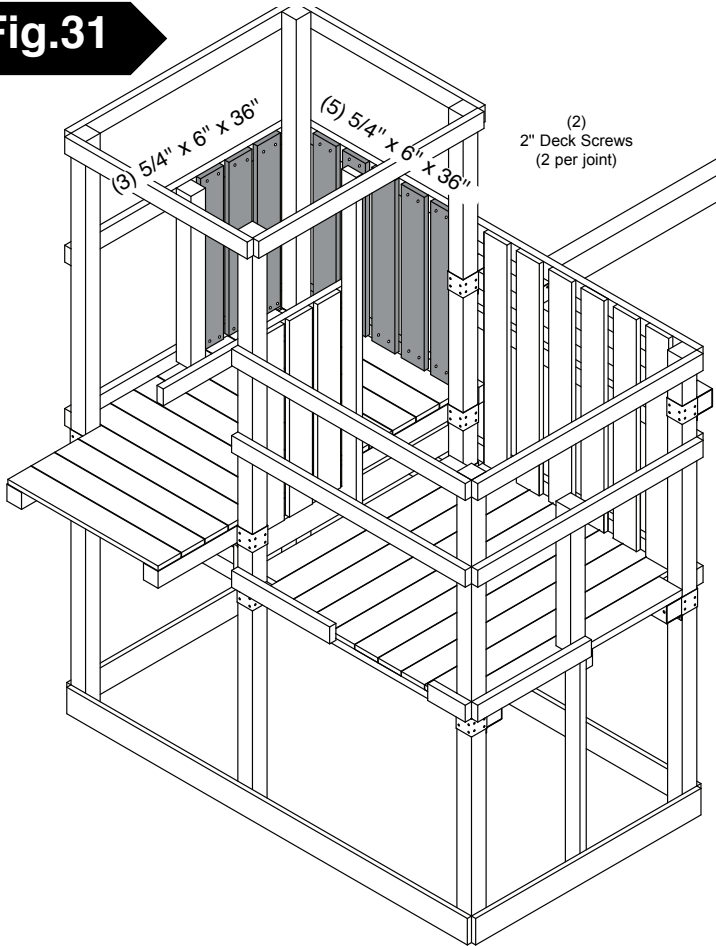
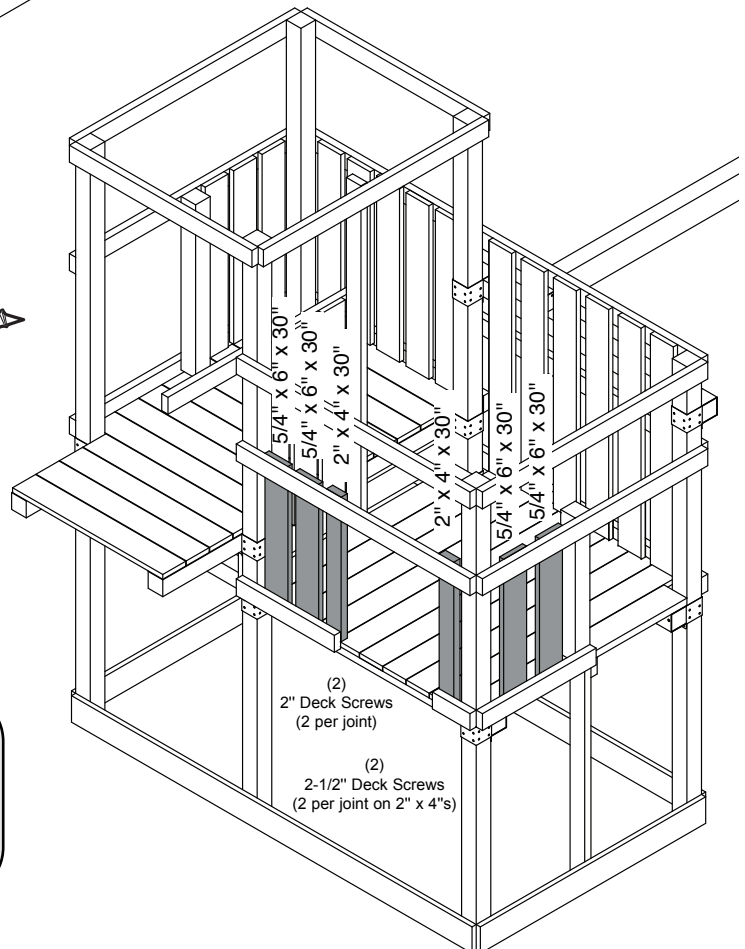


Fig.32



2\" screw



2-1/2\" screw

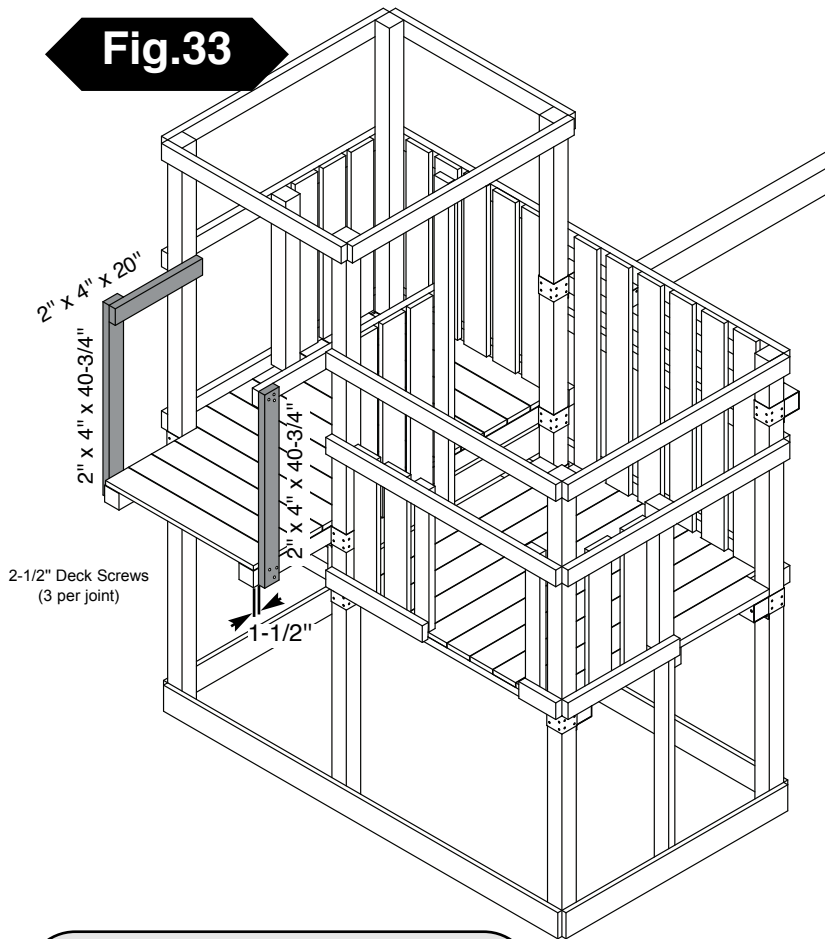


V. Barrier Boards cont.

1. Install 5/4\" and 2\" x 4\" barrier boards as shown in **(Fig. 31)** and **(Fig. 32)**.

PROJECT 512

Fig.33



W. Support Boards.

1. Construct 2" x 4" s as shown in (Fig 33) & (Fig. 33a)

Fig.33a

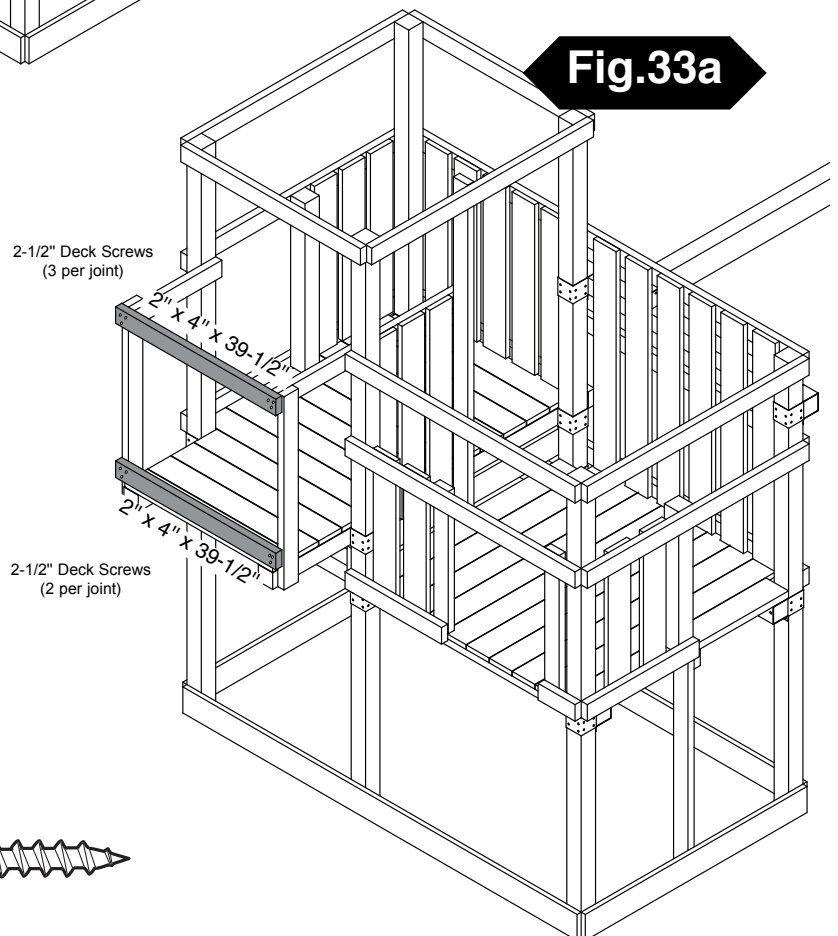
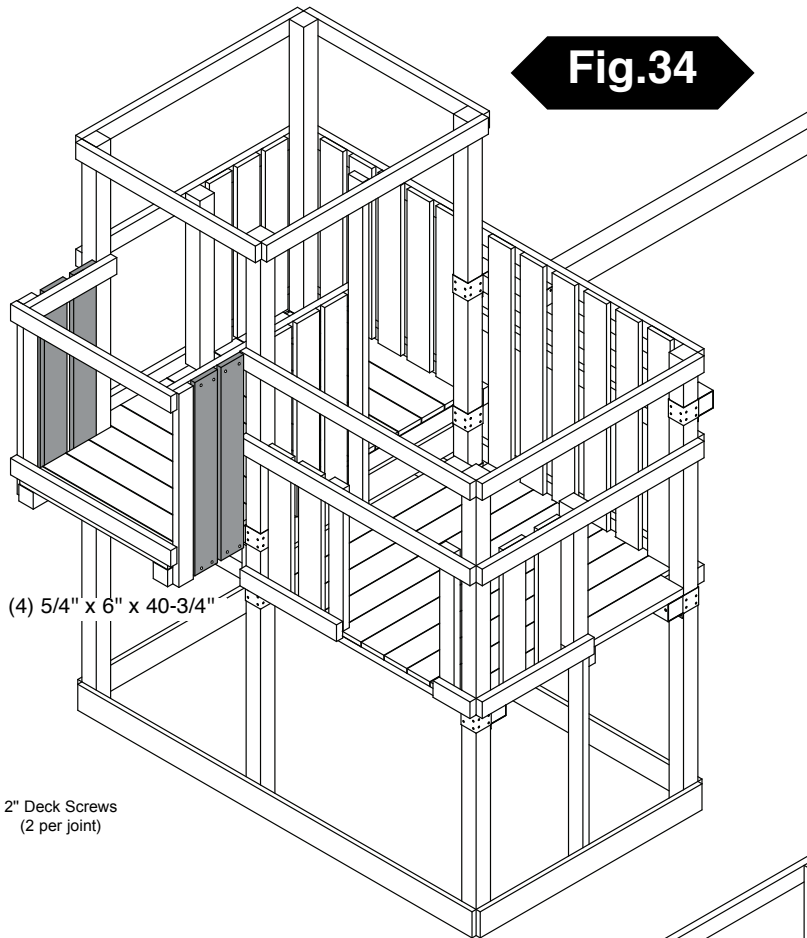


Fig.34



(4) 5/4" x 6" x 40-3/4"

2" Deck Screws
(2 per joint)

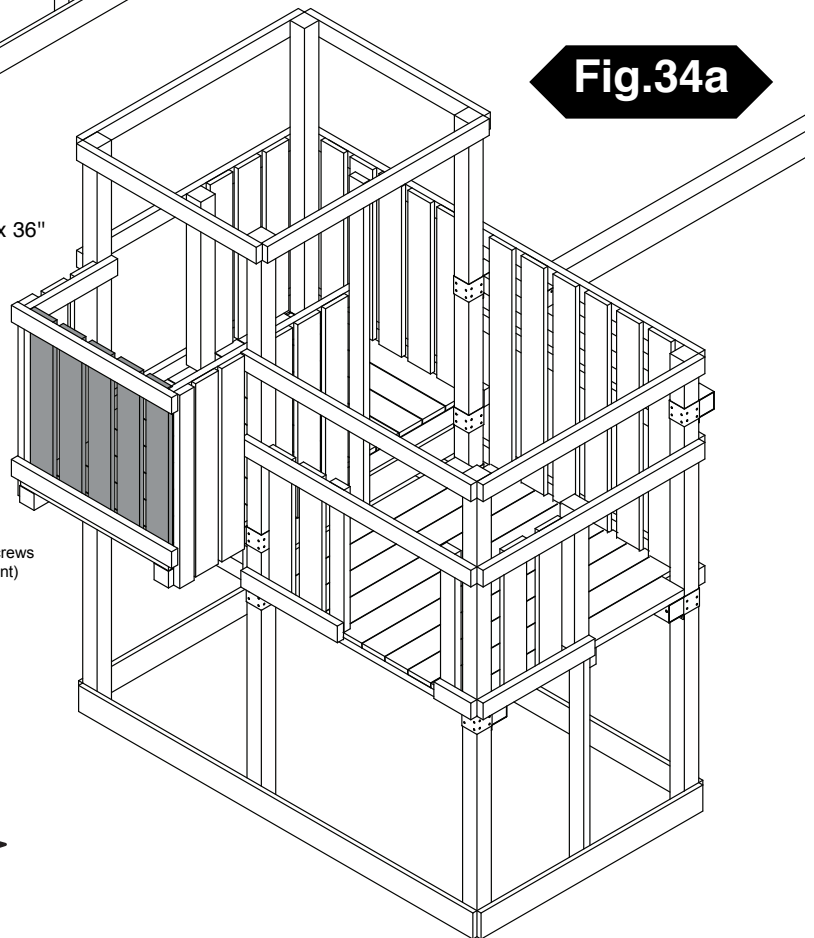
X. Rail Boards.

1. Install 5/4" boards evenly spaced in the opening as shown in **(Fig 34) & (Fig 34a)**.

Fig.34a

(5) 5/4" x 6" x 36"

(2)
2" Deck Screws
(2 per joint)

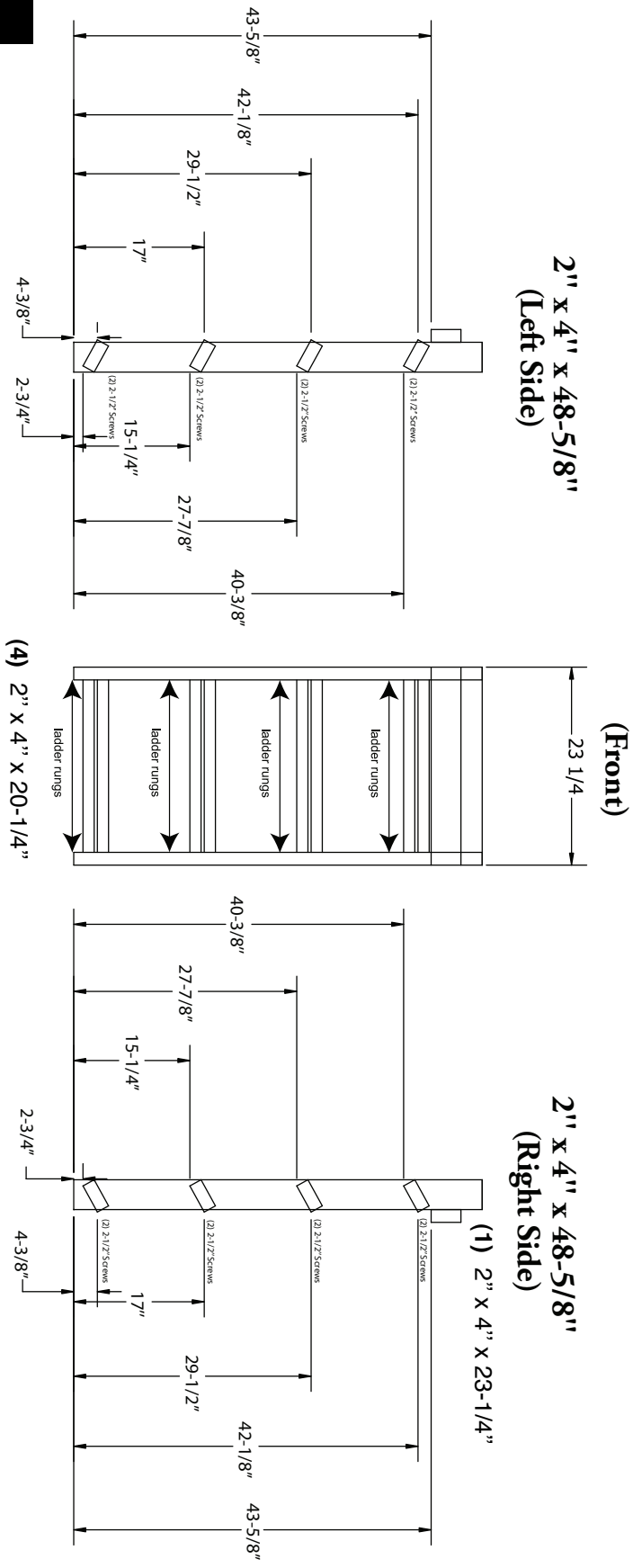


2" screw



**SIDE OPENING
OPTION 1**

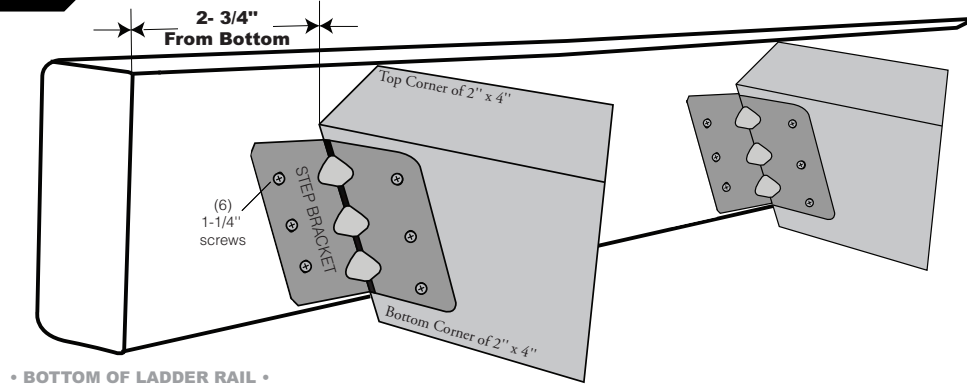
Fig. 35



SIDE OPENING OPTION 1

Fig. 36

EXAMPLE OF LADDER RUNG INSTALLATION



2-1/2" screw



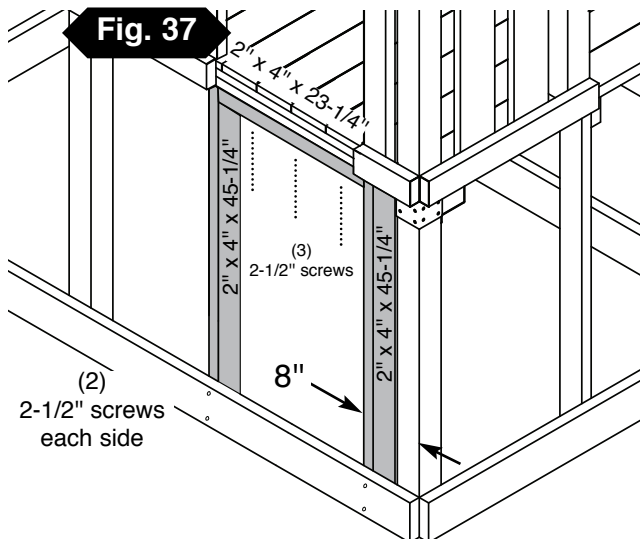
1-1/4" screws



O. Ladder Assembly.

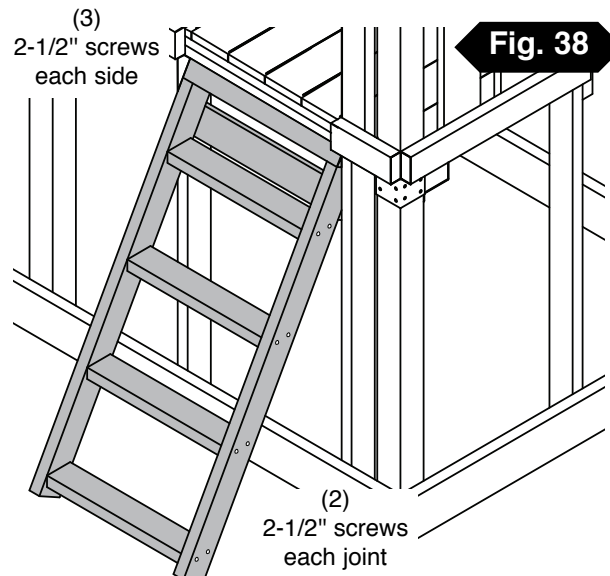
1. On ladder rails, mark all measurement locations for each side with a pencil. Draw an angle line connecting measurements for each ladder rung alignment. (**Fig. 35**)
2. Align top of step bracket with line and screw in place. Install a ladder rung at each of the four locations. (**Fig. 35**) and (**Fig. 36**) Repeat on other ladder rail.
3. Attach 2" x 4" x 23-1/4" to siderails using (2) 2-1/2" screws per side.
4. Secure ladder to unit. (**Fig. 37**) and (**Fig. 38**)
Note: The top step should be 11" below the deck and all steps should be level.
5. Screw (2) 2-1/2" screws into the ends of each ladder rung through the left and right side rails. (**Fig. 38**)

Fig. 37



(3)
2-1/2" screws
each side

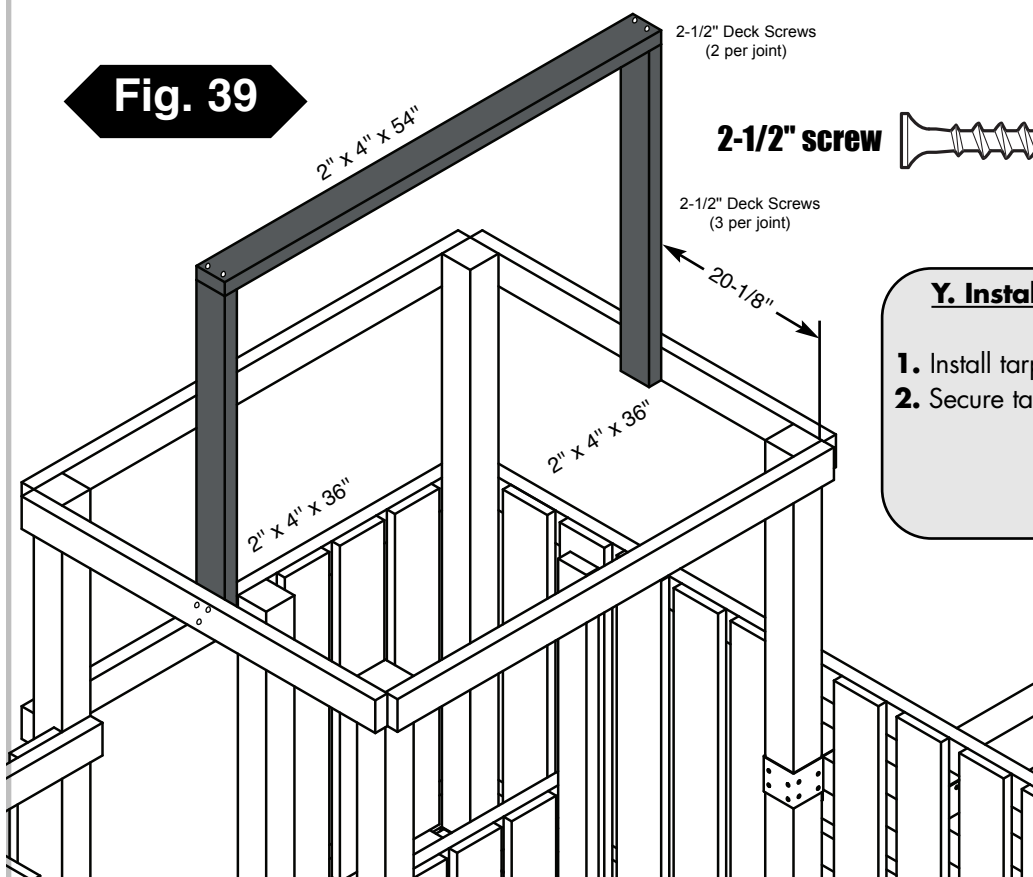
Fig. 38



(2)
2-1/2" screws
each joint

PROJECT 512

Fig. 39



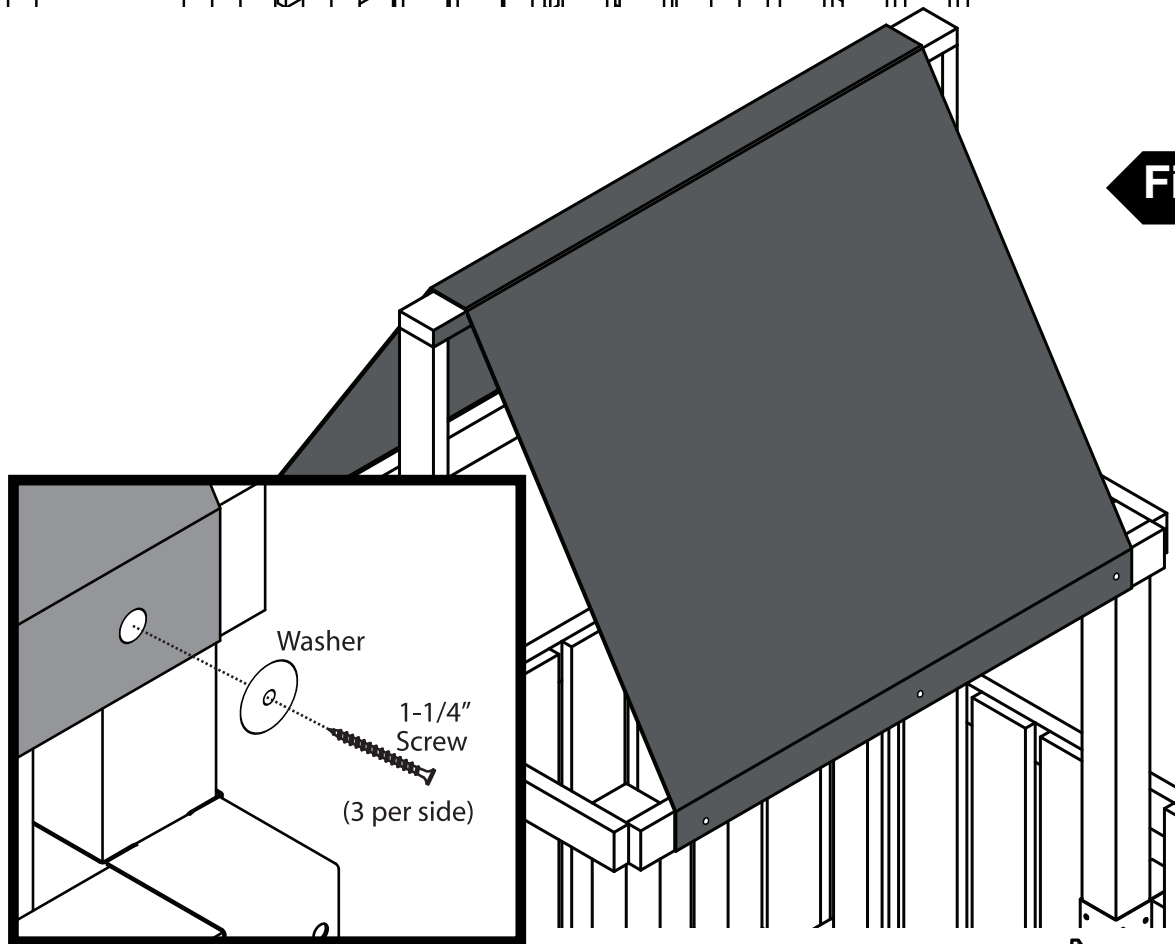
2-1/2" screw



Y. Install Tarp.

1. Install tarp as shown in (Fig. 39)
2. Secure tarp in six locations (Fig 39a).

Fig. 39a

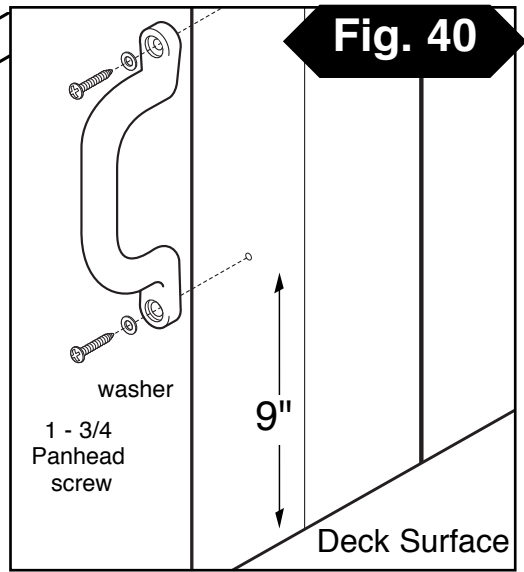


1-1/4" screw

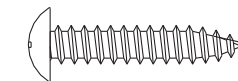


Fig. 41

Fig. 40



**INSTALL PLAY HANDLES
HERE**



1" Truss Screw
Use truss head screws to
to secure slide to deck.

**BB. Slide/Safety Handle
Installation.**

1. Mount safety handles in the ladder opening approximately 9" above the deck surface (**Fig. 40**).
2. Install Slide as shown in (**Fig. 41**)

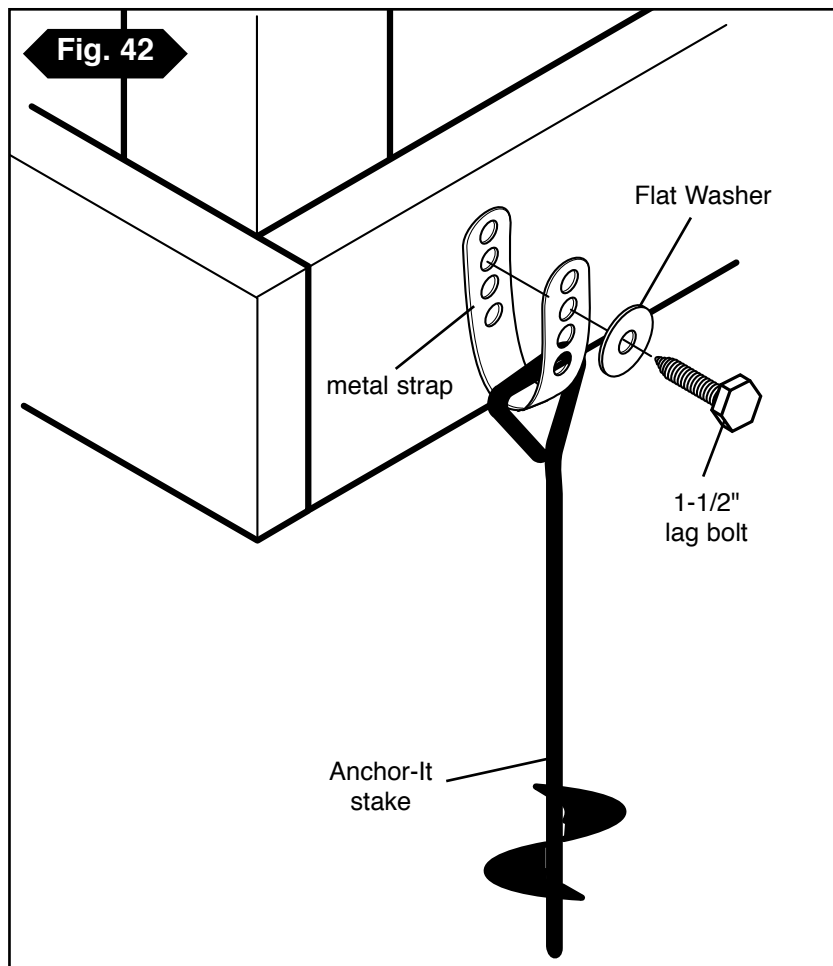
Important:

Do not use hardware provided with slide. Use Truss head screws included with Kit.



**Secure your product ID tag onto easy
to read location of any 4" x 4"
using (2) 2" screws**

Anchor-It (optional, sold separately)

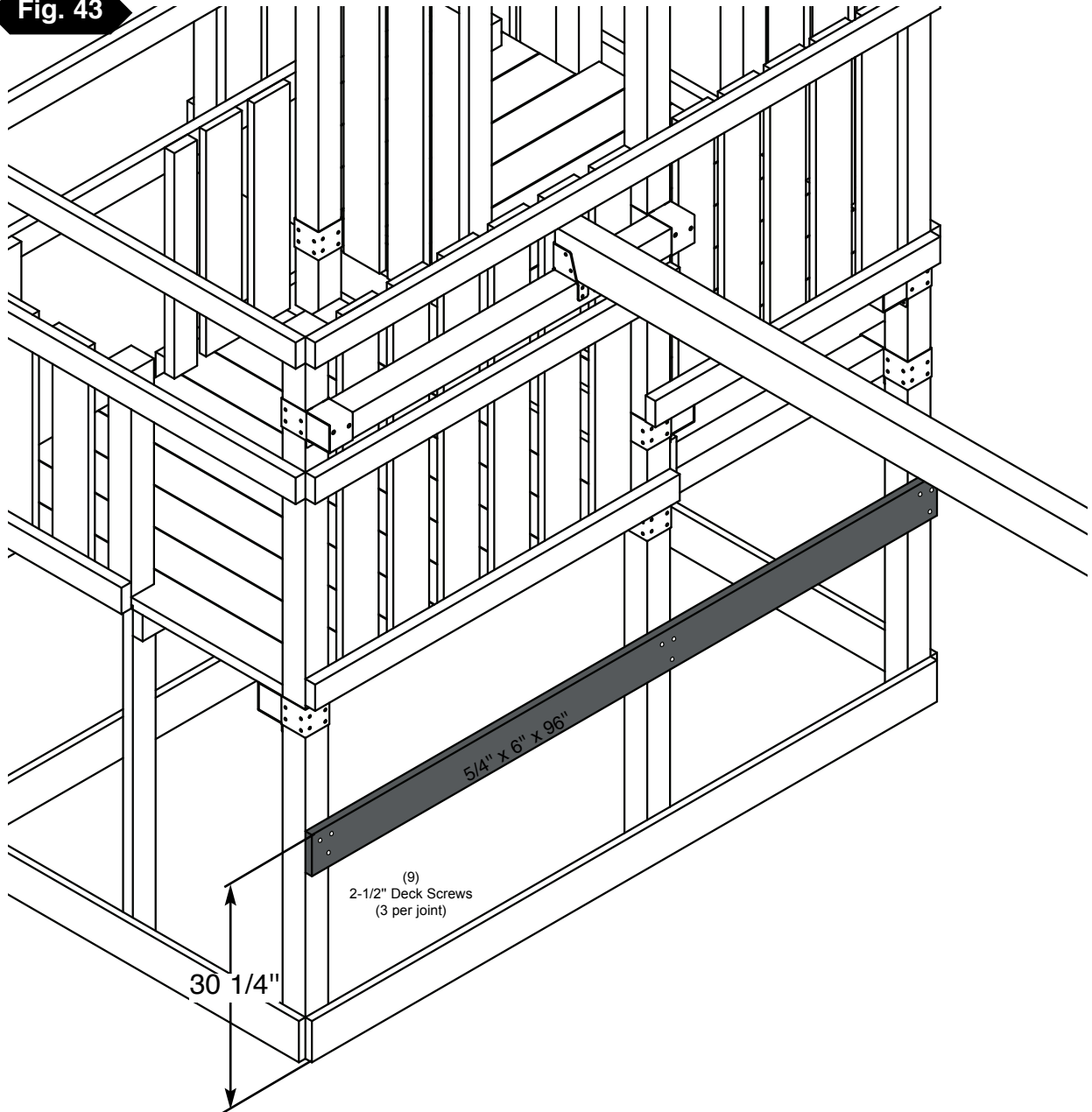


S. Anchor-It Installation (optional).

Instructions for Anchoring Swing•N•Slide Activity Centers

- 1.** Determine the final location of your activity center.
- 2.** Place the Anchor-It stakes adjacent to the base and near the corners of your activity center (at the bottom of the legs on swing sets) and twist the auger-style stakes into the ground until only the loop is exposed.
- 3.** Place the metal strap through the loop of the Anchor-It stake and secure it to the unit with a lag screw and washer as illustrated to the right. Note: Attach the strap to the unit with as little play as possible using whatever holes in the strap that work best.

Fig. 43



2-1/2" screw



Swing Guard

1. Install 5/4" x 6" Swing Guard as shown in **(Fig. 43)**.

PROJECT 512

Fig. 44

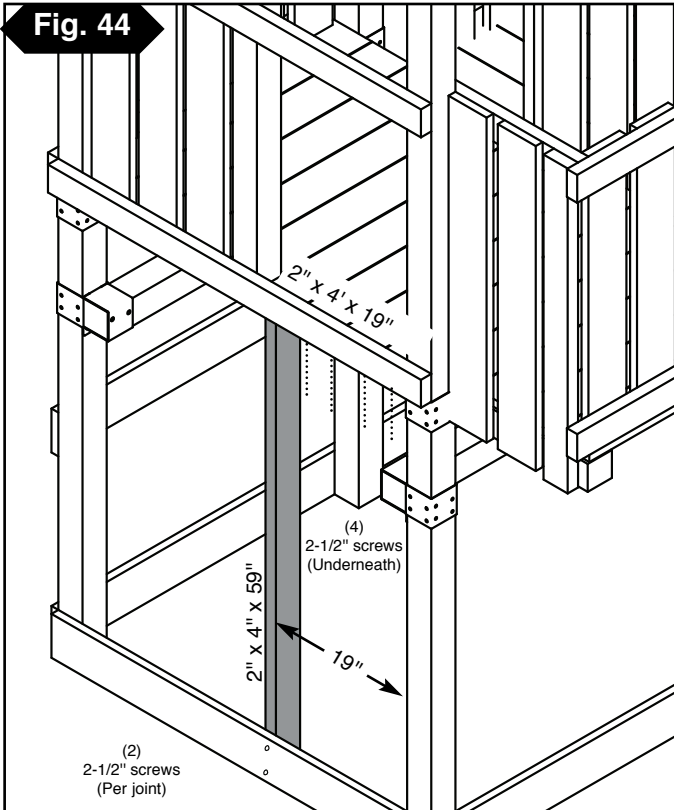
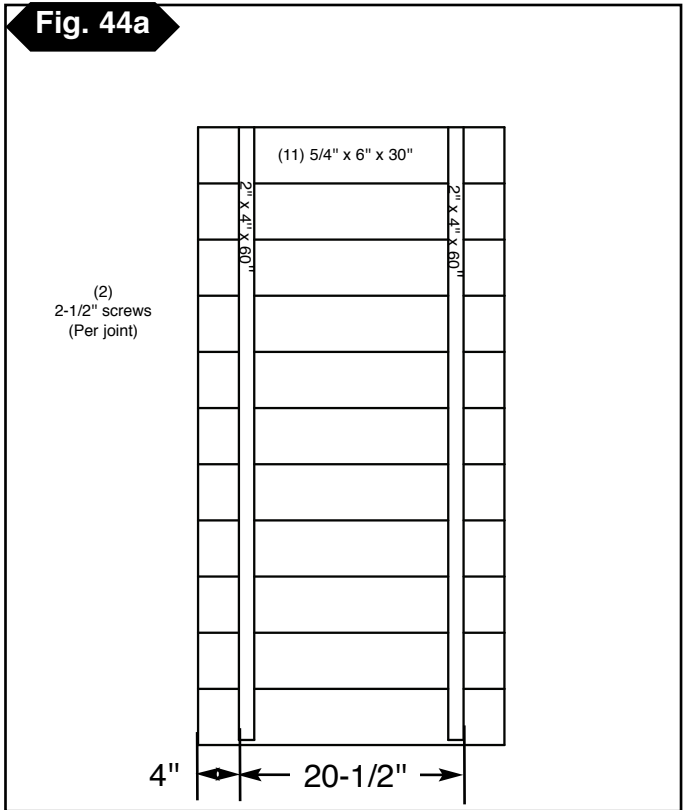


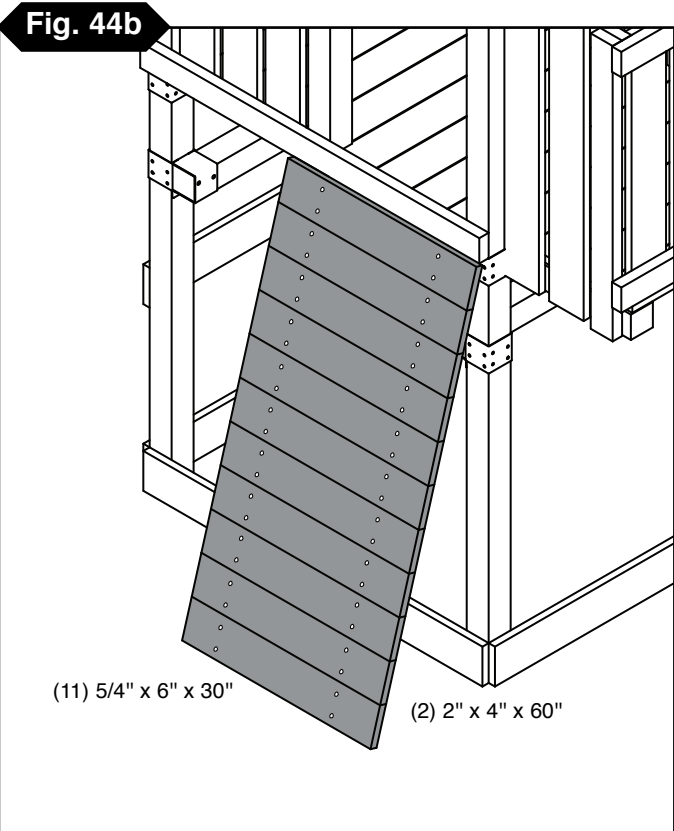
Fig. 44a



2-1/2" screw



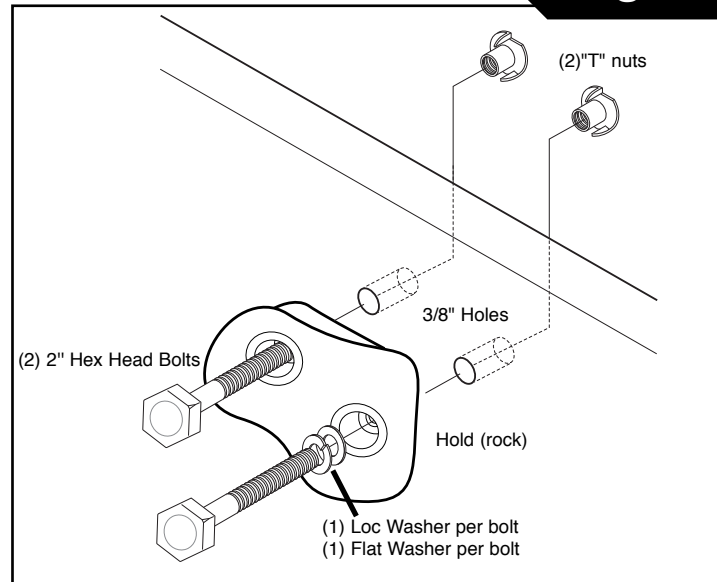
Fig. 44b



NOTE:
 5' Climbing Rock Wall will require
12 Climbing Rocks
 (2) Bags of NE 4543S Climbing Rocks.

- Climbing Wall Cut List.**
- (1) 2" x 4" x 8'-----(1) 2" x 4" x 59"
 - (1) 2" x 4" x 19"
 - (1) 2" x 4" x 10'-----(2) 2" x 4" x 60"
 - (3) 5/4" x 6" x 10'-----(4) 5/4" x 6" x 30"
1. Assemble and install Climbing Wall Frame as shown in **(Fig. 44), (Fig. 44a)**.
 2. Attach (11) 5/4" x 6" boards to (2) 2" x 4" boards and install on unit as shown in **(Fig. 44b)**.
- Note:** Make sure the 2" x 4" supports do not interfere with the mounting of the climbing rocks.

Climbing Rock

Fig. 45


Climbing Rock Installation

- 1.** Mark locations of Climbing Rocks on the Climbing Wall in a pattern that will easily allow your child to climb to the deck. Make sure the bolt hole locations are clear of wall supports before drilling.
- 2.** Drill holes through the wall at the desired locations using a 3/8" drill bit. Install Climbing Rocks as shown in **(Fig. 45)**.
- 3.** Make sure the Climbing Wall and Climbing Rock connections are secure before allowing any children to play on the Climbing Wall.

Questions???
Call our Customer Service Department
at 1-800-888-1232



A PLAYCORE Company