



A PLAYCORE Company

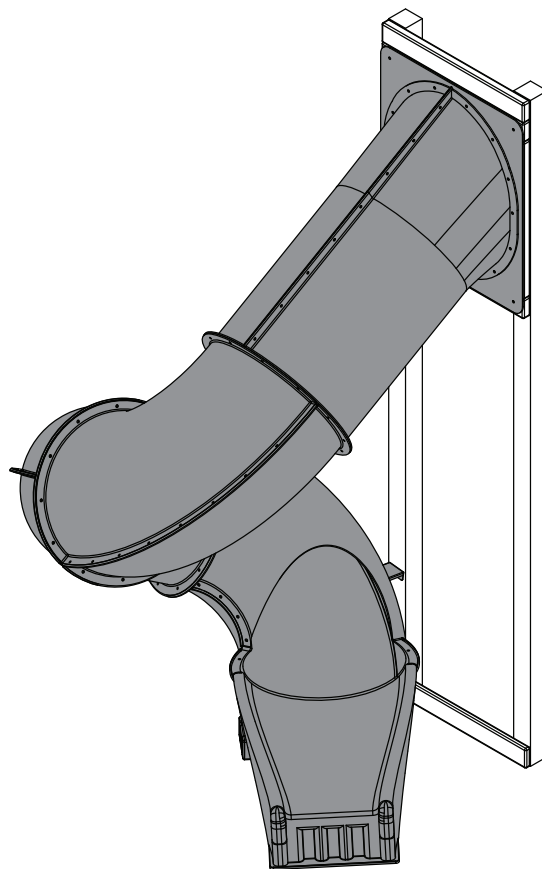
ASSEMBLY INSTRUCTIONS

7' Turbo Tube Slide

Note: This accessory is designed to fit a 7' Deck height only.

CAUTION

- Do not climb on the outside of the slide
- This slide is designed for home use only, not for Public Playgrounds
- Product intended for children ages from 2-10 years old.



WARNING:

Assembly by an adult.

IMPORTANT!!

PLEASE READ BEFORE BEGINNING ASSEMBLY!!

Please make sure all lumber, hardware and accessory parts are accounted for. If you are missing anything, please **DO NOT RETURN** to the store where purchased. Please call our Customer Service Department at the number below.

To register your product and download unit specific Turbo Tube Slide instructions, visit:

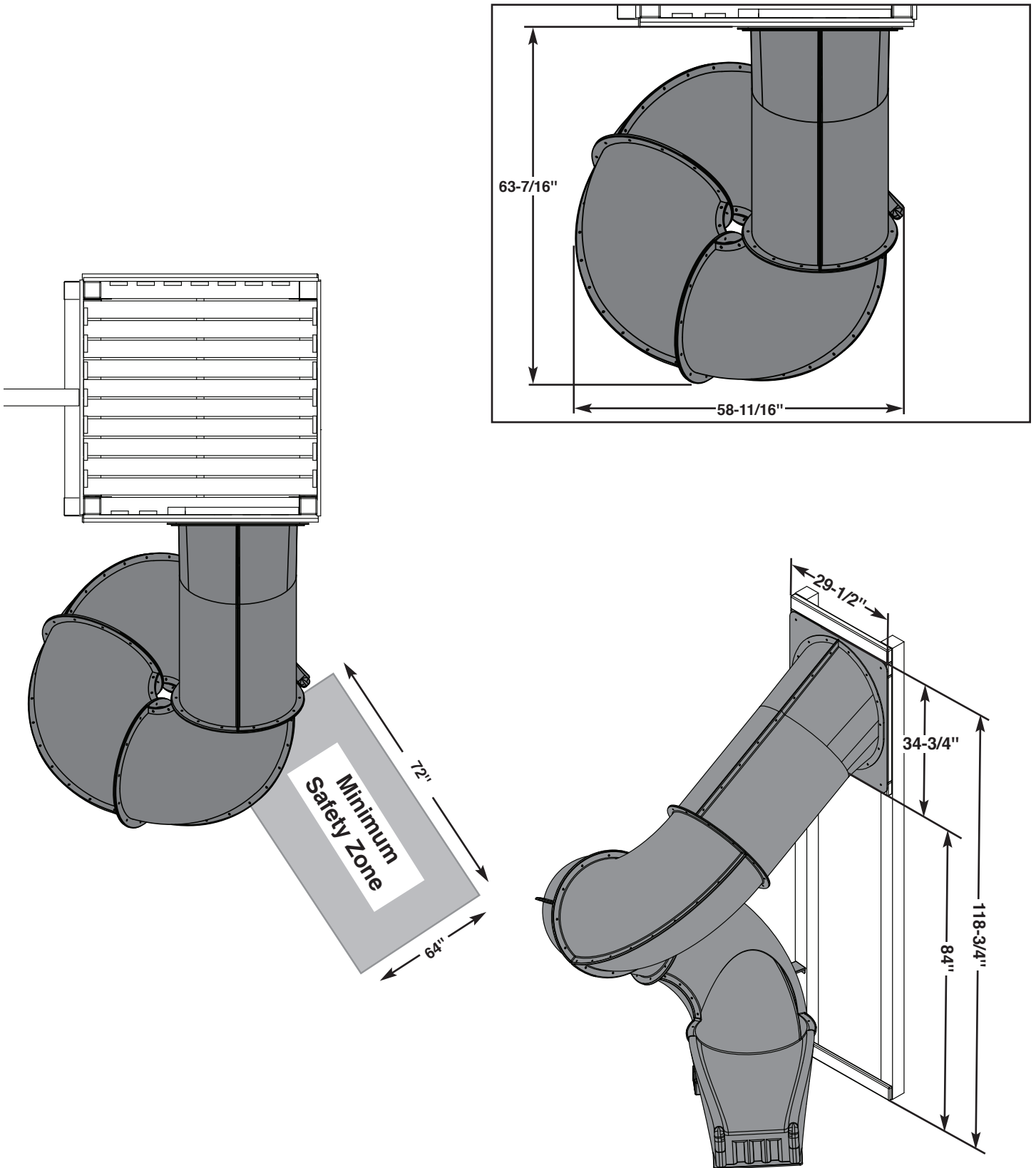
<http://www.swing-n-slide.com>

Other benefits include information on product warranties, assembly plan updates, joining our mailing list for new products and promotions, and providing feedback on products.

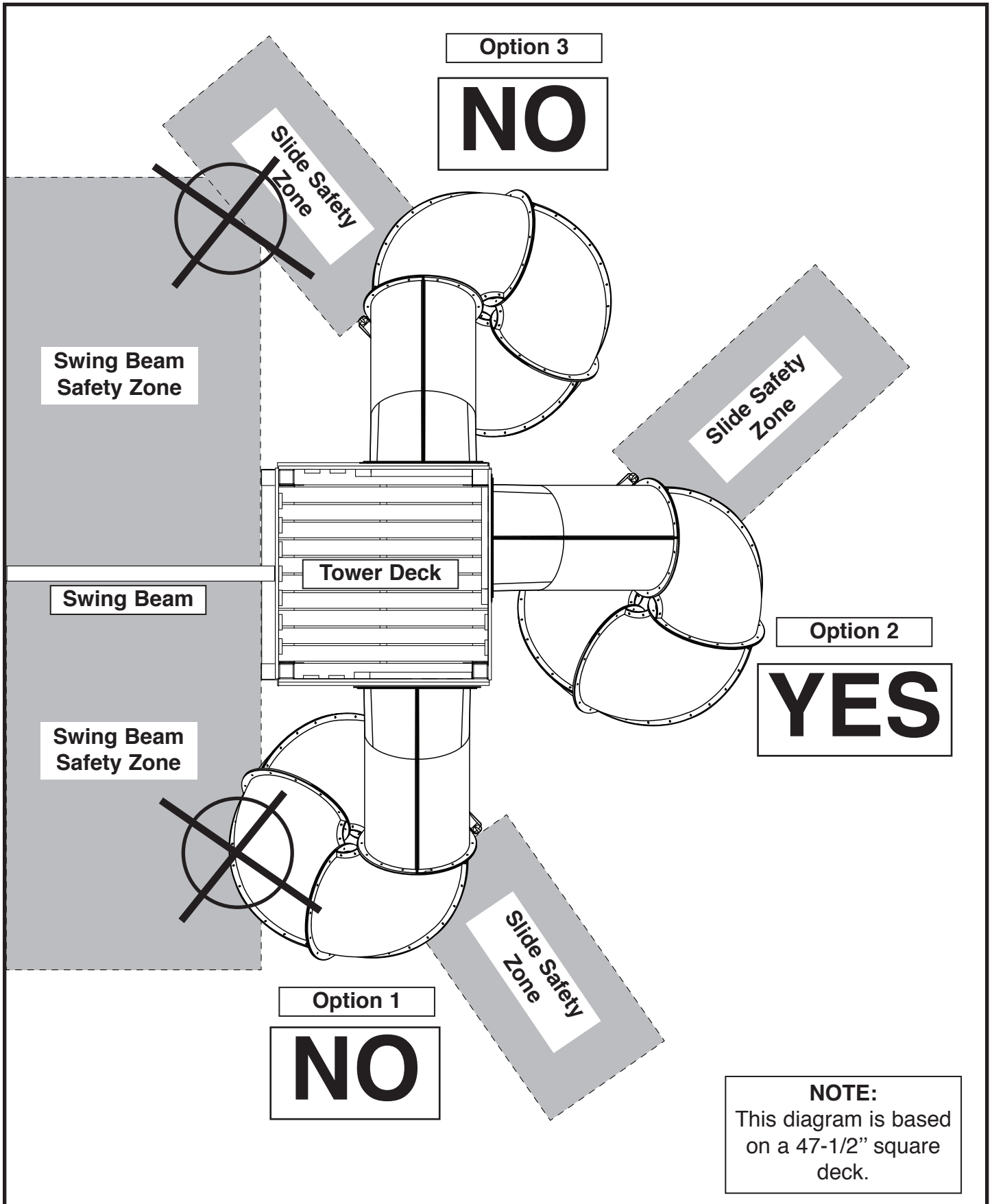
Swing•N•Slide • 1212 Barberrry Drive • Janesville, Wisconsin 53545
Visit our web site at: www.swing-n-slide.com or call us at

1-800-888-1232

Turbo Tube Slide Dimensions



Proper Placement of Turbo Tube Slide on The Tower



Observing the following statements and warnings reduces the likelihood of serious or fatal injury

Installation Safety – Have You:

- Consulted the assembly instructions supplied with your particular model?
- Noted this accessory is to be used only on Swing•N•Slide approved designs? (Do not alter its design or add/remove components.)
- Made sure all hardware is tightened securely? (Supplied bolt covers must also be fastened securely.)
- Using a hacksaw, cut off all protruding threaded ends of bolts and other fasteners and remove any sharp edges with a metal file as needed, and coated fastener ends with lead free paint?
- Placed the equipment on level ground, not less than six feet (1.8 meters) from any structure or obstruction such as a fence, garage, house, overhanging branches, laundry lines, or electrical wires?
- Made sure home playground equipment is not installed over concrete, asphalt, packed earth or any other hard surface? (A fall onto a hard surface can result in serious injury to the equipment user.)
- Verified that suspended climbing ropes, chain, or cable are securely anchored at both ends and cannot be looped back upon itself?
- Consulted in assembly instructions of your particular model for minimum use zones?
- Used a water sealant on your play set to protect the wood and prevent cracking and warping?
- Followed all anchoring and shock absorbing surfacing requirements on the back of this sheet as they apply?
- Made sure not to allow children to use equipment until it is properly installed?
- Made sure to adjust all swings so there is a minimum 8" clearance between the swing and the ground surface?

Operating Safety – Have You:

- Determined that on-site adult supervision is provided for children of all ages?
- Warned children the following before allowing them to use the equipment?
 - Not to walk close to, in front of, behind or between moving items.
 - Not to twist swing or any other accessory chains or ropes or loop them over the top support bar since this will reduce the strength of chain or rope.
 - Not to swing empty seats or other accessories.
 - Not to slide down swing chains.
 - Be sure to sit in the center of the swing seat and other accessories with full weight on the seat.
 - Not to attach items to the playground equipment that are not specifically designed for use with the equipment such as but not limited to, jump ropes, clotheslines, pet leashes, cables and chain. They may cause a strangulation hazard.
 - Not to climb or walk on the top of swing beams, railings or roof.
 - Not to use equipment in a manner other than intended.
 - Not to get off equipment while it is in motion.
 - Not to climb on the equipment when it is wet.
 - Be sure to go down slides feet first.
- Determined that only one child per planned occupant seat should be allowed on this set at one time.
- Determined children must be dressed appropriately for play. Avoid hooded jackets, bicycle or other sports helmets, clothing with draw strings and loose fitting clothes which could become entangled or snagged on equipment.
- Determined that suspended climbing ropes, chain, or cable are securely anchored at both ends and cannot be looped back upon itself.
- Made certain the slide is placed so that it is not in direct sunlight.

Safety Maintenance – Follow these preventive maintenance instructions at the intervals required:

- To prevent the deterioration of materials, remove plastic swing seats and other plastic accessories when outdoors temp dips down to or below 32° F and take indoors. Reinstall these plastic elements at the beginning of each play season.
- At the beginning of each play season check metal parts for rust. If found, sand and repaint using a non lead-based paint meeting the requirements of 16 CFR 1303 or SOR/2005-109.
- At the beginning of each play season and once a month during each play season, check all moving parts for wear, rust or other deterioration. Replace as needed. If any of these conditions exist, call 1-800-888-1232 to order replacement accessories.
- At the beginning of each play season and once a month during each play season lubricate metallic moving parts.
- At the beginning of each play season and twice a month during each play season, check all protective coverings on bolts, pipes, edges, and corners. Replace if they are loose, cracked, or missing.
- At the beginning of each play season and twice a month during each play season, rake and check depth of loose fill protective surfacing material to prevent compaction and maintain appropriate depth. Replace as necessary.
- At the beginning of each play season and twice a month during each play season tighten all hardware.
- At the beginning of each play season and twice a month during each play, check all wood members for deterioration and splinters. Sand down splinters and replace deteriorating wood members.

Disposal Instructions

When the equipment is taken out of service, it must be disassembled and disposed of in such a way that no unreasonable hazards will exist at the time the set is discarded.

**Important! Additional Safety Instructions for all Swing-N-Slide Playground Equipment.
Save this instruction sheet in the event the manufacturer needs to be contacted.**

This product is intended for single family home/residential use only and not intended for use in any public setting. Placement in any public setting constitutes a misuse of this product.

IMPORTANT!

ADDITIONAL REQUIRED SAFETY INSTALLATION INSTRUCTIONS

According to ASTM requirements, all kits must be anchored to the ground and, if the unit has a climbing rope, the rope end must be anchored to the ground. If soil conditions permit stakes to be pulled out easily, cementing into ground is necessary.

- **To anchor the unit to the ground,** Follow the instructions included in this plan for applying Anchor-It devices to your unit, or use 2" x 4" x 18" (45mm x 95mm x 457mm) pressure-treated stakes. Pound stakes into ground at least 12" (305mm) at all inside corners of the posts (including A-frame legs and climbing unit posts). Attach with four (4) 16D (3-1/2") galvanized nails per stake into each tower and/or A-frame upright.
- **If the unit has a climbing rope,** securely anchor the rope at both ends.
- **Once the unit is completely assembled and before children are allowed to play on it, proper shock-absorbing surfacing material must be installed.** This may be accomplished by using loose-fill materials at a sufficient depth. The Consumer Product Safety Commission "Handbook for Public Playground Safety" lists the following materials and required depths that are sufficient for home/residential application. Supplemental information may be found in ASTM F1292. For fall height protection up to 9 ft. (2.742m) [recommended for Swing•N•Slide kits]:

<u>LOOSE FILL MATERIAL</u>	<u>REQUIRED (UNCOMPRESSED) DEPTH¹ in. (mm)</u>
Wood Mulch	9" (229mm)
Double Shredded Bark Mulch	9" (229mm)
Uniform Wood Chips	12" (305mm)

¹These depths were derived from the CPSC Handbook. Swing•N•Slide has not done independent tests to determine these required depths.

When properly installed, shock absorbing material will completely cover the horizontal baseboards on climbing units. This protective surfacing must extend a **minimum** of 6 ft. (1.828m) in all directions from the perimeter of the equipment or from the outermost edges of any component. For example, a slide extending beyond the platform must have protective surfacing at least 6 ft. (1.828m) out from both sides as well as the end. For swings, the protective surface must extend **at least 14 ft. (6m)** out from **both** the back and front of the swing when the swing is in its rest position.

For further information on playground safety, the Consumer Product Safety Commission (CPSC) publishes the Outdoor Home Playground Safety Handbook which can be downloaded for free from www.cpsc.gov. An additional resource is the American Society of Testing and Materials (ASTM) Standard Consumer Safety Performance Specification for Home Playground Equipment (ASTM F1148) which can be purchased and downloaded from www.astm.org.

Swing-N-Slide® MANUFACTURERS LIMITED WARRANTY

Swing-N-Slide® takes great pride in the quality and durability of our products. Our Manufacturer's Limited Warranty provides confidence and demonstrates our commitment to providing quality residential playground products.

MANUFACTURER'S LIFETIME LIMITED WARRANTY

Swing-N-Slide® warrants its thermoformed slides and climbing mountains to be free from defects in workmanship and materials, under normal use and conditions, for the lifetime of the product.

MANUFACTURER'S 5 YEAR LIMITED WARRANTY

Swing-N-Slide® warrants its Custom Ready-to-Build Play Set kits and accessories to be free from defects in workmanship and materials, under normal use and conditions, for a period of 5 years.

MANUFACTURER'S 5 YEAR LIMITED WARRANTY

Swing-N-Slide® warrants its No-Cut and Wood Complete Ready-to-Assemble Play Set kits against wood rot and termite damage, and to be free from defects in workmanship and materials, under normal use and conditions, for a period of 5 years for structural wood components.

Cosmetic defects that do not affect the structural integrity of the product, or natural defects of wood such as warping, splitting, checking, twisting, shrinkage, swelling or any other physical properties of wood that do not present a safety hazard, are not covered by this warranty.

MANUFACTURER'S ONE YEAR WARRANTY

Swing-N-Slide® warrants its canopy roofs and/or tarps, and Timber GLOVE lumber wrap to be free from defects in workmanship and materials, under normal use and conditions, for a period of one year.

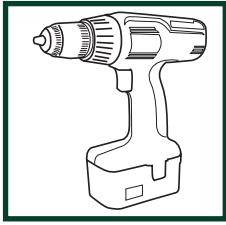
Swing-N-Slide® will repair, or at its discretion, replace any part within the stated warranty period which is defective in workmanship or materials. This decision is subject to verification of the defect upon delivery of the defective part to Swing-N-Slide® at 1212 Barberry Drive, Janesville, Wisconsin, 53545. Any part(s) returned to Swing-N-Slide® must have prior approved Return Authorization Number and proof of purchase, including the date of purchase. This warranty is valid only if the product is used for the purpose for which it was designed and installed at a residential, single family dwelling. This warranty is void if the product is put to commercial or institutional use. This warranty does not cover (a) products which have been damaged by acts of Nature, negligence, misuse, or accident, or which have been modified or repaired by unauthorized persons; (b) the cost of labor; or the cost of shipping the product, any part, or any replacement product or part.

Swing-N-Slide® DISCLAIMS ALL OTHER REPRESENTATIONS AND WARRANTIES OF ANY KIND, EXPRESS, IMPLIED, STATUTORY OR OTHERWISE, INCLUDING THE IMPLIED WARRANTIES OF MERCHANTABILITY AND FITNESS FOR A PARTICULAR PURPOSE. Swing-N-Slide® WILL NOT BE LIABLE FOR ANY INCIDENTAL OR CONSEQUENTIAL DAMAGES. This warranty is non-transferable and does not extend to the owners of the product subsequent to the original purchaser. Some states do not allow limitations on implied warranties or exclusion of incidental or consequential damages, so these restrictions may not be applicable to you. This warranty gives you specific legal rights. You may also have other rights, which vary from state to state.

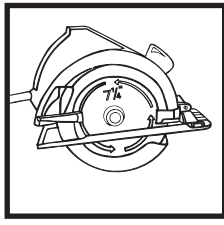
This warranty also does not apply to:

- Structures not erected, maintained or inspected in conformance with **Swing-N-Slide®** installation plans
- Structures that have had parts added or substituted not in conformance with **Swing-N-Slide®** installation plans
- Parts that have been modified, altered or misused
- Parts that have not been used as designed or intended
- Damage due to acts of Nature, vandalism, abnormal use or abuse as determined by **Swing-N-Slide®**

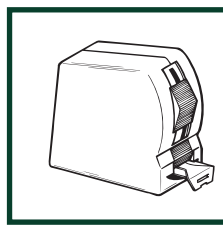
TOOLS REQUIRED



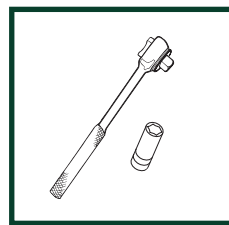
DRILL



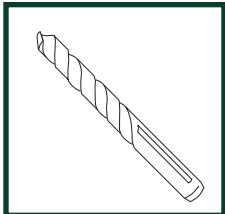
CIRCULAR SAW



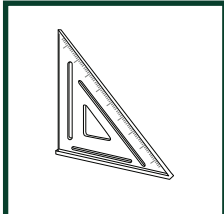
TAPE MEASURE



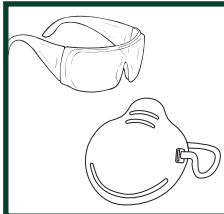
1/2" SOCKET & WRENCH



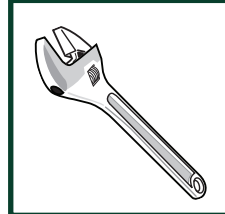
1/8" DRILL BIT



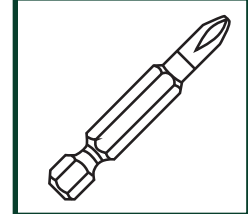
SQUARE



**SAFETY GLASSES
& DUST MASK**



WRENCH

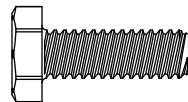


PHILLIPS BIT

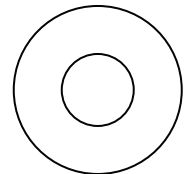
HARDWARE INCLUDED



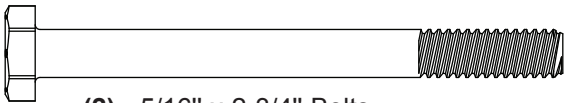
(12) 5/16" x 1-1/2" Lag Bolts



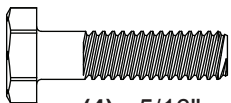
**(95) 5/16" x 3/4" Hex
Head Bolts**



(214) 5/16" Flat Washers



(2) 5/16" x 2-3/4" Bolts



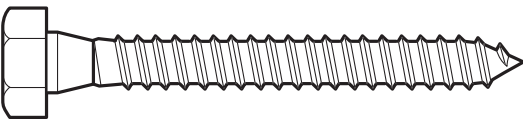
(4) 5/16" x 1" Bolts



(22) 2-1/2" Wood Screw

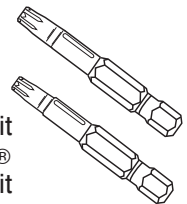


(101) 5/16" loc nuts



(4) 5/16" x 2-1/2" Lag Bolts

**(1) T20 Torx® Bit
Broca T20 Torx®
(1) T30 Torx® Bit
Broca T30 Torx®**



ADDITIONAL LUMBER PURCHASED SEPARATELY

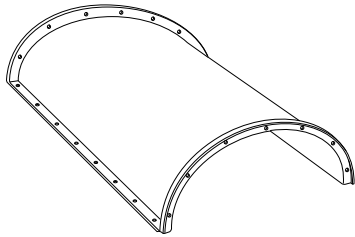
LUMBER CUT LIST-Cut Lumber First!

LUMBER REQUIRED: (1) 2" x 4" x 96"

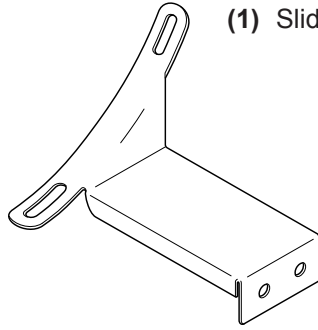
20"	20"	20"	9-1/4"	9-1/4"	7"	X
-----	-----	-----	--------	--------	----	---

(1) 2" x 4" x 96"

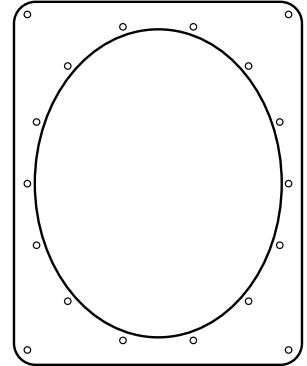
SLIDE COMPONENTS



(1) Entrance Section marked no. 1

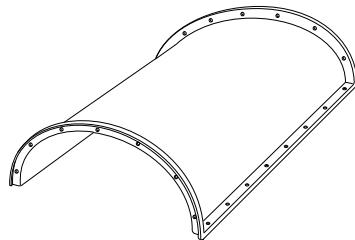
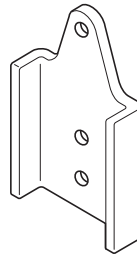


(1) Slide Bracket

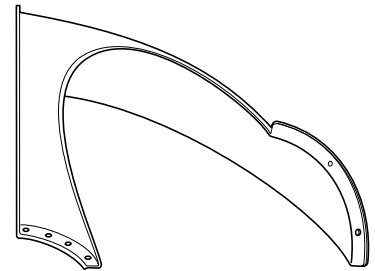


(1) Entrance Panel

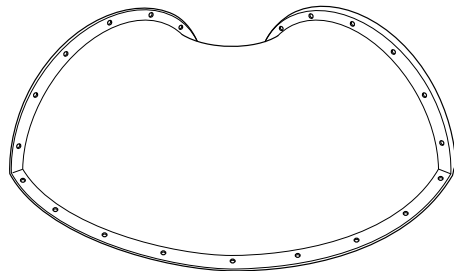
(1) Support Bracket



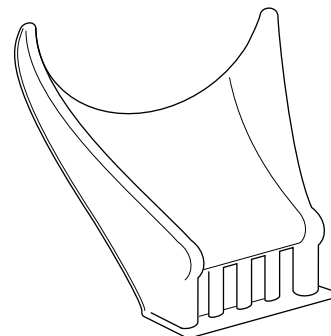
(1) Entrance Section marked no.2



(1) Exit Section marked no. 5

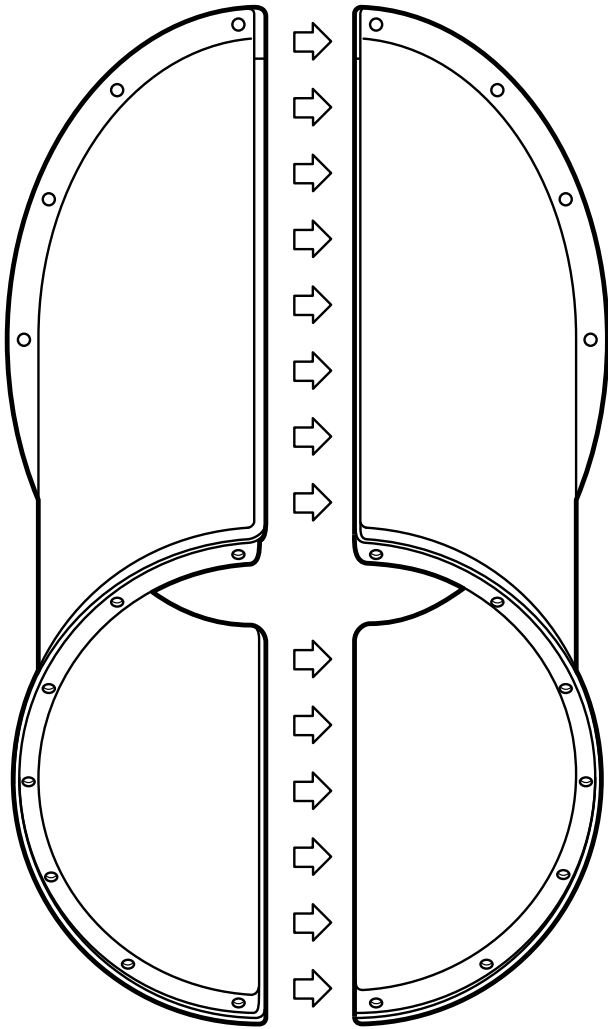


(2) 90 Sections w/flange, marked no. 4
(3) 90 Sections w/o flange, marked no. 3



(1) Slide Base marked no. 6

Fig. 1



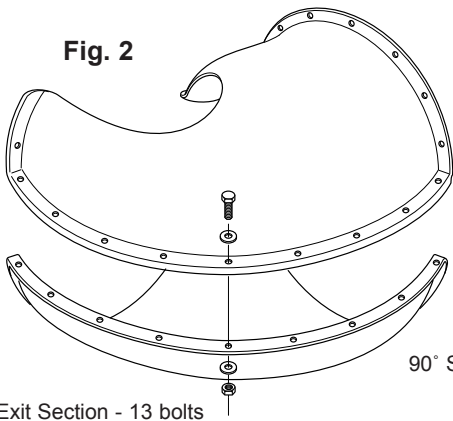
Entrance Section - 14 bolts

ENTRANCE SECTION, 90° SECTION (2) AND EXIT SECTION

NOTES:

- At least two individuals are needed to assemble the Turbo Tube Slide.
 - To aid in aligning holes when assembling sections, insert a screwdriver through adjacent holes to maintain hole alignment.
1. Identify each slide section as either (1), (2), (3), (4), (5), or (6) as marked on the lip of each piece.
 2. Assemble entrance section using pieces (1) & (2), two 90° sections using pieces (3) & (4), and the exit section using pieces (5) & (6). Join sections using a 3/4" hex head bolt, two flat washers, and a loc nut at each hole junction (Fig. 1, 2 & 3). **NOTE:** Fasten each loc nut finger tight until the entire slide is assembled. Each time you join parts be sure each flanged lip is mating with a flat lip.

Fig. 2



Exit Section - 13 bolts

90° Section (2 are required) - 13 bolts each

Fig. 3

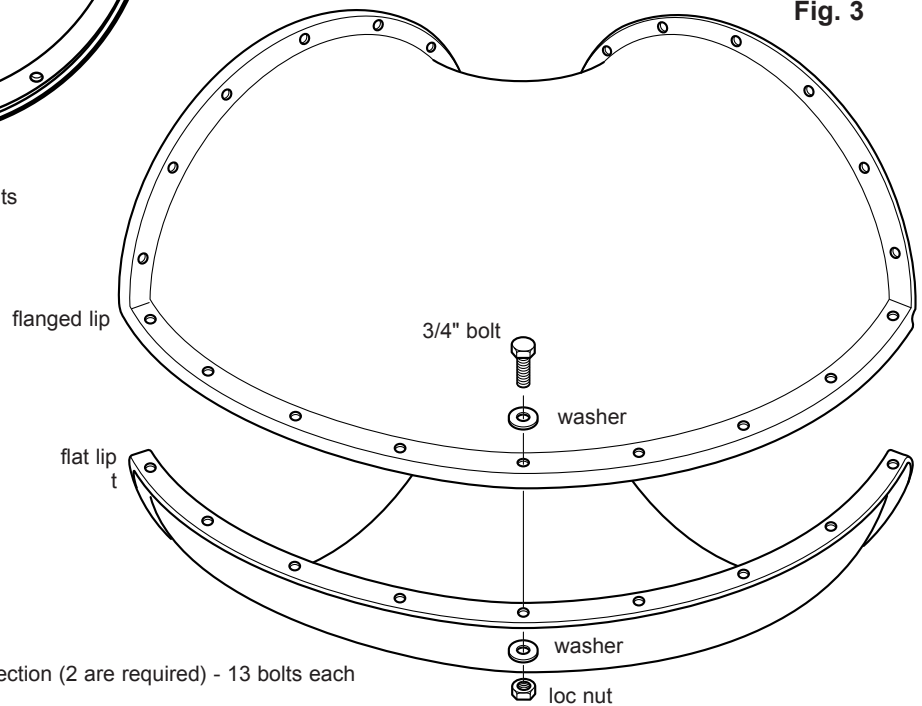


Fig. 4

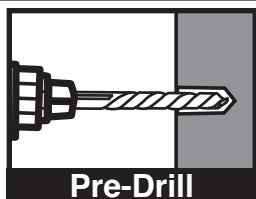
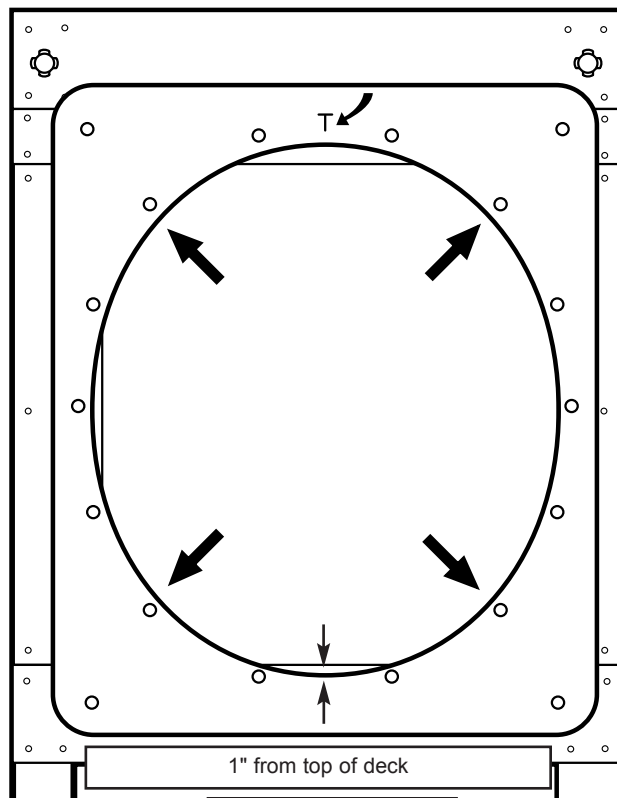
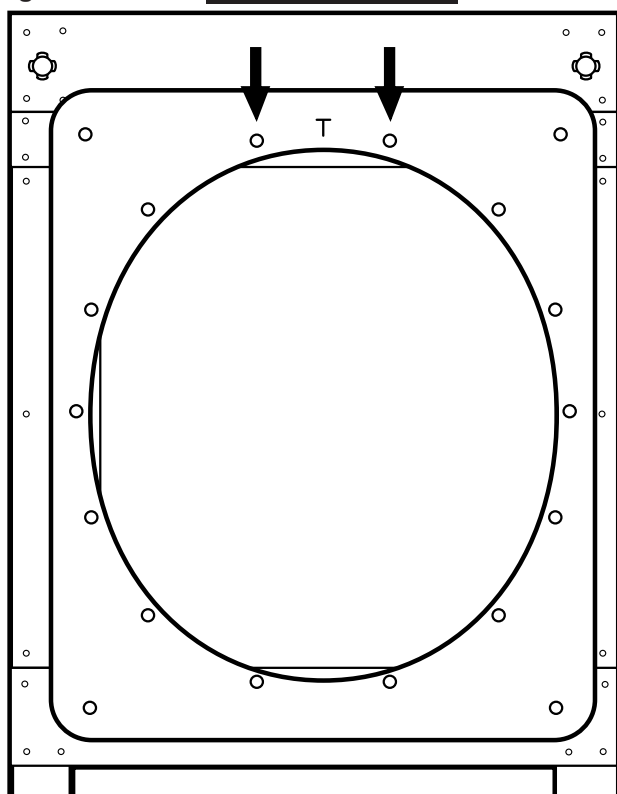


Fig. 5



MOUNTING PANEL

1. Position the mounting panel as indicated in (Fig. 4) (The stamped "T" should be at the top). The panel should be placed to the opening so all the bolt holes fully expose a wood surface **except those identified with arrows (which should be clear of any wood surface)**. The bottom of the opening should be approximately 1" below the deck surface.
2. Hold the panel in position and mark all hole locations. Remove panel.
3. Drill a 3/8" hole through the top support at the locations indicated in (Fig. 5) (two holes are required).
4. Drill pilot holes at the remaining hole locations using a 1/8" drill bit. **NOTE:** The pilot holes at each corner hole location should be approximately 2" deep. The remaining pilot holes should only be 1" deep.
5. Align the mounting panel to the previously assembled entrance section (see Fig. 1, page 7). Attach the mounting panel to the entrance section at the hole locations indicated in (Fig. 4) using one 1" bolt, two washers and one loc nut per hole as indicated in (Fig. 6). **NOTE:** Hand tighten the loc nuts only.

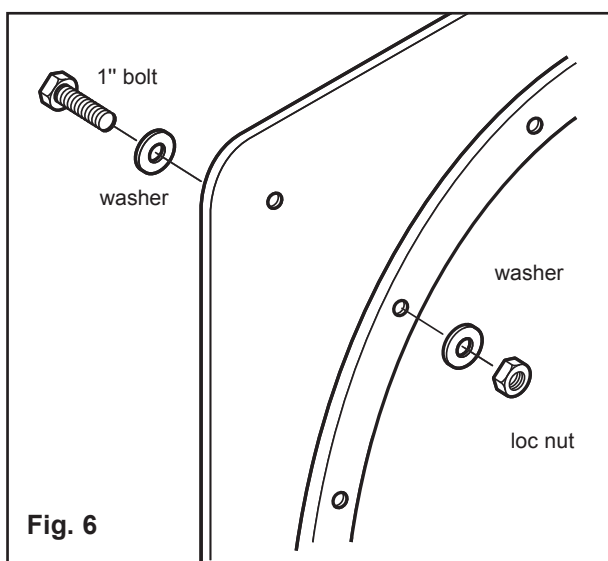
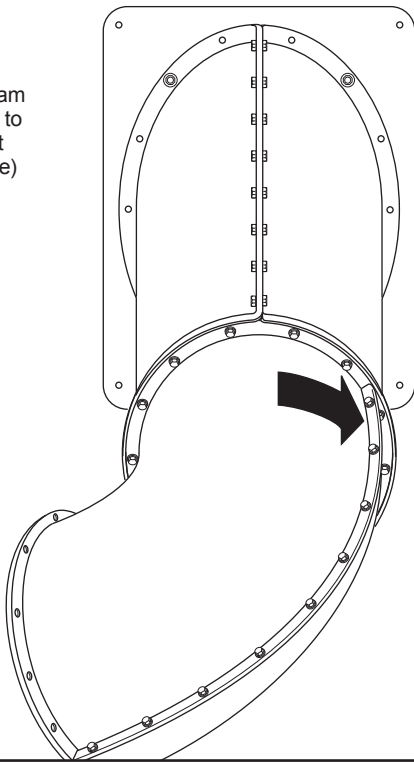


Fig. 7

Rotate seam two holes to the right (clockwise)



TUBE ASSEMBLY

1. Position the 90 section to the entrance section so the seams line up. Rotate the section two holes to the right (clockwise) and realign with the holes of the entrance section (see Fig. 7).

2. Insert a 3/4" bolt through a washer, through the holes of slide sections, a second washer and secure with a loc nut.

NOTE: Insert first bolt and continue in a clockwise rotation. Do not skip holes. Hand tighten the loc nuts only at this time.

3. Position the 90 section to the previously attached section so the seams line up. Rotate the section two holes to the left (counterclockwise) and realign with the holes of the entrance section (Fig. 8).

4. Insert a 3/4" bolt through a washer, through the slide sections, a second washer and secure with a loc nut. **NOTE: Hand tighten the loc nuts only at this time.**

Fig. 8

Rotate seam two holes to the left (counterclockwise)

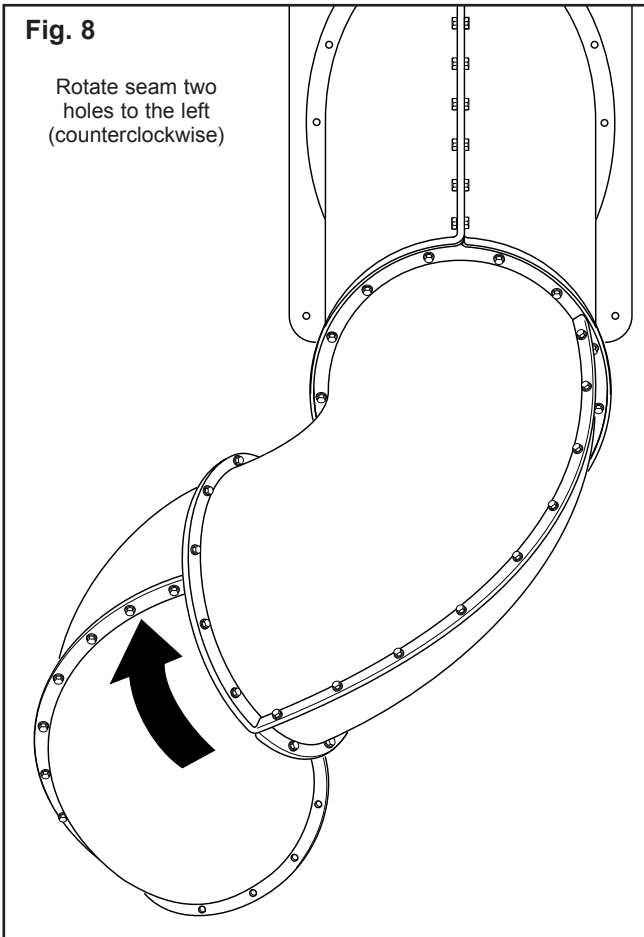
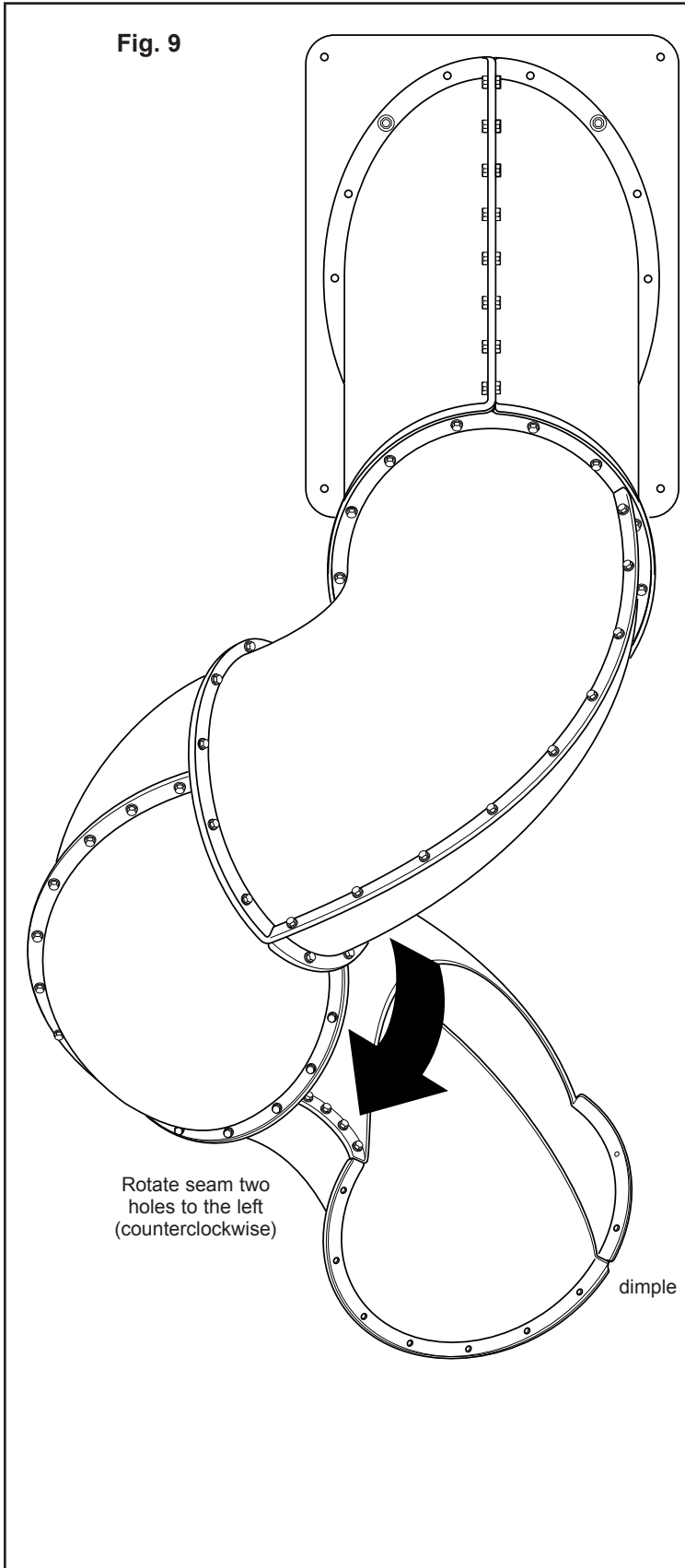


Fig. 9

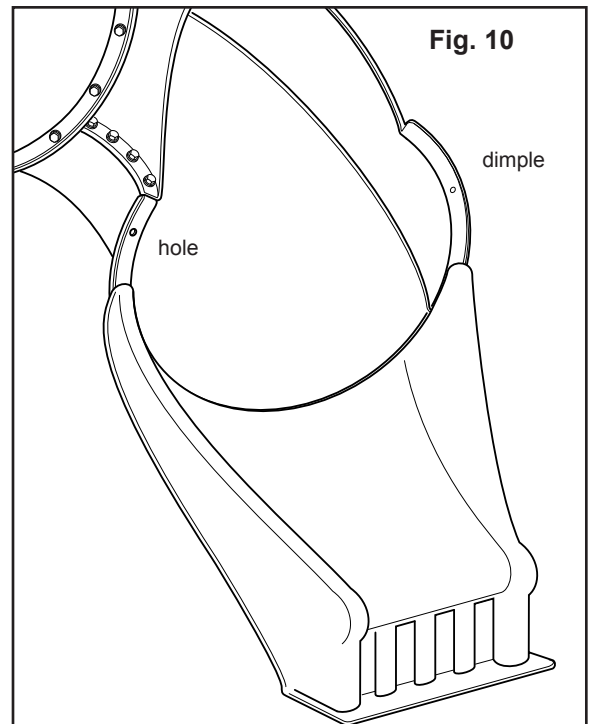


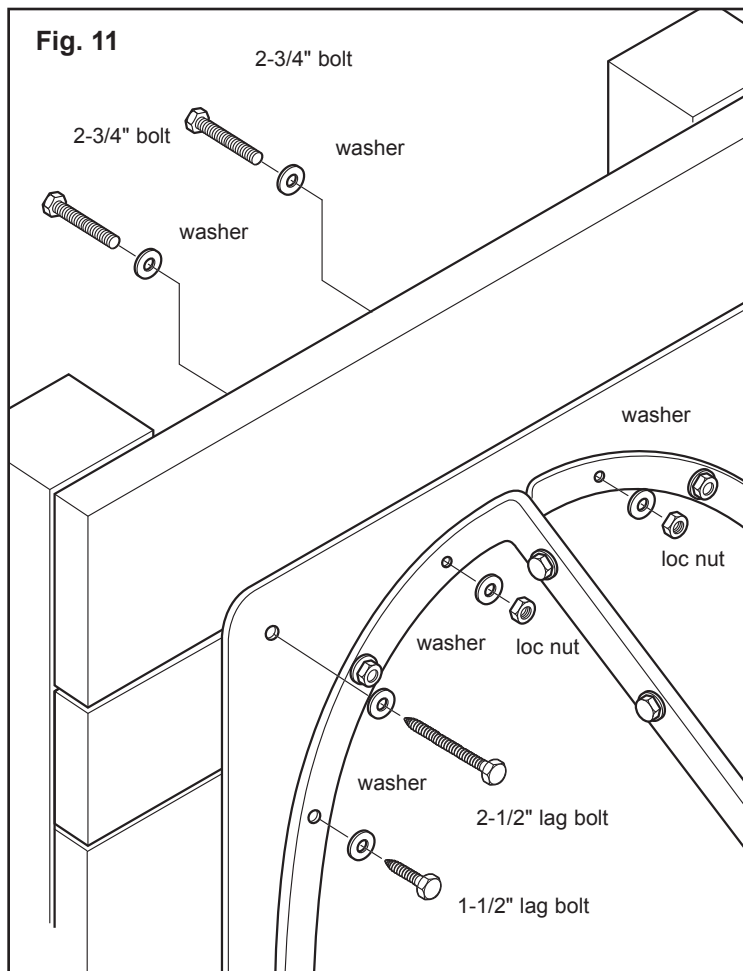
TUBE ASSEMBLY (CONT.)

5. Position the exit section to the previously attached sections so the seams line up. Rotate the section two holes to the left (counterclockwise) and realign with the holes of the entrance section (see Fig. 9).
6. Insert a 3/4" bolt through a washer, through the slide sections, a second washer and secure with a loc nut.
NOTE: Hand tighten the loc nuts only at this time.
7. Position the slide base to the slide assembly as indicated in (Fig. 10).
8. Insert a 3/4" bolt through a washer, through the slide sections, a second washer and secure with a loc nut.
9. Tighten all of the bolts of the slide sections securely at this time.

NOTE: Do not tighten the bolts of the mounting plate at this time.

Fig. 10





MOUNTING SLIDE

1. The help of at least one other individual will be required for mounting the slide.
2. Insert the 2-3/4" bolts through a washer, through previously drilled 3/8" holes in the upper rail of the unit (see Fig. 11).
3. Carefully lift the slide assembly to the opening of the unit. Place the mounting panel/slide assembly on the 2-3/4" bolts previously inserted (see Fig. 11). Place washers and loc nuts on the bolts and hand tighten.
4. Adjust the mounting panel/slide assembly until the holes of the mounting panel align with the previously drilled pilot holes.
5. Attach the top corners of the mounting panel/slide assembly first using a 2-1/2" lag bolt and washer. Secure the remainder of the panel/slide assembly to the unit using 1-1/2" lag bolts and washers at each open hole location (8 are required).
6. Tighten the 2-3/4" bolts securely.
7. Attach the bottom corners of the mounting panel/slide assembly using a 2-1/2" lag bolt and washer.

SLIDE BASE

1. Remove approximately 3" of grade directly beneath the base of the slide.

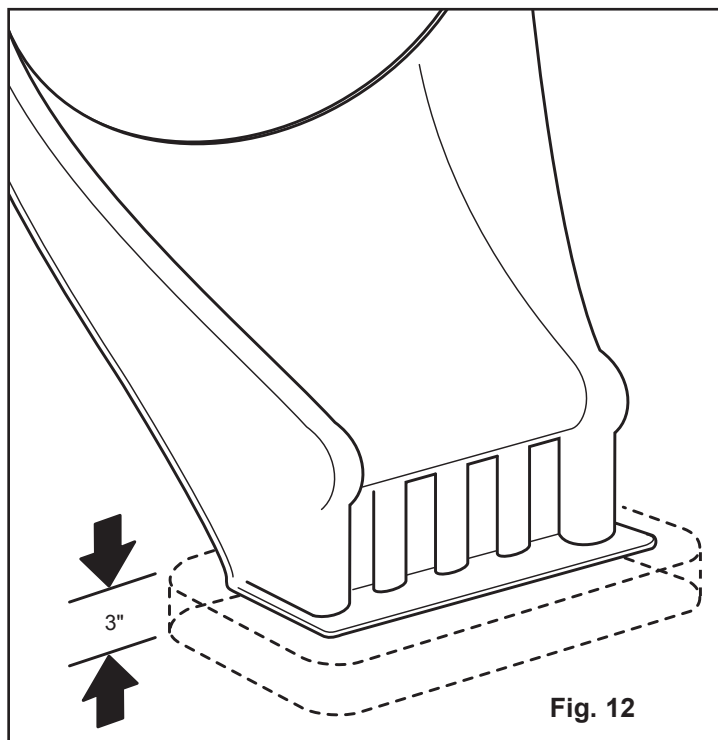
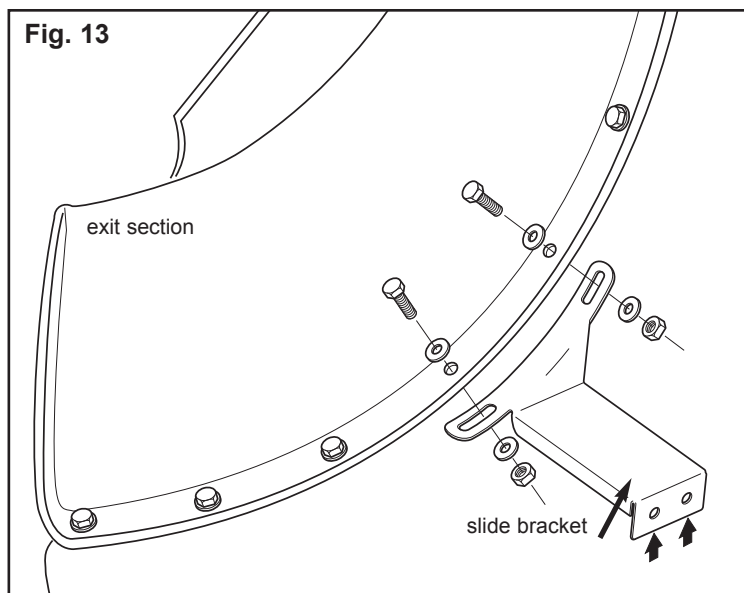


Fig. 13



SUPPORT AND BRACKET ASSEMBLY

1. Position the slide bracket between the slide and activity center (Fig. 13). Remove appropriate bolts from the slide (the fourth and fifth bolts as indicated), Attach bracket to the underside of the seam using the previously removed hardware (Fig. 13).
2. If necessary, move slide towards the activity center until the slide bracket makes contact with the unit. Using holes in the bracket (indicated by arrows in Fig. 13) as a guide, mark and drill 1/8" pilot holes (1" deep). **NOTE:** You may need to temporarily remove the slide bracket to drill the pilot holes.
3. Re-attach bracket (if necessary) and secure it to the unit using two 1-1/2" lag bolts .
4. Assemble the support base as shown in (Fig. 14).
5. Attach the support bracket to the support base using two 2" lag bolts (Fig. 15). **NOTE:** Pre-drill 1/8" pilot holes.
6. Place the support beneath the slide base and determine its final position. **NOTE:** Slide support should fit tightly beneath the slide to assure proper support. Remove corresponding nut and bolt, attach support to the slide as indicated in (Fig. 16). Re-attach hardware.
7. Level grade at the bottom of the slide.

Fig. 14

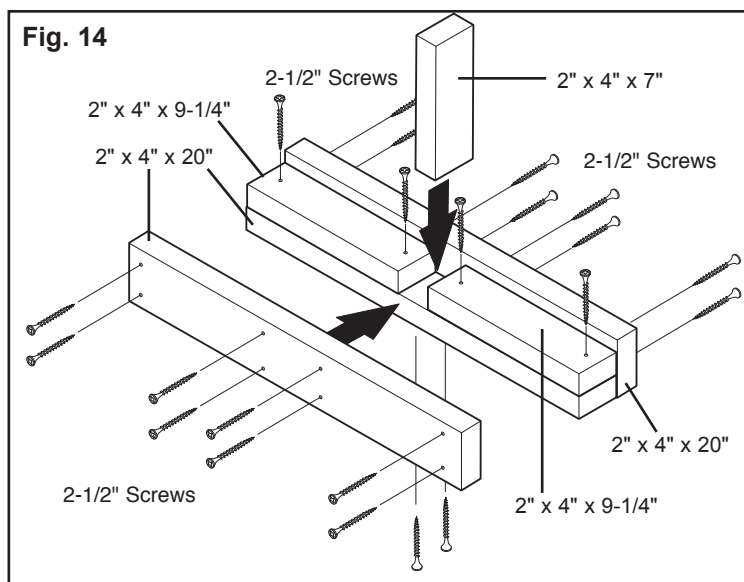


Fig. 15

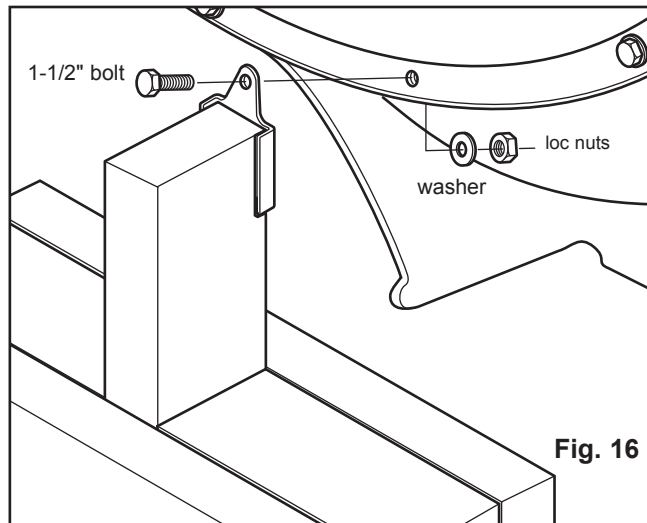
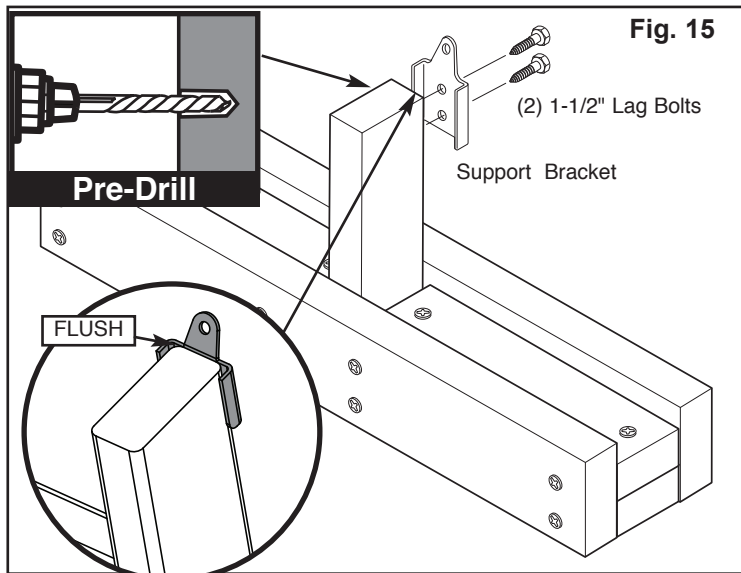
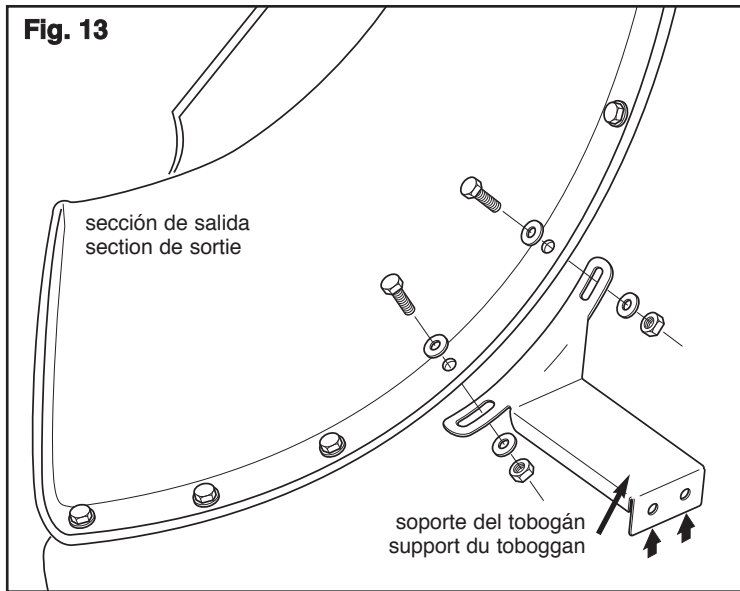


Fig. 13



ENSAMBLAJE DE RESPALDO Y SOPORTE

1. Coloca el soporte del tobogán entre el tobogán y el centro de actividades (Fig. 13). Quita los pernos adecuados del tobogán (el cuarto y quinto perno, como se indica), asegura el soporte al lado inferior del borde usando los herrajes recién quitados (Fig. 13).
2. De ser necesario, mueve el tobogán hacia el centro de actividades hasta que el soporte haga contacto con la unidad. Usando como guía los orificios en el soporte (indicados con flechas en la Fig. 13), marca y taladra orificios piloto de 1/8 plg (2,54 cm de profundidad). **NOTA:** Puede que sea necesario quitar temporalmente el soporte del tobogán para taladrar los orificios piloto.
3. Vuelve a colocar el soporte (de ser necesario) y asegúralo a la unidad con dos pernos tirafondos de 1-1/2 plg.
4. Ensambla la base de respaldo como se muestra en la Fig. 14.
5. Asegura los soportes de montaje a la base de soporte con dos pernos tirafondos de 2 plg (Fig. 15). **NOTA:** Pretaladra orificios pilotos de 1/8 plg.
6. Coloca el respaldo bajo la base del tobogán y determina su posición final. **NOTA:** El respaldo del tobogán debe ajustarse bien bajo el mismo para garantizar un soporte adecuado. Quitá el perno y la tuerca correspondientes, asegura el respaldo al tobogán como se indica en la Fig. 16. Vuelve a colocar los herrajes.
7. Nivelá la graduación en la parte inferior del tobogán.

ASSEMBLAGE DU SUPPORT DE FIXATION

1. Positionnez le support du toboggan entre le toboggan et le centre d'activité (Fig. 13). Retirez les boulons appropriés du toboggan (les quatrième et cinquième boulons comme indiqué), attachez le support à la sous-face du joint à l'aide de la quincaillerie retirée auparavant (Fig. 13).
2. Si nécessaire, déplacez le toboggan vers le centre d'activité jusqu'à ce que le support du toboggan entre en contact avec l'unité. En vous servant des trous du support (indiqués par les flèches de la Fig. 13) comme guide, marquez et percez des avant-trous de 1/8 po (2,54 cm [1 po] de profondeur). **REMARQUE :** Il se peut que vous ayez à temporairement retirer le support du toboggan pour percer les avant-trous.
3. Réattachez le support (si nécessaire) et fixez-le solidement à l'unité à l'aide de deux tire-fond de 1-1/2 po.
4. Assemblez la base du support comme indiqué dans la (Fig. 14).
5. Attachez le support de fixation à la base à l'aide de deux tire-fond de (2 po) (Fig. 15). **REMARQUE :** Pré-percez des avant-trous de 1/8 po.
6. Placez le support en dessous de la base du toboggan et déterminez sa position finale. **REMARQUE :** Le support du toboggan doit être bien ajusté sous le toboggan pour assurer un support approprié. Retirez l'écrou et le boulon correspondants, attachez le support au toboggan comme indiqué dans la (Fig. 16). Réattachez la quincaillerie.
7. Égalisez le sol au bas du toboggan.

Fig. 14

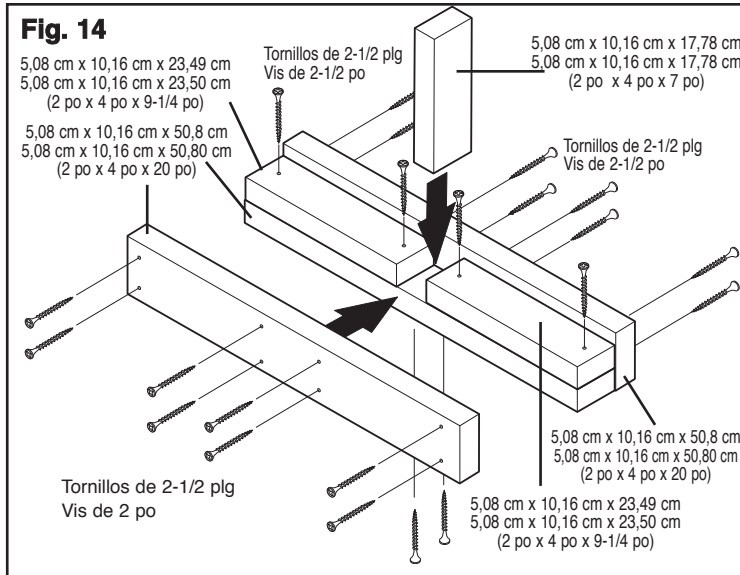


Fig. 15

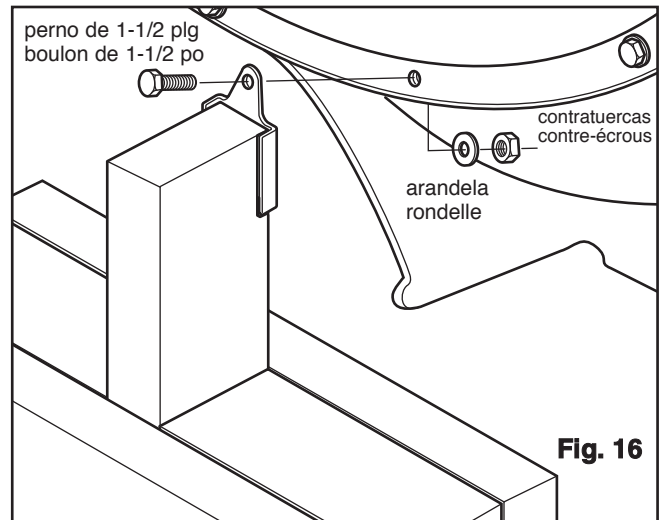
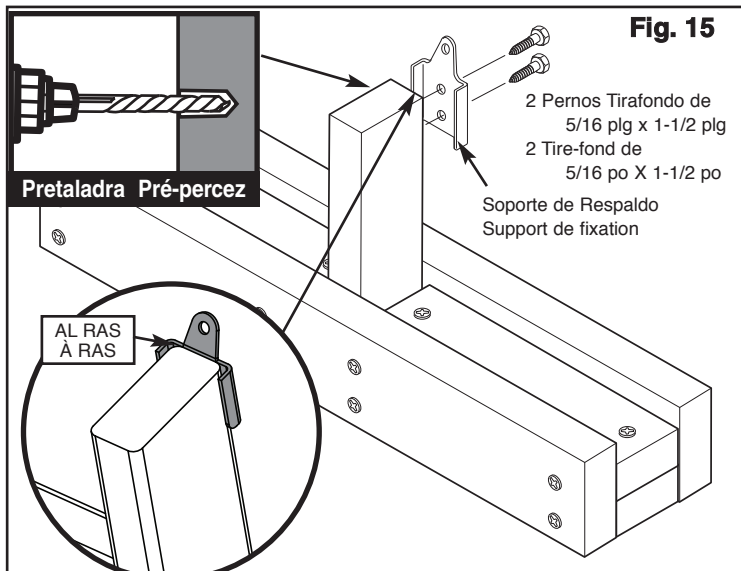
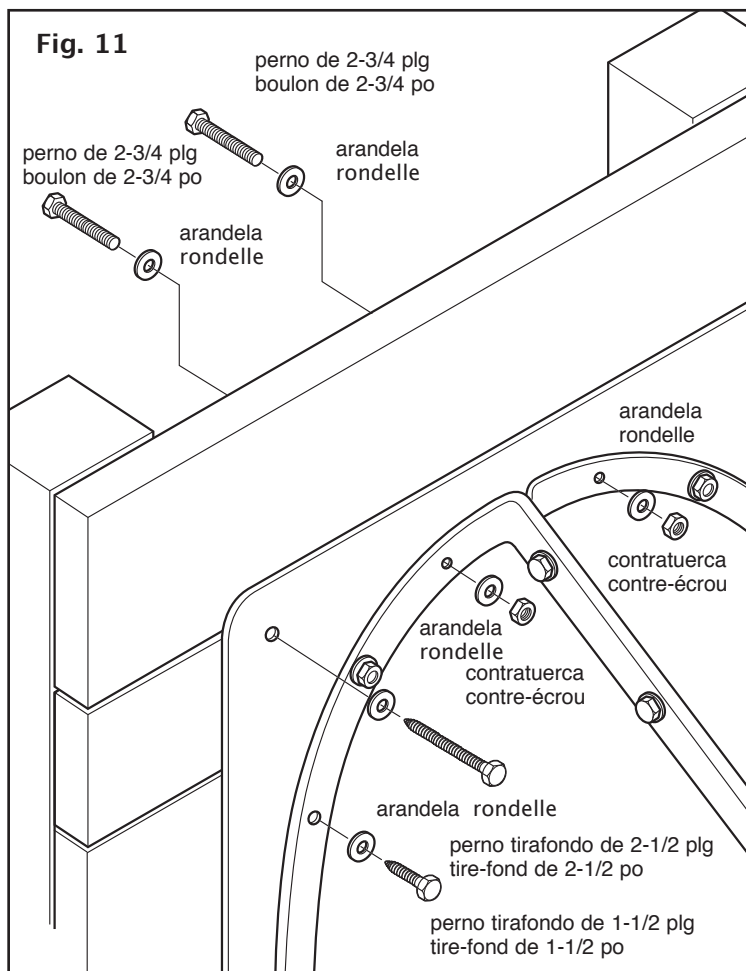


Fig. 16



MONTAJE DEL TOBOGÁN

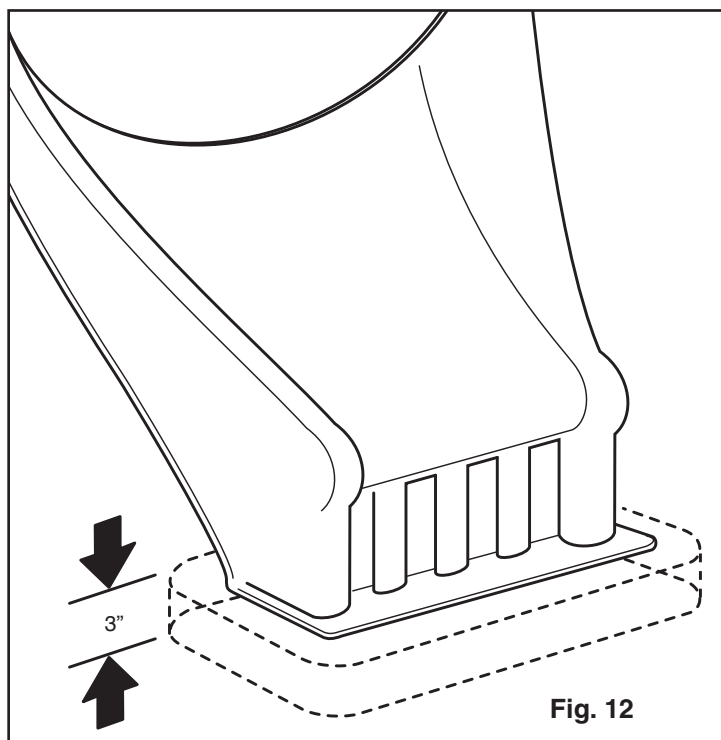
1. Necesitarás la ayuda de al menos una otra persona para montar el tobogán.
2. Inserta los pernos de 2-3/4 plg a través de una arandela, y de los orificios de 3/8 plg taladrados previamente en la baranda superior de la unidad (consulta la Fig. 11).
3. Levanta cuidadosamente el ensamblaje del tobogán hasta la abertura de la unidad. Coloca el panel de montaje/ensamblaje del tobogán en los pernos de 2-3/4 plg insertados previamente (consulta la Fig. 11). Coloca las arandelas y contratuercas en los pernos y apriétalos con la mano.
4. Ajusta el panel de montaje/ensamblaje del tobogán hasta que los orificios del panel de montaje se alineen con los orificios pilotos taladrados previamente.
5. Ajusta las esquinas superiores del panel de montaje/ensamblaje del tobogán, usando un perno tirafondo de 2-1/2 plg y una arandela. Asegura el resto del panel/ensamblaje del tobogán a la unidad, usando pernos tirafondos de 1-1/2 plg y arandelas en todos los orificios abiertos (se necesitan 8).
6. Aprieta completamente los pernos de 2-3/4 plg.
7. Asegura las esquinas inferiores del panel de montaje/ensamblaje del tobogán usando un perno tirafondo de 2-1/2 plg y una arandela.

BASE DEL TOBOGÁN

1. Elimina aproximadamente 7,62 cm de graduación directamente bajo la base del tobogán.

ASSEMBLAGE DU TOBOGGAN

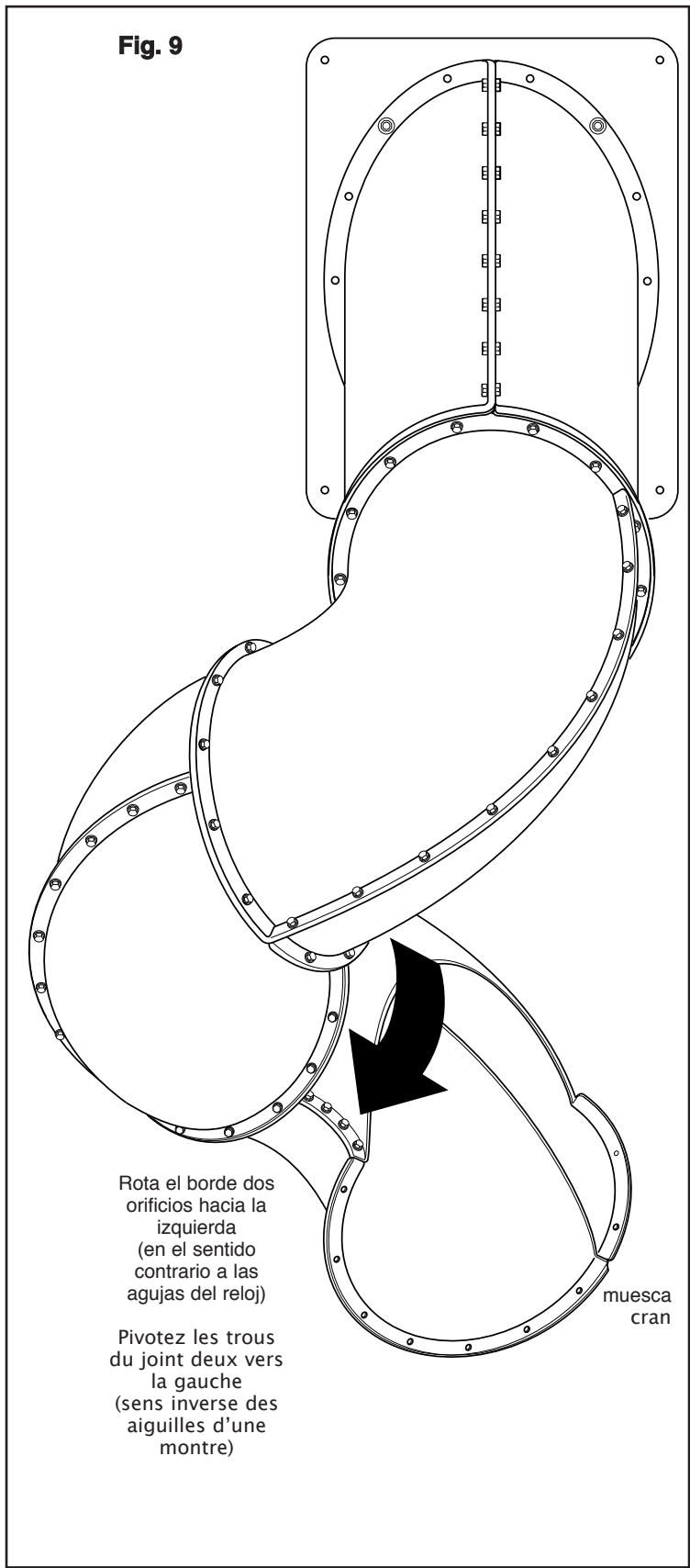
1. Il est nécessaire d'obtenir l'assistance d'au moins une autre personne pour assembler le toboggan.
2. Insérez les boulons de 2-3/4 po dans une rondelle, à travers les trous de 3/8 po percés auparavant dans le rail supérieur de l'unité (consultez la Fig. 11).
3. Soulevez soigneusement l'assemblage du toboggan jusqu'à l'ouverture de l'unité. Placez le panneau de montage/assemblage du toboggan sur les boulons de 2-3/4 po insérés auparavant (consultez la Fig. 11). Placez les rondelles et contre-écrous sur les boulons et serrez à la main.
4. Ajustez le panneau de montage/assemblage du toboggan jusqu'à ce que les trous du panneau de montage s'alignent sur les avant-trous percés auparavant.
5. Attachez d'abord les coins supérieurs du panneau de montage/assemblage du toboggan à l'aide d'un tire-fond de 2-1/2 po et d'une rondelle. Fixez solidement le reste du panneau de montage/assemblage du toboggan à l'unité à l'aide des tire-fond de 1-1/2 po et des rondelles à chaque emplacement de trou découvert (il en faut 8).
6. Serrez fermement les boulons de 2-3/4 po.
7. Attachez les coins inférieurs du panneau de montage/assemblage du toboggan à l'aide d'un tire-fond de 2-1/2 po et d'une rondelle.



BASE DU TOBOGGAN

1. Retirez environ 7,62 cm (3 po) de sol directement en dessous de la base du toboggan.

Fig. 9



Rota el borde dos orificios hacia la izquierda (en el sentido contrario a las agujas del reloj)

Pivotez les trous du joint deux vers la gauche (sens inverse des aiguilles d'une montre)

muesca cran

ENSAMBLAJE DEL TUBO (CONTINUACIÓN)

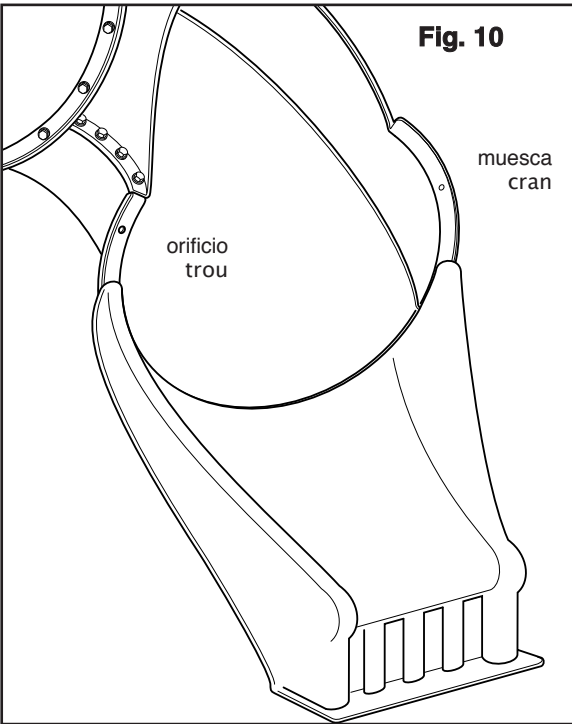
6. Inserta un perno de 3/4 plg a través de una arandela, a través de las secciones del tobogán y una segunda arandela, y asegúralo con una contratuerca. **NOTA:** Por el momento, aprieta las contratuercas con la mano solamente.
7. Coloca la base del tobogán en el ensamble del tobogán como se indica en la Fig. 10.
8. Inserta un perno de 3/4 plg a través de una arandela, a través de las secciones del tobogán y una segunda arandela, y asegúralo con una contratuerca.
9. Ahora aprieta completamente todos los pernos de las secciones del tobogán. **NOTA:** Aún no aprietes los pernos de la placa de montaje.

ASSEMBLAGE DU TUBE (SUITE)

6. Insérez un boulon de 3/4 po dans une rondelle, à travers les sections du toboggan, une seconde rondelle et fixez solidement avec un contre-écrou. **REMARQUE :** Serrez les contre-écrous à la main uniquement pour l'instant.
7. Positionnez la base du toboggan sur l'assemblage du toboggan comme indiqué sur la (Fig. 10).
8. Insérez un boulon de 3/4 po dans une rondelle, à travers les sections du toboggan, une seconde rondelle et fixez solidement avec un contre-écrou.
9. Serrez maintenant fermement tous les boulons des sections du toboggan.

REMARQUE : Ne serrez pas les boulons de la plaque de montage pour l'instant.

Fig. 10



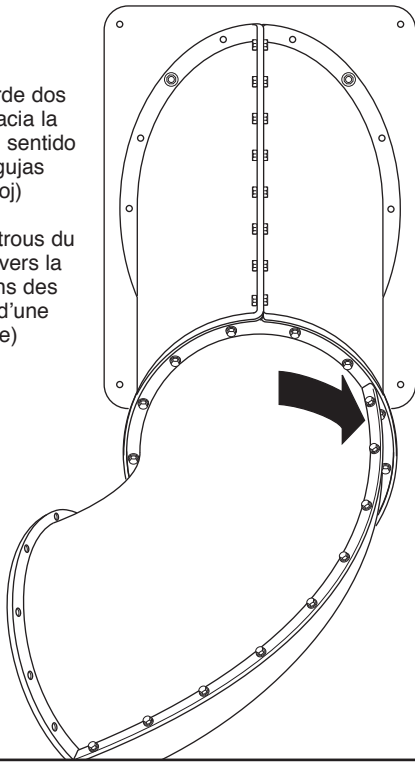
orificio trou

muesca cran

Fig. 7

Rota el borde dos orificios hacia la derecha (en sentido de las agujas del reloj)

Pivotez les trous du joint deux vers la droite (sens des aiguilles d'une montre)



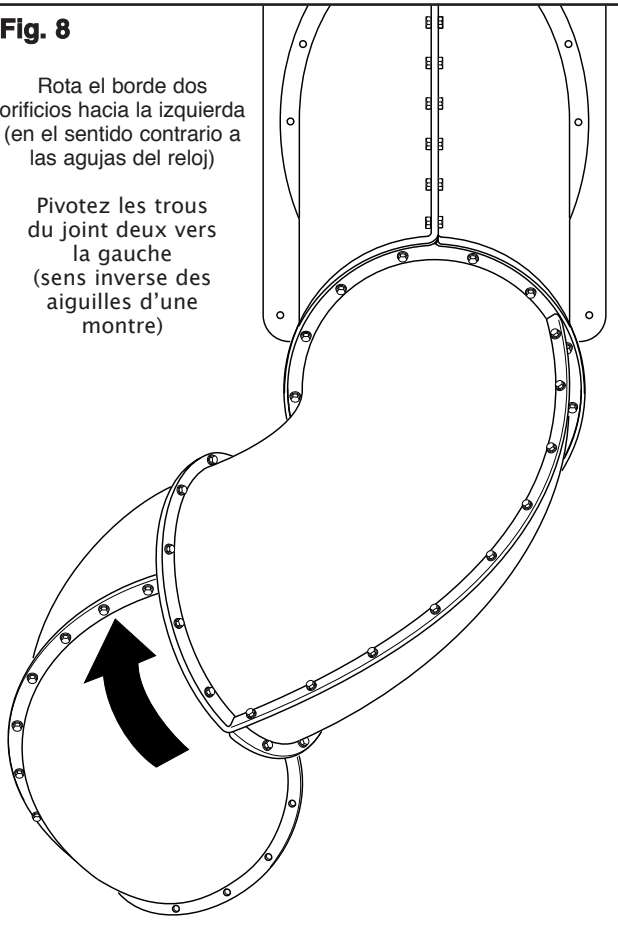
ENSAMBLAJE DEL TUBO

1. Coloca la sección de 90° en la sección de entrada de tal manera que los bordes queden alineados. Rota la sección dos orificios hacia la derecha (en el sentido de las agujas del reloj) y vuelve a alinearla con los orificios de la sección de entrada (consulta la Fig. 7).
2. Inserta un perno de 3/4 plg a través de una arandela, a través de los orificios de las secciones del tobogán y una segunda arandela, y asegúralo con una contratuerca. **NOTA: Inserta el primer perno y continua insertándolos el sentido de las agujas del reloj. No saltes orificios. Por el momento, aprieta las contratuercas con la mano solamente.**
3. Coloca la sección de 90° en la sección previamente colocada de manera que los bordes se alineen. Rota la sección dos orificios hacia la izquierda (en el sentido contrario a las agujas del reloj) y vuelve a alinearla con los orificios de la sección de entrada (Fig. 8).
4. Inserta un perno de 3/4 plg a través de una arandela, a través de las secciones del tobogán y una segunda arandela, y asegúralo con una contratuerca. **NOTA: Por el momento, aprieta las contratuercas con la mano solamente.**
5. Coloca la sección de salida en las secciones previamente colocadas de manera que los bordes se alineen. Rota la sección dos orificios hacia la izquierda (en el sentido contrario a las agujas del reloj) y vuelve a alinearla con los orificios de la sección de entrada (consulta la Fig. 9).

Fig. 8

Rota el borde dos orificios hacia la izquierda (en el sentido contrario a las agujas del reloj)

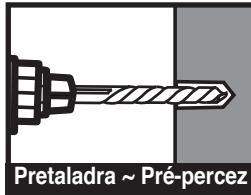
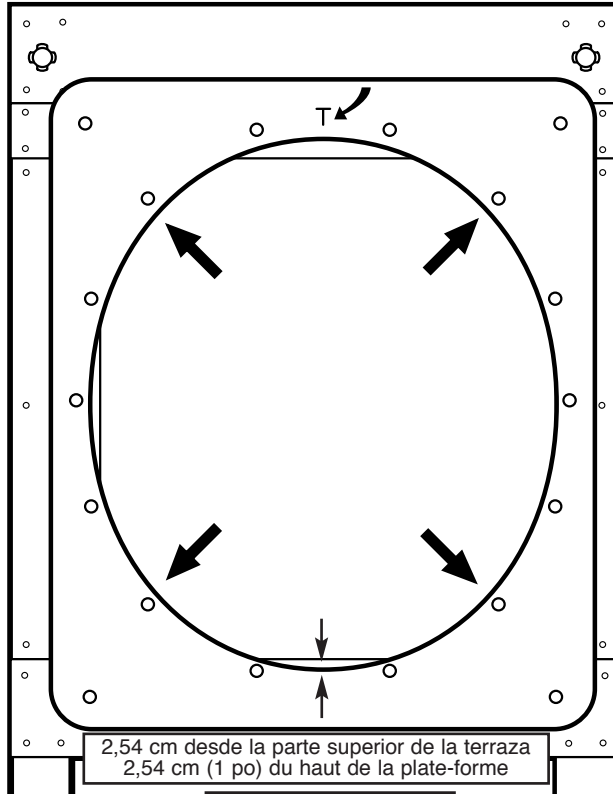
Pivotez les trous du joint deux vers la gauche (sens inverse des aiguilles d'une montre)



ASSEMBLAGE DU TUBE

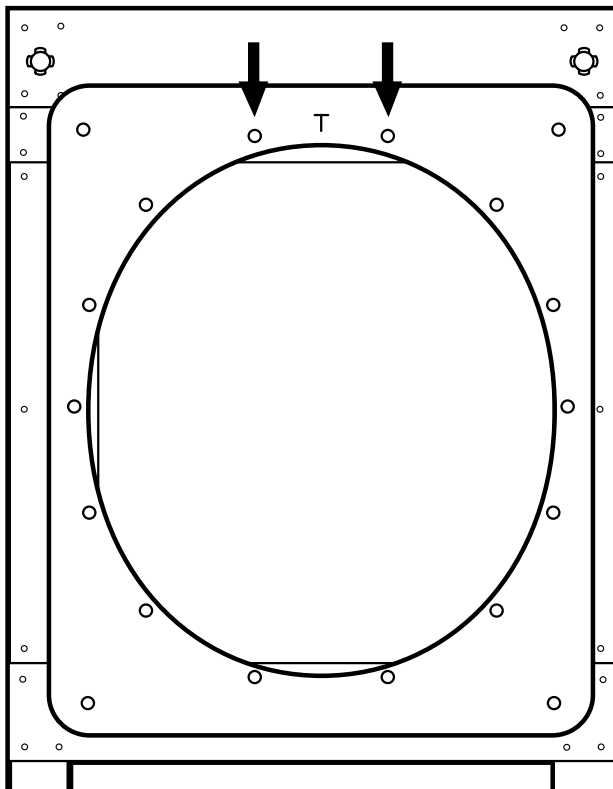
1. Positionnez la section à 90° sur la section d'entrée de sorte que les joints soient alignés. Pivotez les deux trous de la section vers la droite (sens des aiguilles d'une montre) et réalignez avec les trous de la section d'entrée (consultez la Fig. 7).
2. Insérez un boulon de 3/4 po dans une rondelle, à travers les trous des sections du toboggan, une seconde rondelle et fixez solidement avec un contre-écrou. **REMARQUE : Insérez le premier boulon et continuez de tourner dans le sens des aiguilles d'une montre. Ne sautez pas de trous. Serrez les contre-écrous à la main uniquement pour l'instant.**
3. Positionnez la section à 90° sur la section attachée auparavant de sorte que les joints soient alignés. Pivotez les deux trous de la section vers la gauche (sens inverse des aiguilles d'une montre) et réalignez avec les trous de la section d'entrée (Fig. 8).
4. Insérez un boulon de 3/4 po dans une rondelle, à travers les sections du toboggan, une seconde rondelle et fixez solidement avec un contre-écrou. **REMARQUE : Serrez les contre-écrous à la main uniquement pour l'instant.**
5. Positionnez la section de sortie aux sections attachées auparavant pour que les joints soient alignés. Pivotez les trous de la section deux vers la gauche (sens inverse des aiguilles d'une montre) et réalignez avec les trous de la section d'entrée (consultez la Fig. 9).

Fig. 4



Pretaladra ~ Pré-percez

Fig. 5



PANEL DE MONTAJE

1. Ubica el panel de montaje como se indica en la Fig. 4 (La "T" estampada debe ir en la parte superior). El panel debe ubicarse en la abertura para que todos los orificios expongan completamente una superficie de madera, **excepto aquellos identificados con flechas (que no deben tener cerca ninguna superficie de madera)**. La parte inferior de la abertura debe estar aproximadamente a 2,54 cm bajo la superficie de la terraza.
2. Sostén el panel en posición y marca las ubicaciones de todos los orificios. Quita el panel.
3. Taladra un orificio de 3/8 plg a través del soporte superior en los lugares que se indican en la Fig. 5 (se necesitan dos orificios).
4. Taladra orificios piloto en los lugares restantes con una broca de taladro de 1/8 plg. **NOTA:** Los orificios piloto en cada esquina deben tener aproximadamente 5,08 cm de profundidad. El resto de los orificios debe tener solo ----2,54 cm de profundidad.
5. Alinea el panel de montaje con la sección de entrada previamente ensamblada (ver Fig. 1, página 7). Asegura el panel de montaje a la sección de entrada en los orificios indicados en la Fig. 4, usando un perno de 1 plg, dos arandelas y una contratuerca en cada orificio, como se indica en la Fig. 6.
NOTA: Aprieta las contratuercas con la mano solamente.

PANNEAU DE MONTAGE

1. Positionnez le panneau de montage comme indiqué sur la (Fig. 4) (Le « T » imprimé doit se trouver en haut). Le panneau doit être placé à l'ouverture afin que tous les trous des boulons exposent entièrement une surface en bois, **sauf ceux identifiés avec les flèches (qui devraient être absents de toute surface en bois)**. Le bas de l'ouverture doit se trouver à environ 2,54 cm (1 po) en dessous de la surface de la plate-forme.
2. Tenez le panneau en position et marquez tous les emplacements des trous. Retirez le panneau.
3. Percez un trou de 3/8 po dans le support supérieur aux emplacements indiqués dans la (Fig. 5) (deux trous sont nécessaires).
4. Percez des avant-trous aux emplacements des trous qui restent à l'aide d'une mèche de 1/8 po. **REMARQUE :** Les avant-trous à chaque emplacement de trou en coin doivent être d'une profondeur d'environ 5,08 cm (2 po). Les avant-trous qui restent ne doivent être que d'une profondeur de 1 po.
5. Alignez le panneau de montage sur la section d'entrée assemblée auparavant (consultez la Fig. 1, page 7). Attachez le panneau de montage à la section d'entrée aux emplacements des trous indiqués sur la (Fig. 4) au moyen d'un boulon de 1 po, de deux rondelles et d'un contre-écrou par trou comme indiqué sur la (Fig. 6).
REMARQUE : Serrez les contre-écrous à la main uniquement.

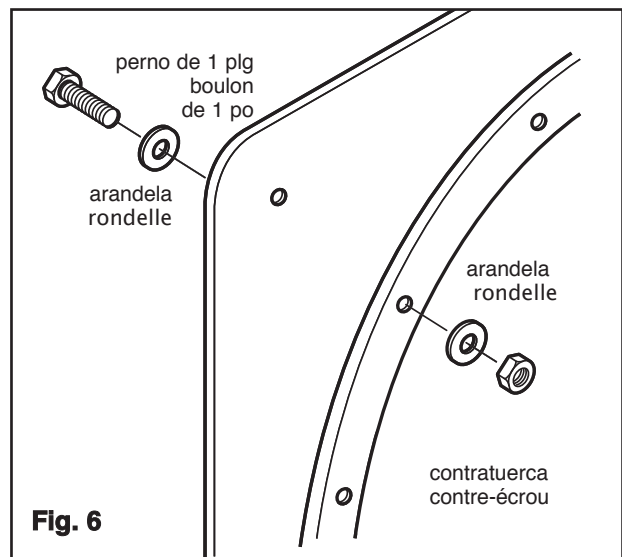
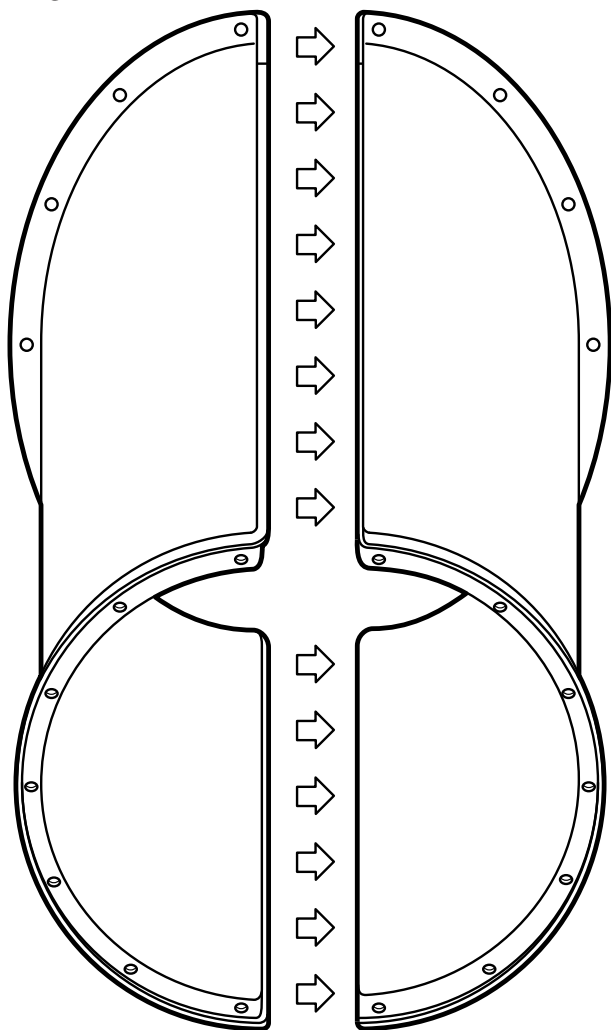


Fig. 6

Fig. 1



Sección de Entrada - 14 pernos
Section d'entrée - 14 boulons

SECCIÓN DE ENTRADA, SECCIÓN DE 90° (2) Y SECCIÓN DE SALIDA

NOTAS:

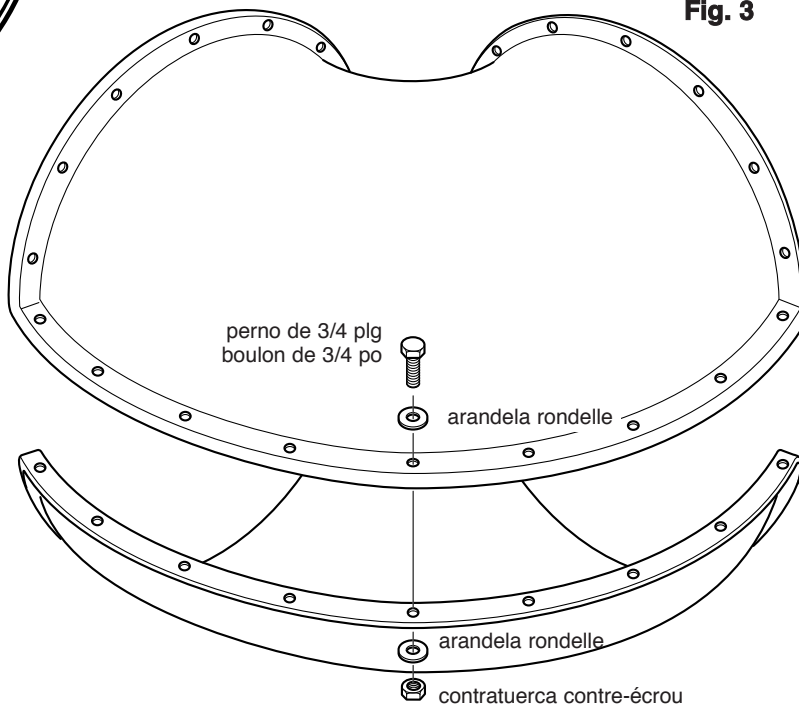
- Hacen falta al menos dos personas para ensamblar el Tobogán de Tubo Turbo.
 - Para ayudar a alinear los orificios al ensamblar las secciones, inserta un destornillador a través de orificios adyacentes.
1. Identifica cada sección del tobogán como 1, 2, 3, 4, 5 ó 6, tal como se indica en el borde de cada pieza.
 2. Ensambla la sección de entrada usando las piezas 1 y 2, dos secciones de 90° usando las piezas 3 y 4 y la sección de salida usando las piezas 3 y 5. Une las secciones con un perno de cabeza hexagonal de 3/4 plg, dos arandelas planas y una contratuerca en cada orificio de unión (Fig. 1, 2 y 3). **NOTA:** Asegura cada contratuerca con los dedos hasta que se haya ensamblado el tobogán completo. Cada vez que ensambles las piezas, asegúrate de que cada reborde con brida coincida con un reborde plano.

SECTION D'ENTRÉE, SECTION À 90° (2) ET SECTION DE SORTIE

REMARQUES :

- Au moins deux individus sont nécessaires pour assembler le toboggan Turbo Tube.
 - Pour aider à aligner les trous lorsque vous assemblez les sections, insérez un tournevis dans les trous voisins pour préserver l'alignement des trous.
1. Identifiez chaque section du toboggan comme soit (1), (2), (3), (4), (5), ou (6) comme indiqué sur le rebord de chaque pièce.
 2. Assemblez la section d'entrée au moyen des pièces (1) et (2), deux sections à 90° au moyen des pièces (3) et (4), et la section de sortie au moyen des pièces (3) et (5). Reliez les sections à l'aide d'un boulon à tête hexagonale de 3/4 po, de deux rondelles plates et d'un contre-écrou à chaque joint de trou (Fig. 1, 2 et 3). **REMARQUE :** Serrez chaque contre-écrou fermement à la main jusqu'à ce que le toboggan entier soit assemblé. Chaque fois que vous reliez des pièces, assurez-vous que chaque rebord bridé correspond à un rebord plat.

Fig. 3



rebord con brida
rebord bridé

rebord plano t
rebord plat t

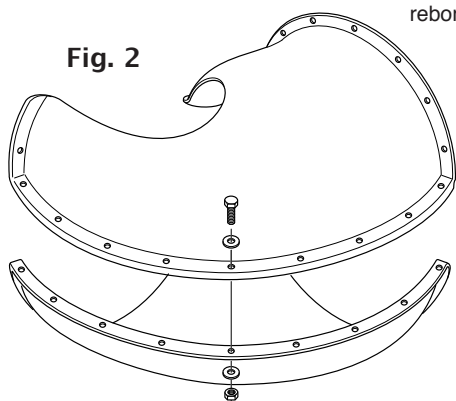
perno de 3/4 plg
boulon de 3/4 po

arandela rondelle

arandela rondelle

contratuerca contre-écrou

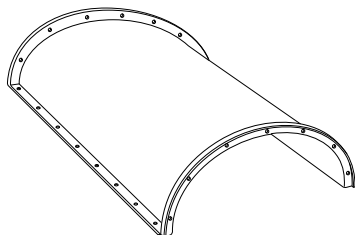
Fig. 2



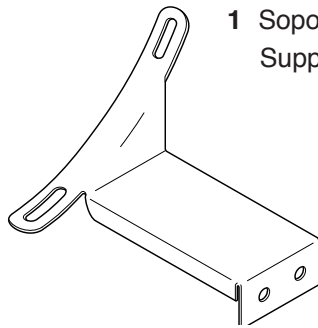
Sección de Salida - 13 pernos
Section de sortie - 13 boulons

Sección de 90° (se necesitan 2) - 13 pernos cada una
Section à 90° (il en faut 2) - 13 boulons chacune

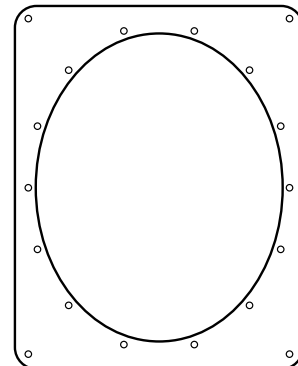
COMPONENTES DEL TOBOGÁN COMPOSANTS DU TOBOGGAN



1 Sección de Entrada marcada con el núm. 1
Section d'entrée marquée n° 1

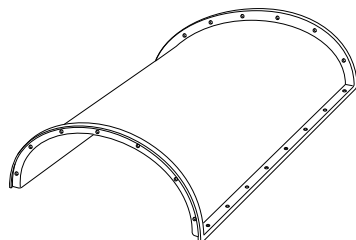
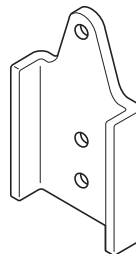


1 Soporte de Tobogán
Support du toboggan

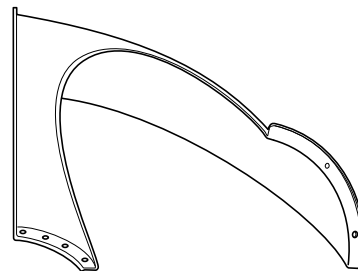


1 Panel de Entrada
Panneau d'entrée

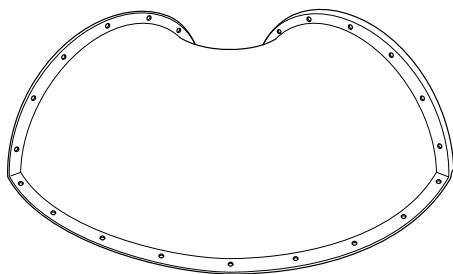
1 Soporte de Respaldo
Support de fixation



1 Sección de Entrada marcada con el núm. 2
Section d'entrée marquée n° 2

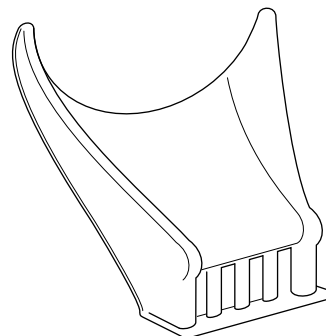


1 Sección de Salida marcada con el núm. 5
Section de sortie marquée n° 5



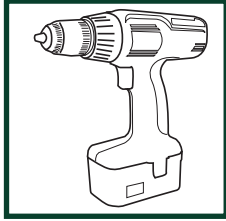
2 Secciones de 90° con brida, marcadas con el núm. 4
Sections à 90° avec bride, marquées n° 4

3 Secciones de 90° sin brida, marcadas con el núm. 3
Sections 90 sans bride, marquées n° 3

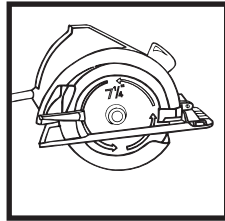


1 Base del Tobogán, marcada con el núm. 6
Base du toboggan marquée n° 6

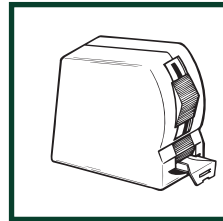
HERRAMIENTAS NECESARIAS OUTILS REQUIS



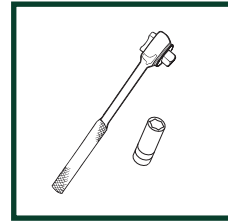
TALADRO
PERCEUSE



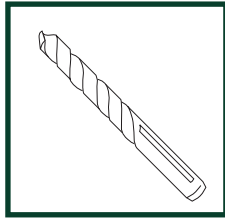
SIERRA CIRCULAR
SCIE CIRCULAIRE



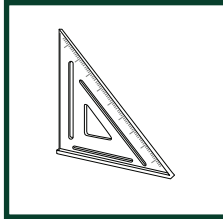
CINTA MÉTRICA
RUBAN À MESURER



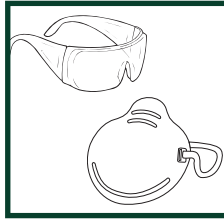
LLAVE Y DADOS DE 1/2 PLG
DOUILLE ET CLÉ DE 1/2 PO



BROCA DE TALADRO DE 1/8 PLG
MÈCHE DE PERCEUSE DE 1/8 PO



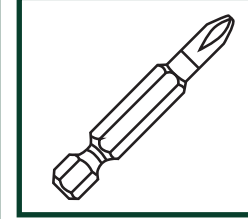
ESCUADRA
ÉQUERRE



GAFAS DE SEGURIDAD
Y MASCARA CONTRA EL POLVO
LUNETTES DE SÉCURITÉ
ET MASQUE ANTIPOUSSIÈRE

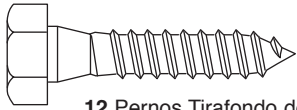


LLAVE
CLÉ

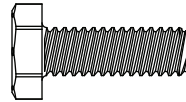


BROCA DE
DESTORNILLADOR
PHILLIPS
MÈCHE CRUCIFORME

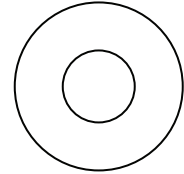
HERRAJES INCLUIDOS QUINCAILLERIE FOURNIE



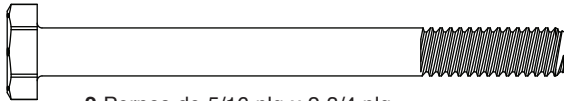
12 Pernos Tirafondo de 5/16 plg x 1-1/2 plg
12 Tire-fond de 5/16 po X 1-1/2 po



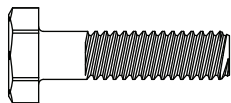
95 Pernos de Cabeza Hexagonal de 5/16 plg x 3/4 plg
95 Boulons à tête hexagonale de 5/16 po x 3/4 po



214 Arandelas Planas de 5/16 plg
214 Rondelles plates de 5/16 po



2 Pernos de 5/16 plg x 2-3/4 plg
2 Boulons de 5/16 po x 2-3/4 po



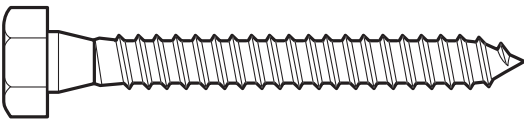
4 Pernos de 5/16 plg x 1 plg
4 Boulons de 5/16 po x 1 po



22 Tornillos de Madera de 2-1/2 plg
22 Vis à bois de 2-1/2 po

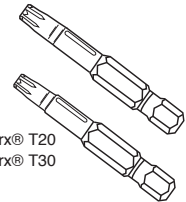


101 contratuercas de 5/16 plg
101 Contre-écrous de 5/16 po



4 Pernos Tirafondos de 5/16 plg x 2-1/2 plg
4 Tire-fond de 5/16 po x 2-1/2 po

1 Broca Torx® T20 Broca Torx® T20
1 Broca Torx® T30 Broca Torx® T30
(1) Mèche T20 Torx®
(1) Mèche T30 Torx®



LA MADERA ADICIONAL SE VENDE POR SEPARADO BOIS D'OEUVRE SUPPLÉMENTAIRE ACHETÉ SÉPARÉMENT

LISTA DE CORTE DE MADERA: ¡Corta la Madera Primero!
COUPE DU BOIS D'OEUVRE - Coupez le bois d'œuvre en premier!

LUMBER REQUIRED: (1) 2" x 4" x 96"
BOIS D'OEUVRE REQUIS : (1) 2 po x 4 po x 96 po

20"	20"	20"	9-1/4"	9-1/4"	7"	
-----	-----	-----	--------	--------	----	--

(1) 2" x 4" x 96"
(1) 2 po x 4 po x 96 po

Este producto ha sido ideado para su uso en una residencia u hogar de una sola familia y no para usarse en lugares públicos. Su uso en lugares públicos constituye una mala utilización de este producto.

¡IMPORTANTE!

INSTRUCCIONES ADICIONALES DE SEGURIDAD PARA LA INSTALACIÓN

Según establece la Sociedad Americana de Pruebas y Materiales (American Society for Testing and Materials, ASTM), todos los equipos deben anclarse al suelo y, si la unidad tiene además una cuerda para escalar, el extremo de la cuerda deberá anclarse al suelo. Si las condiciones del terreno permiten que las estacas se salgan con facilidad, será entonces necesario cementarlas al suelo.

- **Para anclar la unidad al suelo**, siga las instrucciones contenidas en el presente plan para aplicar los dispositivos de anclaje a su unidad, o utilice estacas tratadas a presión de 2" x 4" x 18" (45mm x 95mm x 457mm). Martille las estacas en el suelo a una profundidad de al menos 12" (305 mm) en todas las esquinas internas de los postes (incluidas las patas del marco en A y los postes de la unidad para escalar). Fije con cuatro (4) clavos galvanizados de 16D (3-1/2") por estaca en cada poste de la torre y/o del marco en "A".
- **Si la unidad incluye una soga para escalar**, ancla la soga en ambos extremos.
- **Una vez que la unidad esté completamente armada y antes de que se le permita a los niños jugar en ella, se debe instalar una superficie de material adecuado para amortiguar golpes.** Esto se consigue usando materiales de relleno suelto a una profundidad adecuada. La "Guía para la seguridad en las zonas de recreo públicas" (Handbook for Public Playground Safety) publicada por la Comisión de Seguridad para los Productos de Consumo (Consumer Product Safety Commission, CPSC) cita los siguientes materiales y las profundidades requeridas que se consideran suficientes para uso en residencias y hogares. Información adicional puede encontrarse en ASTM F1292. Para protegerse de caídas de hasta 9 pies (2.742m) de altura [recomendado para los equipos Swing•N•Slide]:

MATERIALES DE RELLENO SUELTO	PROFUNDIDAD (SIN COMPRIMIR) REQUERIDA¹ pulgada (mm)
Mantillo de madera	9" (229 mm)
Mantillo de corteza de doble trituración	9" (229 mm)
Viruta de madera uniforme	12" (305 mm)

Estas profundidades se han extraído de la Guía de la CPSC. Swing•N•Slide no ha realizado estudios independientes para determinar estas profundidades recomendadas.

Cuando el material para amortiguar golpes se instala adecuadamente, éste cubre completamente todas las superficies horizontales de las unidades para escalar. Esta superficie protectora deberá extenderse al menos 6 pies (1.828mm) en todas las direcciones, desde el perímetro del equipo o desde los bordes externos de cualquiera de los componentes. Por ejemplo, un tobogán que se extiende por fuera de la plataforma deberá tener una superficie protectora de al menos 6 pies (1.828mm) a ambos lados y en el extremo. Para columpios, la superficie protectora se debe extender **por lo menos 14 pies (6 m)** a partir de **tanto** la parte trasera **como** delantera del columpio cuando éste se encuentre en posición de reposo.

Para obtener información adicional sobre seguridad en las zonas de recreo, la Comisión de Seguridad para los Productos de Consumo (Consumer Product Safety Commission, CPSC) publica el Manual para la seguridad en las zonas de recreo domésticas al aire libre (Outdoor Home Playground Safety Handbook) que se puede descargar en forma gratuita de www.cpsc.gov. Un recurso adicional es la Especificación Estándar de Rendimiento de la Seguridad del Consumidor de la Sociedad de EE. UU. de Pruebas y Materiales (ASTM) Para Equipos de Patios de Recreo en el Hogar (ASTM F1148) que se puede adquirir y descargar en www.astm.org.

GARANTÍA LIMITADA DEL FABRICANTE DE Swing-N-Slide®

Swing-N-Slide® se enorgullece de la calidad y la durabilidad de nuestros productos. Nuestra garantía limitada del fabricante ofrece confianza y demuestra nuestro compromiso con la entrega de productos de calidad para zonas de recreo residenciales.

GARANTÍA LIMITADA DE POR VIDA DEL FABRICANTE

Swing-N-Slide® garantiza que sus toboganes termoformados y montañas para escalar estarán libres de defectos de mano de obra y materiales, bajo condiciones y uso normales, durante la vida útil del producto.

GARANTÍA LIMITADA DE 5 AÑOS DEL FABRICANTE

Swing-N-Slide® garantiza que sus kits de conjunto de juegos personalizados listos para armar y sus accesorios permanecerán libres de defectos de mano de obra y materiales, bajo condiciones y uso normales, durante un período de 5 años.

GARANTÍA LIMITADA DE 5 AÑOS DEL FABRICANTE

Swing-N-Slide® garantiza que sus kits de conjunto de juegos No-Cut and Wood Complete Ready-to-Assemble Play Set no experimentarán deterioro debido a putrefacción de la madera o termitas, y que permanecerán libres de defectos de mano de obra y materiales, bajo condiciones y uso normales, durante un período de 5 años en el caso de los componentes estructurales de madera.

Los defectos estéticos que no afecten la integridad estructural del producto o los defectos naturales de la madera como la torsión, la rajadura, la fisuración, el pandeo, contracción, hinchamiento o cualquier otra propiedad física de la madera que no presente un riesgo de seguridad, no están cubiertos por esta garantía.

GARANTÍA DE UN AÑO DEL FABRICANTE

Swing-N-Slide® garantiza que sus techos y/o lonas impermeabilizadas de cubierta y envoltura para madera Timber-GLOVE permanecerán libres de defectos de mano de obra y materiales, bajo condiciones y uso normales, durante un período de un año.

Swing-N-Slide® reparará, o según su criterio, reemplazará, dentro del período de garantía señalado, cualquier pieza que presente defectos de mano de obra o materiales. Esta decisión está sujeta a verificación del defecto luego del envío de la pieza defectuosa a Swing-N-Slide® a 1212 Barberry Drive, Janesville, Wisconsin, 53545. Toda pieza devuelta a Swing-N-Slide® primero debe tener un Número de autorización de devolución aprobado y una prueba de compra, incluida la fecha de compra. Esta garantía es válida sólo si el producto se utiliza para el objetivo que se diseñó y se instala en una vivienda unifamiliar residencial. Esta garantía queda nula si al producto se le da un uso comercial o institucional. Esta garantía no cubre (a) productos que hayan sido dañados por hechos de la naturaleza, negligencia, uso indebido o accidente, o que hayan sido modificados o reparados por personas no autorizadas; (b) el costo de la mano de obra o el costo de envío del producto, alguna pieza o un producto o pieza de reemplazo.

Swing-N-Slide® **DESCONOCE** TODAS LAS DEMÁS DECLARACIONES Y GARANTÍAS DE CUALQUIER TIPO, EXPRESAS, IMPLÍCITAS, ESTATUTARIAS U OTRAS, INCLUIDAS LAS GARANTÍAS IMPLÍCITAS DE COMERCIABILIDAD Y APTITUD PARA UN FIN ESPECÍFICO. Swing-N-Slide® **NO SERÁ RESPONSABLE DE NINGÚN DAÑO FORTUITO O CONSECUENTE**. Esta garantía no es transferible y no se extiende a los propietarios del producto posteriores al comprador original. Algunos estados no permiten limitaciones en las garantías implícitas ni la exclusión de daños fortuitos o consecuentes, por tanto es posible que estas restricciones no se apliquen en su caso. Esta garantía le otorga derechos legales específicos. Es posible que tenga otros derechos, que pueden variar de un estado a otro.

Esta garantía tampoco se aplica a:

- Estructuras no levantadas, mantenidas ni inspeccionadas en conformidad con los planos de instalación de **Swing-N-Slide®**
- Estructuras en las que se ha agregado o sustituido piezas que no están en conformidad con los planos de instalación de **Swing-N-Slide®**
- Piezas que se han modificado, alterado o usado indebidamente
- Piezas que no se han usado según su diseño u objetivo
- Daño debido a hechos de la naturaleza, vandalismo, uso anormal o abuso según lo determine **Swing-N-Slide®**

Atender los siguientes enunciados y advertencias reduce la posibilidad de lesiones graves o fatales.

Seguridad durante la instalación – Usted:

- ¿Ha consultado las instrucciones de ensamblaje suministradas con su modelo en particular?
- ¿Ha notado que este accesorio se debe usar solamente con diseños aprobados por Swing•N•Slide? (No altere su diseño ni añada/retire componentes).
- ¿Se ha asegurado de que todos los accesorios hayan sido ajustados firmemente? (Las cubiertas de los pernos suministradas también se deben asegurar firmemente).
- ¿Se ha asegurado de cortar con una sierra de mano todos los extremos roscados sobresalientes de los pernos y demás sujetadores, así como de haber eliminado cualquier borde filoso usando una lima para metales, según haya sido necesario, y recubierto los extremos de los sujetadores con pintura sin plomo?
- ¿Ha colocado el equipo a nivel del piso, a no menos de seis pies (1.8 metros) de cualquier estructura u obstrucción tal como una cerca, garaje, casa, ramas colgantes, sogas para tender la ropa o cables eléctricos?
- ¿Se ha asegurado de que el equipo de juego no haya sido instalado sobre concreto, asfalto, tierra prensada o cualquier otra superficie dura? (Una caída sobre una superficie dura puede provocar una lesión grave al usuario del equipo).
- ¿Ha verificado que las cuerdas para escalar, la cadena o el cable suspendidos estén sujetos en ambos extremos?
- ¿Ha consultado las zonas mínimas de uso en las instrucciones de ensamblaje de su modelo en particular?
- ¿Ha usado un sellador de agua en su conjunto de juego para proteger la madera y prevenir que se agriete y se tuerza?
- ¿Ha seguido todos los requisitos que se encuentran en el reverso de esta página relacionados con el anclaje y el recubrimiento amortiguador de golpes, según corresponda?
- ¿Se ha asegurado de no permitir que los niños usen los equipos hasta que éstos queden correctamente instalados?
- ¿Se ha asegurado de ajustar todos los columpios de manera que haya un espacio mínimo de 8" entre el columpio y la superficie del suelo?

Seguridad durante la operación – Usted:

- ¿Se ha asegurado de que en el sitio de juegos haya supervisión por parte de un adulto para los niños de todas las edades?
- Antes de permitirles usar los equipos, ¿les ha enseñado a los niños lo siguiente? No caminar cerca, enfrente, por detrás o entre objetos móviles.
 - No retorcer el columpio ni cualquiera de las cadenas o cuerdas accesorias ni enrollarlas sobre la barra de soporte superior, ya que esto reduciría la fuerza de la cadena o la cuerda.
 - No columpiar los asientos vacíos u otros accesorios.
 - No deslizarse hacia abajo por las cadenas de los columpios.
 - Asegurarse de sentarse en el centro del columpio y en los otros accesorios, con todo el peso sobre el asiento.
 - No unir accesorios al equipo de juego que no estén diseñados específicamente para el mismo, como los siguientes, entre otros: cuerdas para saltar, sogas para tender la ropa, correas para mascotas, cables y cadenas. Éstos pueden provocar peligro de estrangulamiento.
 - No trepar ni caminar sobre la parte superior de las vigas de los columpios, los pasamanos o el techo.
 - No usar los equipos de manera diferente a aquella para la cual fueron diseñados.
 - No saltar de los equipos cuando están en movimiento.
 - No subirse a los equipos cuando estén mojados.
 - Asegurarse de bajar por los toboganes con los pies por delante.
- ¿Ha determinado que sólo se puede permitir un niño por asiento en un mismo momento?
- ¿Has determinado que los niños deben estar vestidos en forma adecuada para el juego? Evita chaquetas con capucha, cascos para bicicletas u otros deportes, ropa con cordones y suelta que podría hacer que se enreden o se enganchen en el equipo.
- ¿Has determinado que las sogas, cadenas o cables para escalar están anclados firmemente en ambos extremos y no pueden entrelazarse?
- ¿Se ha asegurado de que el tobogán se ubique de manera que no esté bajo la luz directa del sol?

Mantenimiento de Seguridad–Sigue estas instrucciones preventivas de mantenimiento en los intervalos requeridos:

- Para evitar el deterioro de los materiales, retira los asientos de plástico de los columpios y otros accesorios de plástico cuando la temperatura exterior baje a 32° F o menos y llévalos a un lugar bajo techado. Reinstala estos elementos plásticos al inicio de cada temporada de juego.
- Al inicio de cada temporada de juego verifica que las piezas de metal no se hayan oxidado. Si se encuentran indicios de corrosión, lija y vuelve a pintar usando una pintura que no sea a base de plomo y que cumpla con los requisitos 16 CFR 1303 o SOR/2005-109.
- Al inicio de cada temporada de juego y una vez al mes durante la misma, verifica que las piezas móviles no se hayan desgastado, oxidado o deteriorado de otra manera. Reemplázala si es necesario. Si existe alguna de estas condiciones, llama al 1-800-888-1232 para ordenar los accesorios de repuesto.
- Al inicio de cada temporada de juego y una vez al mes durante la misma, lubrica las piezas de metal en movimiento.
- Al inicio de cada temporada de juego y dos veces al mes durante la misma, revisa todas las cubiertas protectores de pernos, tubos, bordes y esquinas. Reemplázalas si están sueltas, rotas o si faltan.
- Al inicio de cada temporada de juego y dos veces al mes durante la misma, rastrilla y verifica la profundidad del material protector de relleno de superficies para que no esté flojo, evitar la compactación y mantener la profundidad adecuada. Reemplaza según sea necesario.
- Al inicio de cada temporada de juego y dos veces al mes durante la misma, ajusta todos los herrajes.
- Al inicio de cada temporada de juego y una vez al mes durante la misma, verifica que las piezas de madera no estén deterioradas y astilladas. Lija las astilladuras y reemplaza las partes de madera deterioradas.

Instrucciones de desecho

Cuando el equipo sea retirado de servicio, se debe desarmar y desechar de tal manera que no presente peligros no razonables al momento de desecharlo.

**¡Importante! Instrucciones de seguridad adicionales para todos los equipos de juego Swing-N-Slide.
Guardar esta hoja de instrucciones en caso de que se requiera contactar al fabricante.**

Ce produit est destiné à un usage résidentiel et familial seulement et n'est pas conçu pour une utilisation dans un endroit public. L'installation de ce centre de jeu dans un endroit public constitue une mauvaise utilisation de ce produit.

IMPORTANT!

INSTRUCTIONS SUPPLÉMENTAIRES POUR UNE INSTALLATION SÉCURITAIRE

Les normes établies par l'organisme américain ASTM spécifient que toutes les unités de jeu doivent être ancrées solidement au sol et que si l'unité comprend une corde d'escalade, l'extrémité de celle-ci doit également être ancrée au sol. Si les conditions de sol permettent aux piquets d'ancrage d'être arrachés facilement, ceux-ci devront être encastrés dans du béton.

- **Pour ancrer l'unité au sol**, respecter les instructions incluses dans le présent plan concernant l'utilisation des ancrages « Anchor-It » à votre unité, ou utiliser des piquets en bois traité sous pression de 2 x 4 x 18 po (45 x 95 x 457 mm). Enfoncer les piquets dans le sol à au moins 12 po (305 mm) à chacun des coins intérieurs des poteaux (incluant les pattes des cadres en « A » et les poteaux des ensembles d'escalade). Fixer au moyen de quatre (4) clous galvanisés 16D de 3,5 po (89 mm) par piquet dans chaque montant de tour et(ou) cadre en A.
- **Si l'unité comporte une corde d'escalade**, ancrez solidement cette corde aux deux bouts.
- **Une fois le centre de jeu complètement assemblé et avant de permettre aux enfants d'y jouer, un matériau de surfacage pouvant absorber les chocs doit être installé. Cela peut être réalisé par l'utilisation d'un matériau de remplissage en vrac d'une épaisseur suffisante.** Le manuel « Handbook for Public Playground Safety » de la commission de la sécurité des produits de consommation (Consumer Product Safety Commission, CPSC) fait l'énumération des matériaux suivants et définit les épaisseurs minimales pour des applications résidentielles. On peut trouver des informations complémentaires dans le document ASTM F1292. Pour une protection antichute allant jusqu'à 9 pi (2,74 m) [recommandée pour les ensembles Swing•N•Slide] :

MATÉRIAUX DE REMPLISSAGE EN VRAC

Paillis de bois
Paillis d'écorce à déchetage double
Copeaux de bois uniformes

PROFONDEUR REQUISE (NON COMPACTÉE) 1 PO (25 MM)

9" (229mm)
9" (229mm)
12" (305mm)

Ces épaisseurs proviennent du manuel de la CSPC. Pour déterminer ces profondeurs, Swing•N•Slide n'a réalisé aucun test indépendant.

Lorsqu'il est adéquatement installé, le matériau de surfacage pour absorption de choc devrait recouvrir complètement les bases de bois horizontales des ensembles d'escalade. Ces surfaces protectrices doivent s'étendre jusqu'à un minimum de 6 pi (1,828 m) dans toutes les directions à partir du périmètre de l'équipement ou de la limite extérieure de tout composant. Par exemple, une glissoire s'étendant au-delà de la plate-forme doit comporter une surface protectrice sur au moins 6 pi (1,828 m) sur les deux côtés, de même qu'à son extrémité. Pour les balançoires, la surface de protection doit s'étendre d'au moins 14 pi (6 m) à partir de l'avant et de l'arrière de la balançoire lorsqu'elle est en position de repos.

Pour de plus amples renseignements sur la sécurité des terrains de jeu, télécharger gratuitement le manuel « Handbook for Public Playground Safety » de la commission de la sécurité des produits de consommation (CPSC) qui se trouve à l'adresse www.cpsc.gov. Une ressource supplémentaire est offerte par la spécification sur le rendement en matière de la sécurité des consommateurs des terrains de jeux résidentiels (ASTM F1148) de l'American Society of Testing and Materials (ASTM - société américaine pour les essais et les matériaux), que l'on peut acheter ou télécharger de www.astm.org.

GARANTIE LIMITÉE DU FABRICANT Swing-N-Slide®

Swing-N-Slide® est fière de la qualité et de la durabilité de ses produits. Notre garantie limitée du fabricant donne l'assurance et démontre notre engagement envers la fabrication d'articles pour terrain de jeu résidentiel de qualité.

GARANTIE LIMITÉE À VIE DU FABRICANT

Swing-N-Slide® garantit ses glissoires thermoformées et murs d'escalade contre toute défectuosité de matériaux et de fabrication, lorsqu'utilisés dans des conditions et pour un usage normaux, pour la durée de vie du produit.

GARANTIE LIMITÉE DE CINQ (5) ANS DU FABRICANT

Swing-N-Slide® garantit ses ensembles et accessoires de jeu personnalisés prêt-à-monter contre toute défectuosité de matériaux et de fabrication, lorsqu'utilisés dans des conditions et pour un usage normaux, pour une période de cinq (5) ans.

GARANTIE LIMITÉE DE CINQ (5) ANS DU FABRICANT

Swing-N-Slide® garantit les composants structurels en bois de ses ensembles et accessoires de jeu sans coupe et tout bois contre les dommages causés par la pourriture et les termites, et contre toute défectuosité de matériaux et de fabrication, lorsqu'utilisés dans des conditions et pour un usage normaux, pour une période de cinq (5) ans.

Les défauts de fabrication apparents qui n'influencent pas l'intégrité structurale du produit, ou les défauts naturels du bois tels que la déformation, les fissures, les gerçures, la torsion, le retrait, l'enflure ou d'autres propriétés physiques du bois qui ne constituent pas un danger pour la sécurité, ne sont pas couverts par cette garantie.

GARANTIE D'UN (1) AN DU FABRICANT

Swing-N-Slide® garantit ses bâches de toit et/ou ses bâches, et la toile protectrice pour bois Timber GLOVE contre toute défectuosité de matériaux et de fabrication, lorsqu'utilisés dans des conditions et pour un usage normaux, pour une période d'un (1) an.

Swing-N-Slide® réparera, ou à sa discrétion, remplacera toute pièce présentant un défaut de matériaux et de fabrication au cours de la période de garantie mentionnée. Cette décision est sous réserve d'une vérification de la défectuosité à la livraison de la pièce défectueuse à **Swing-N-Slide®** à 1212 Barbary Drive, Janesville, Wisconsin, 53545 É.-U. Toute pièce retournée à Swing-N-Slide® doit être accompagnée d'un numéro d'autorisation de retour approuvé au préalable et d'une preuve d'achat datée. Cette garantie est valide uniquement si le produit est utilisé aux fins pour lesquelles il est conçu et s'il est installé sur un terrain unifamilial et résidentiel. Elle est nulle si le produit est à usage commercial ou collectif. Cette garantie ne couvre pas (a) les produits qui ont été endommagés par des calamités naturelles, de la négligence, une mauvaise utilisation ou par accident, ou qui ont été modifiés ou réparés par des personnes non autorisées; (b) le coût de la main-d'œuvre; ou le coût de l'envoi du produit, de toute pièce ou de tout produit ou pièce de rechange.

Swing-N-Slide® RENONCE À TOUTES AUTRES REPRÉSENTATIONS ET GARANTIES DE TOUTES SORTES, EXPLICITES, IMPLICITES, RÉGLEMENTAIRES OU AUTRES, Y COMPRIS LES GARANTIES IMPLICITES DE QUALITÉ MARCHANDE ET D'ADÉQUATION À UN USAGE PARTICULIER. Swing-N-Slide® N'EST PAS RESPONSABLE DES DOMMAGES ACCESSOIRES OU INDIRECTS. Cette garantie n'est pas cessible, ni transférable à un propriétaire subséquent. Certains États interdisent les limitations sur les garanties implicites ou l'exclusion de dommages accessoires ou indirects, il est donc possible que ces restrictions ne s'appliquent pas dans le cas présent. Cette garantie vous donne des droits juridiques spécifiques. Vous pouvez également disposer d'autres droits, qui peuvent varier d'un État à l'autre.

De plus, cette garantie ne s'applique pas à :

- Des structures qui ne sont pas érigées, entretenues ou inspectées conformément aux plans d'installation de **Swing-N-Slide®**;
- Des structures auxquelles des pièces, ne respectant pas les plans d'installation de **Swing-N-Slide®**, ont été ajoutées ou substituées;
- Des pièces qui ont été modifiées ou mal utilisées;
- Des pièces qui n'ont pas été utilisées à des fins pour lesquelles elles ont été conçues;
- Des dommages dus à des calamités naturelles, au vandalisme, à un usage anormal ou abusif tel qu'établi par **Swing-N-Slide®**.

L'observation des déclarations et des avertissements suivants réduit les risques de blessures graves ou mortelles

Installation sécuritaire - Avez-vous :

- Consulté les instructions d'assemblage fournies avec l'unité de jeu?
- Noté que cet accessoire convient uniquement aux unités de jeu Swing•N•Slide approuvées? (ne modifiez pas sa composition et n'ajoutez ni ne retirez de composantes);
- Vérifié que toute la quincaillerie est solidement fixée en place? (les capuchons protecteurs de boulons fournis doivent également être solidement fixés);
- Utilisé une scie à métaux pour couper les extrémités des boulons ou autres fixations qui dépassent, limé tous les bords tranchants avec une lime métallique et recouvert l'extrémité des attaches avec de la peinture sans plomb?
- Placé l'équipement sur une surface plane et de niveau à une distance d'au moins 6 pieds (1,8 m) de toute structure ou de tout objet, comme une clôture, un garage, une maison, des branches d'arbre surplombantes, une corde à linge ou des fils électriques?
- Vérifié que l'équipement de jeu n'est pas installé sur un sol en béton, en asphalte, en terre compactée ni sur toute autre surface dure? (une chute sur une surface dure peut entraîner de sérieuses blessures à l'utilisateur de cet équipement);
- Vérifié que les cordes d'escalade suspendues, les chaînes ou câbles sont solidement ancrés aux deux bouts et ne peuvent pas s'enrouler sur eux-mêmes?
- Consulté les directives d'assemblage du modèle afin de connaître les zones d'utilisation minimales?
- Utilisé un scellant hydrofuge pour protéger le bois et prévenir l'apparition de fissures et de déformation sur votre ensemble de jeu?
- Respecté toutes les exigences d'ancrage et de recouvrement amortissant pertinentes qui figurent au verso de cette feuille?
- Interdit aux enfants d'utiliser l'équipement tant que l'assemblage n'est pas complètement terminé?
- Veillé à ajuster toutes les balançoires, afin qu'il y ait une distance minimum de 8 po (200 mm) entre la balançoire et la surface du sol?

Précautions d'utilisation – Vous devez :

- Assurer qu'un adulte est présent pour surveiller les enfants de tous âges.
- Aviser les enfants de respecter les consignes qui suivent avant de leur permettre d'utiliser l'équipement.
 - Ne pas marcher près ni en face des éléments mobiles, ni derrière ceux-ci.
 - Ne pas tordre la balançoire ou toute autre chaîne et corde accessoires et ne pas les entortiller sur la barre de soutien supérieure, car cela réduirait la résistance de la chaîne ou de la corde.
 - Ne pas balancer les sièges de balançoire ou d'autres accessoires lorsqu'ils sont vides.
 - Ne pas glisser le long des chaînes de la balançoire.
 - Vous assurer d'être assis bien au centre du siège de la balançoire et des autres accessoires avec votre poids entier sur le siège.
 - Ne pas attacher d'objets sur l'équipement de jeu qui ne sont pas spécifiquement conçus pour cet équipement tels que, mais sans s'y limiter, cordes à sauter, cordes à linge, laisses d'animaux, câbles et chaînes. Ils pourraient présenter des risques de strangulation.
 - Ne pas grimper ou marcher sur le dessus des poutres, des rampes ou du toit de la balançoire.
 - Veiller à ne pas utiliser l'équipement à des fins autres que celles prévues.
 - Ne pas descendre de l'équipement lorsqu'il est en mouvement.
 - Ne pas grimper sur l'équipement lorsqu'il est mouillé.
 - Veiller à descendre les pieds devant.
- Vous assurer qu'un seul enfant à la fois, par siège, doit être permis sur cet équipement.
- Déterminé que les enfants doivent être habillés convenablement pour jouer. Évitez les vestes à capuchon, casques de bicyclette ou d'autres sports, les vêtements avec des cordons et les vêtements amples qui pourraient s'emmêler ou s'accrocher sur l'équipement.
- Déterminé que les cordes d'escalade suspendues, les chaînes ou câbles sont solidement ancrés aux deux bouts et ne peuvent pas s'enrouler sur eux-mêmes.
- Vous assurer que la glissoire est installée de façon à ne pas être exposée à un ensoleillement direct.

Entretien de sécurité – Suivez ces consignes d'entretien préventif aux intervalles de temps requis :

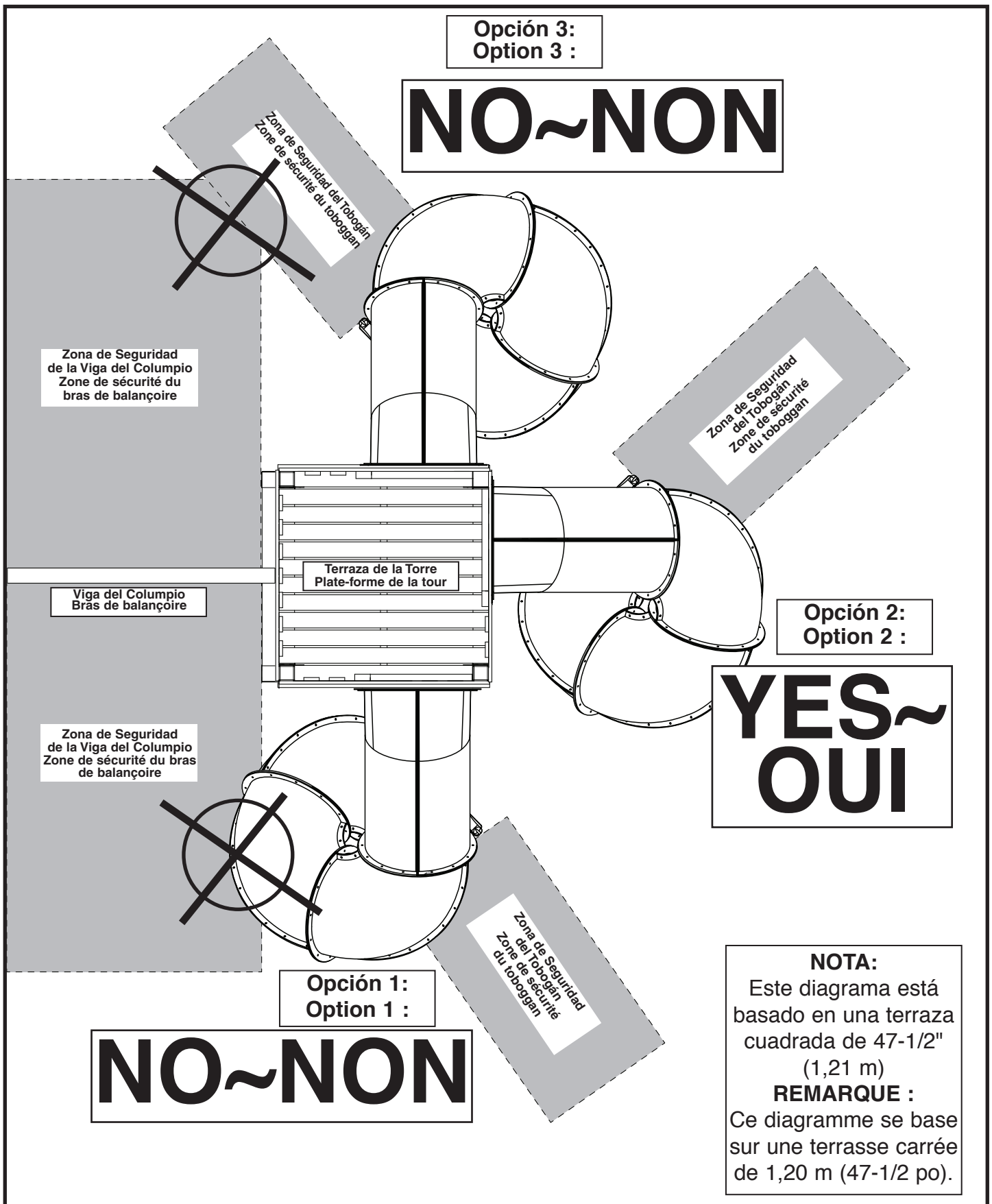
- Pour empêcher la détérioration des matériaux, retirez les sièges de balançoire en plastique et les autres accessoires en plastique lorsque les températures extérieures descendent jusqu'à ou en dessous de 0 °C (32 °F) et rentrez-les à l'intérieur. Réinstallez ces éléments en plastique au début de chaque saison de jeux à l'extérieur.
- Au début de chaque saison de jeux à l'extérieur, inspectez les pièces métalliques à la recherche de rouille. Si vous trouvez des parties rouillées, poncez-les et repeignez-les avec une peinture sans plomb conforme aux exigences de la norme 16 CFR 1303 ou SOR/2005-109.
- Au début de chaque saison de jeux à l'extérieur et une fois par mois pendant chaque saison, inspectez les pièces mobiles à la recherche d'usure, de rouille ou toute autre détérioration. Remplacez-les selon les besoins. Si une de ces conditions existe, appelez le 1 800 888-1232 pour commander les accessoires de rechange.
- Au début de chaque saison de jeux à l'extérieur et une fois par mois pendant chaque saison, lubrifiez les pièces métalliques mobiles.
- Au début de chaque saison de jeux à l'extérieur et deux fois par mois pendant chaque saison, inspectez toutes les protections couvrant les boulons, tuyaux, rebords et coins. Remplacez-les si elles sont desserrées, fissurées ou manquantes.
- Au début de chaque saison de jeux à l'extérieur et deux fois par mois pendant chaque saison, ratissez et vérifiez la profondeur du matériau particulaire de revêtement de protection pour en prévenir le compactage et maintenir une profondeur appropriée. Remplacez si nécessaire.
- Au début de chaque saison de jeux à l'extérieur et deux fois par mois pendant chaque saison, resserrez toutes les pièces de quincaillerie.
- Au début de chaque saison de jeux à l'extérieur et deux fois par mois pendant chaque saison, inspectez tous les éléments en bois à la recherche de détérioration et d'échardes. Poncez les échardes pour les éliminer et remplacez les éléments en bois détériorés.

Instructions pour la mise au rebut

Lorsque l'équipement est mis hors service, il doit être démonté et conditionné de sorte qu'aucun danger justifié ne sera présent lors de la mise au rebut de l'ensemble.

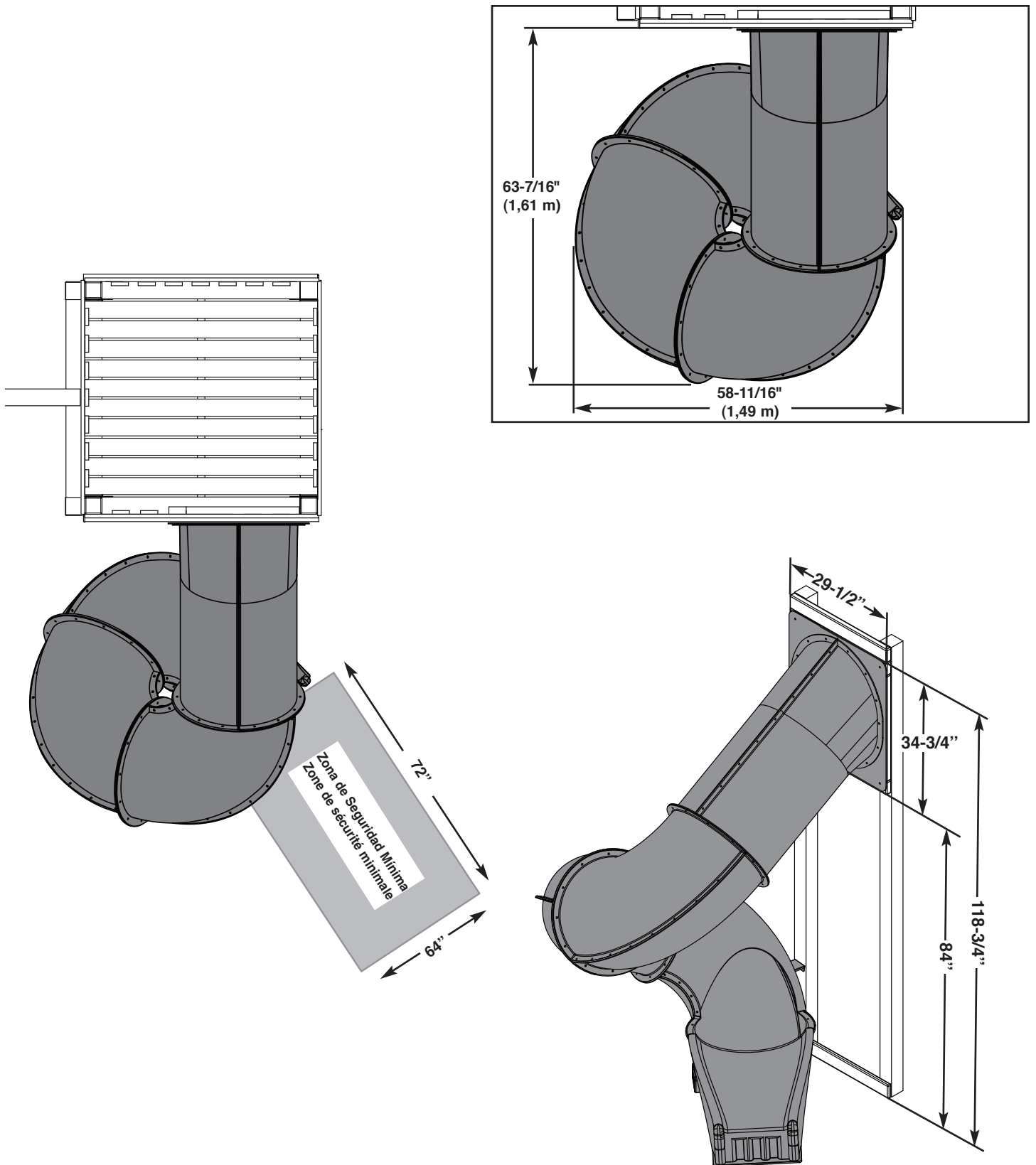
Important! Instructions supplémentaires de sécurité pour tous les centres de jeu Swing-N-Slide. Conserver ce feuillet d'instruction au cas où vous devriez prendre contact avec le fabricant.

Ubicación Correcta del Tobogán de Tubo Turbo en la Torre Placement adéquat du toboggan Turbo Tube sur la tour



Dimensiones del Tobogán de Tubo Turbo

Dimensions du toboggan Turbo Tube





A PLAYCORE Company

INSTRUCCIONES DE ENSAMBLAJE INSTRUCTIONS D'ASSEMBLAGE

Tobogán de Tubo Turbo de 7' (2,14 m) **Toboggan Turbo Tube de 2,13 m (7 pi)**

Nota: Este accesorio está diseñado para ajustarse sólo a terrazas de 7' (2,14 m) de alto.

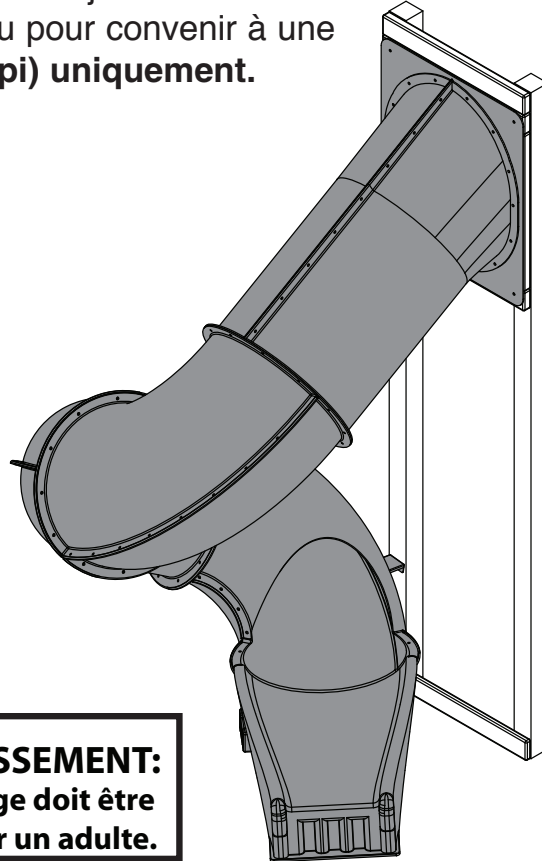
Remarque : Cet accessoire est conçu pour convenir à une hauteur de plate-forme de 2,13 m (7 pi) uniquement.

PRECAUCIÓN

- No trepar sobre el lado exterior del tobogán
- Este tobogán fue diseñado únicamente para ser usado en el hogar, no en Parques Públicos
- Producto destinado a niños con edades entre los 2 y los 10 años de edad.

ATTENTION

- Ne grimpez pas sur l'extérieur du toboggan
- Ce toboggan est conçu pour une utilisation résidentielle uniquement, non pour les aires de jeux publiques
- Le produit est prévu pour les enfants âgés de 2 à 10 ans.



ADVERTENCIA:
El ensamblaje lo debe hacer un adulto.



AVERTISSEMENT:
L'assemblage doit être exécuté par un adulte.

¡IMPORTANTE! ~ IMPORTANT!!

¡POR FAVOR, LEE ANTES DE COMENZAR LA INSTALACIÓN!

VEUILLEZ LIRE AVANT DE COMMENCER L'ASSEMBLAGE!!

Asegúrate de que no falten ninguna de las maderas, los herrajes y accesorios. Si falta alguna pieza, por favor **NO REGRESES** a la tienda donde compraste el producto. Por favor llama a nuestro Equipo de Servicio al Cliente al número a continuación.

Veillez vous assurer que toutes les pièces de bois d'œuvre, de quincaillerie et d'accessoires sont présentes. S'il vous manque quelque chose, veuillez **NE PAS RETOURNER** au magasin où vous avez fait l'achat. Veuillez communiquer avec le service à la clientèle au numéro ci-dessous.

Para registrar tu producto y descargar instrucciones del Tobogán de Tubo Turbo específicas para la unidad, visita:
Afin d'enregistrer votre produit et de télécharger les instructions spécifiques du toboggan Turbo Tube, veuillez visiter :

<http://www.swing-n-slide.com>

Otros beneficios incluyen información acerca de las garantías del producto, actualizaciones del plan de ensamblaje, unirse a nuestra lista de correo para recibir información sobre nuevos productos y promociones y dar opiniones acerca de nuestros productos.

D'autres bénéfices comprennent des renseignements sur les garanties des produits, les mises à jour du plan d'assemblage, votre inscription à notre liste de diffusion pour les nouveaux produits et promotions et fournir des commentaires sur les produits.

Swing•N•Slide • 1212 Barberry Drive • Janesville, Wisconsin 53545

Visita nuestro sitio en Internet: www.swing-n-slide.com o llámanos al

Veillez visiter notre site à l'adresse suivante : www.swing-n-slide.com ou appelez-nous au

1-800-888-1232