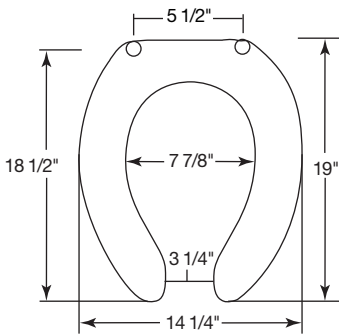




COMMERCIAL PLASTIC SEATS

MODEL 295C

- ELONGATED SEAT, OPEN FRONT LESS COVER
- SOLID PLASTIC
- POSTUREPEDIC CONTOUR DESIGN
- CONCEALED 300 SERIES STAINLESS STEEL CHECK HINGES



Ring thickness is 13/16"
 Ring thickness including the bumper is 1"
 Height of Seat is 2-1/4"

Seats shall be No. _____ as manufactured by Church Seats. Seats shall be heavy weight and injection-molded of solid plastic. Seats shall be open front less cover for elongated bowl and feature exclusive Posturepedic contour design and four large molded-in bumpers. Concealed check hinges to feature 300 Series stainless steel posts that stop seat 11 degrees beyond vertical. Uses 300 Series stainless steel hardware. Color to be _____. (specify white or fixture manufacturer's color) Hinges shall be _____. (specify hinge type)

295C Concealed check hinge stops seat 11° beyond vertical.

295SSC Self-sustaining, concealed stainless steel check hinge holds seat in any raised position up to 11° beyond vertical.

