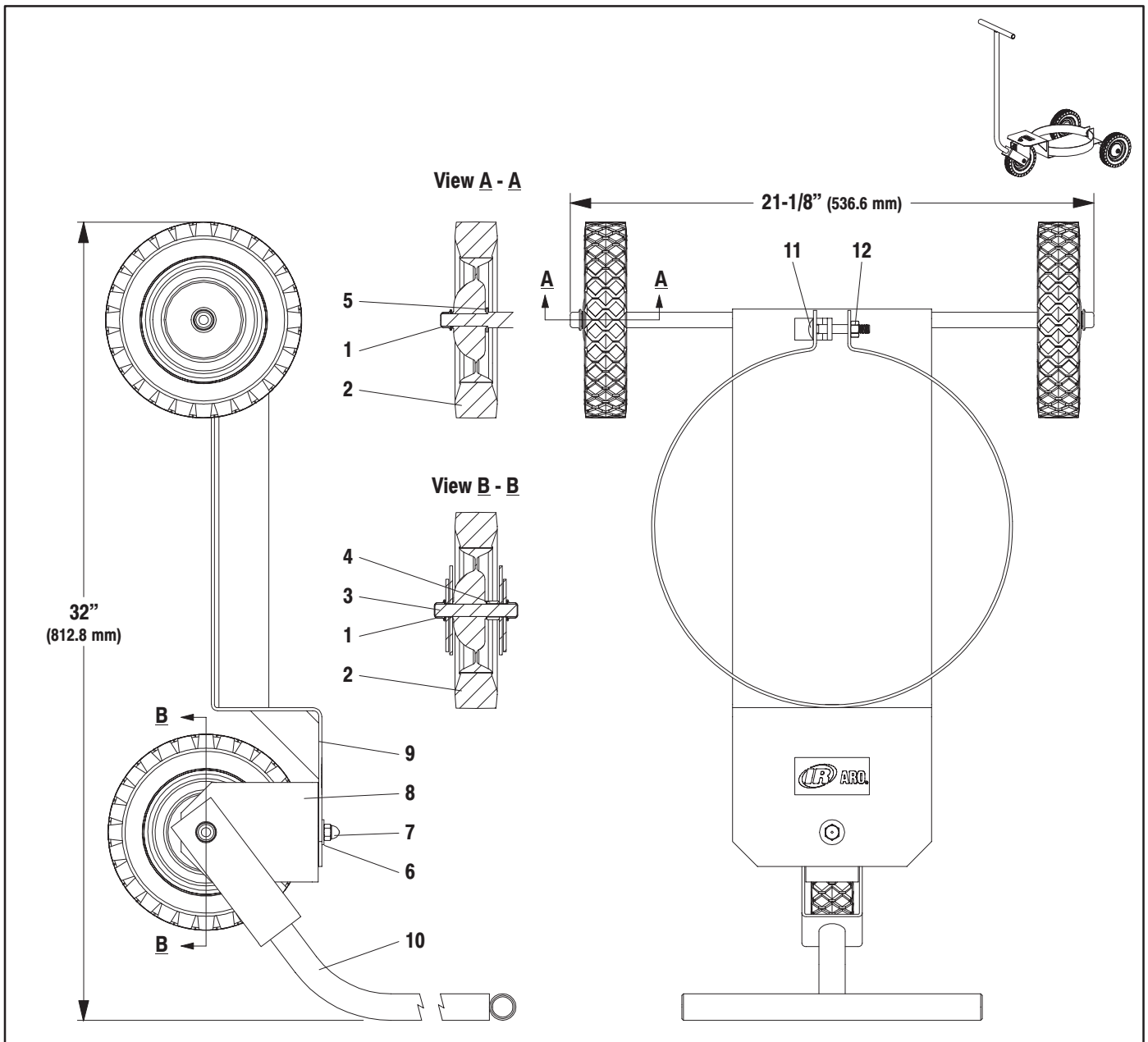


3 WHEEL DOLLY 120 LB. DRUM CAPACITY

RELEASED: 6-19-73
REVISED: 8-28-03
(REV. C)



PARTS LIST

Item	Description (size in inches)	Qty	Part No.
1	Nut	(4)	77317
2	8" Wheel	(3)	71045-1
3	Axle	(1)	77915
4	Spacer	(1)	77923
5	Washer	(2)	73473
6	Washer (3/8")	(1)	Y13-6-C

Item	Description (size in inches)	Qty	Part No.
7	Acorn Nut (3/8" - 16)	(1)	Y85-8-C
8	Holder and Pin Assembly	(1)	61731
9	Dolly Base Assembly	(1)	61733
10	Handle Assembly	(1)	61730
11	Carriage Bolt (3/8" - 16 x 2-1/4")	(1)	Y84-606-C
12	Nut (3/8" - 16)	(1)	Y12-6-C

PN 97999-231

INGERSOLL-RAND COMPANY
P.O. BOX 151 • ONE ARO CENTER • BRYAN, OHIO 43506-0151
☎ (419) 636-4242 • FAX (419) 633-1674 ©2003 CCN 81377954

