

COASTER[®]

FINE FURNITURE

460228 (B1 & B2)

TWIN / FULL BUNKBED

ASSEMBLY INSTRUCTIONS

COASTER FINE FURNITURE



www.coastercompany.com

ASSEMBLY TIPS:











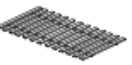
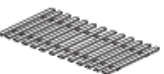



1. Remove hardware from box and sort by size
2. Please check to see that all hardware and parts are present prior start of assembly.
3. Please follow attached instruction in the same sequence as numbered to assure fast & easy assembly.



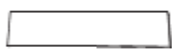
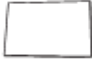



Warning!

1. Don't attempt to repair or modify parts that are broken or defective. Please contact the store immediately.
2. This product is for home use only and not intended for commercial establishment










PARTS IDENTIFICATION

A		LEFT FRONT POST	1PC
B		RIGHT FRONT POST	1PC
C		LEFT BACK POST	1PC
D		RIGHT BACK POST	1PC
E		UPPER BED END PANEL	2PCS
F		LOWER BED END PANEL	2PCS
G		UPPER FRONT BED RAIL	1PC
H		LOWER FRONT BED PANEL	1PC
I		BACK BED RAIL	2PCS
J		GUARDRAIL	4PCS
K		UPPER BUNK ROLL SLAT	13PCS
L		LOWER BUNK ROLL SLAT	13PCS
M		LADDER	1PC
N		TRESTLE BAR	2PCS
O		DRAWER SIDE PANEL WITH CASTORS	4PCS

PARTS IDENTIFICATION

P		DRAWER BACK PANEL	2PCS
Q		DRAWER BOTTOM PANEL	2PCS
R		DRAWER FRONT PANEL	2PCS
S		CENTER RAIL	1PC
T		CENTER RAIL SUPPORT	3PCS

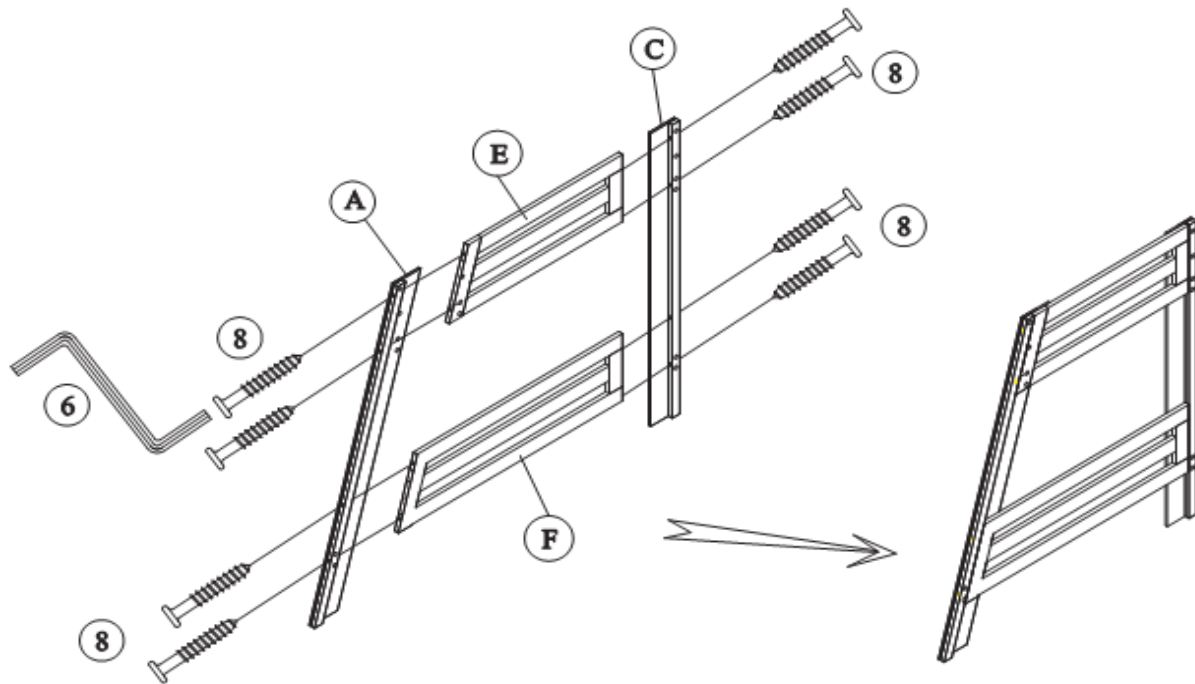
HARDWARE IDENTIFICATION

1		LONG BOLT	16PCS
2		WASHER	16PCS
3		SHORT BOLT	4PCS
4		SHORT ALLEN CAP SCREW	8PCS
5		LONG WOOD SCREW	65PCS
6		ALLEN WRENCH	1PC
7		SHORT WOOD SCREW	16PCS
8		LONG ALLEN CAP SCREW	16PCS
9		WOOD DOWEL	24PCS

STEP 1

Align and fasten upper and lower bed end panels to right front and back post using long allen cap screw and tighten with allen wrench.

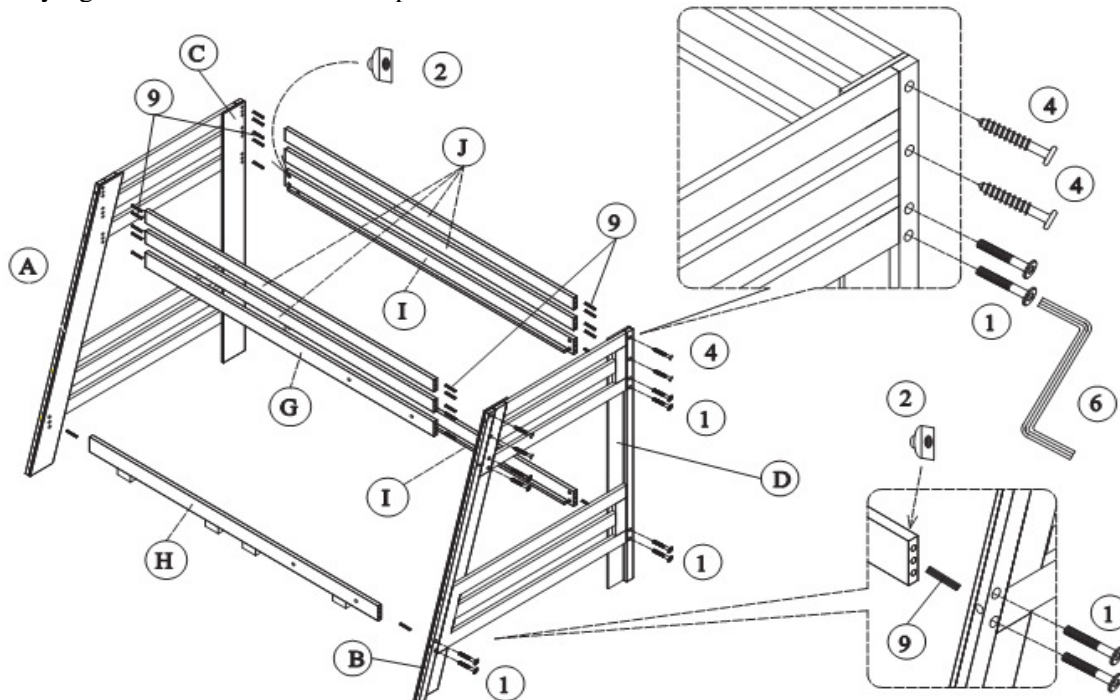
Repeat the same process for left bed end.



STEP 2

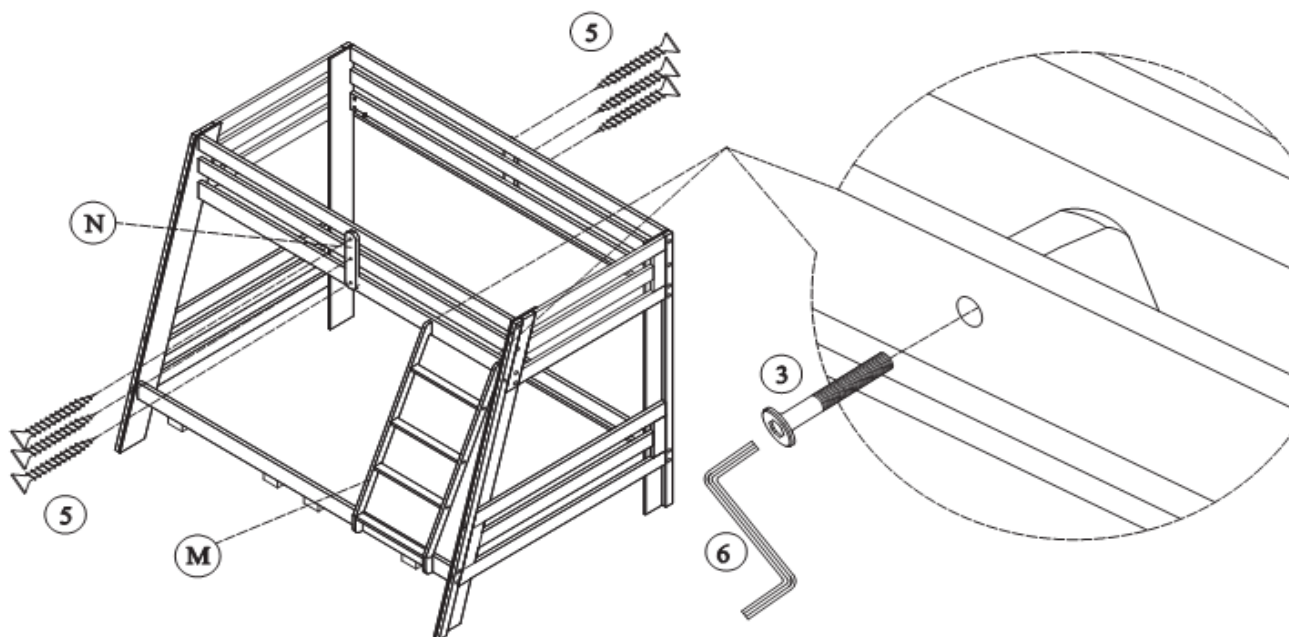
Insert dowel into the hole at the end of upper and lower front bed rail, back bed rail and guardrails.

- 2.1) Align and half tighten lower front and back bed rails using long bolt.
- 2.2) Align and half tighten upper front and back bed rails to bed ends using long bolt.
- 2.3) Align and hard tighten guardrails to bed ends using short allen cap screw.
- 2.4) Fully tighten all bolts and allen cap screws with allen wrench.



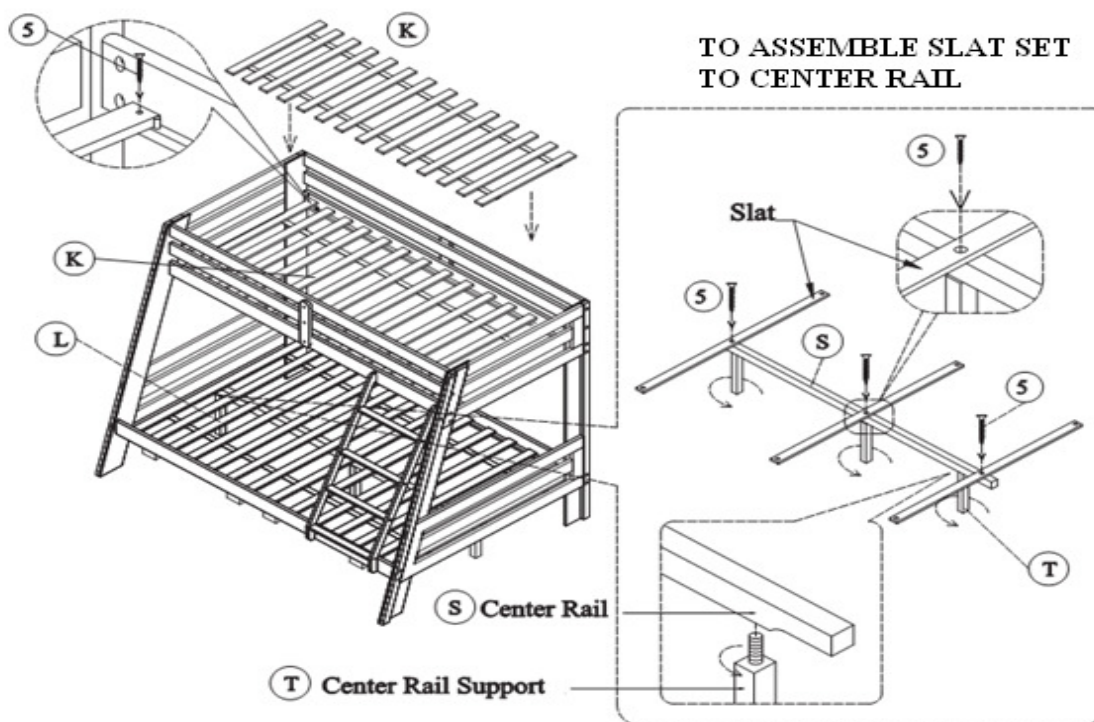
STEP 3

Align and fasten trestle bar to guardrails and bed rails using long wood screw and tighten with screw driver (not included). Align and fasten ladder to bed rails using short bolt and tighten with allen wrench.



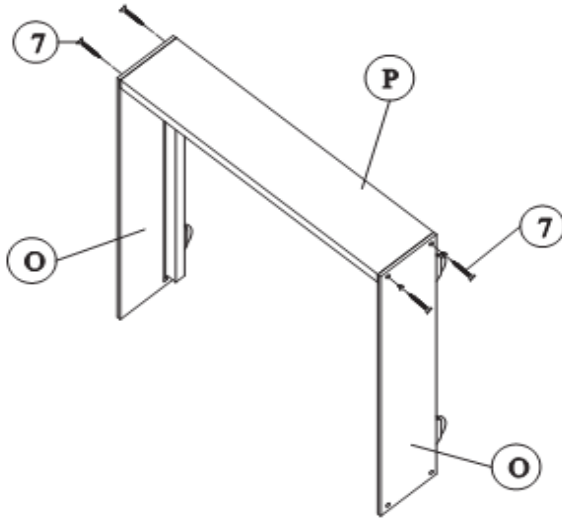
STEP 4

- 4.1) Align and fasten upper bunk roll slat to bed rails using long screw and tighten with screw driver (not included).
- 4.2) Screw in the center rail support to center rail then align and fasten lower bunk roll slat to center rail using long screw and tighten with screw driver (not included).
- 4.3) Align and fasten slats to bed rails using long screw and tighten with screw driver (not included).



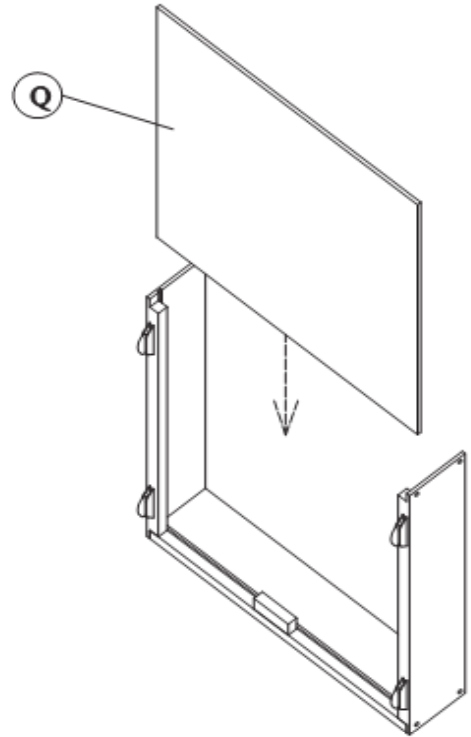
STEP 5

Align and fasten drawer back panel to side panel using short screw and tighten with screw driver (not included).



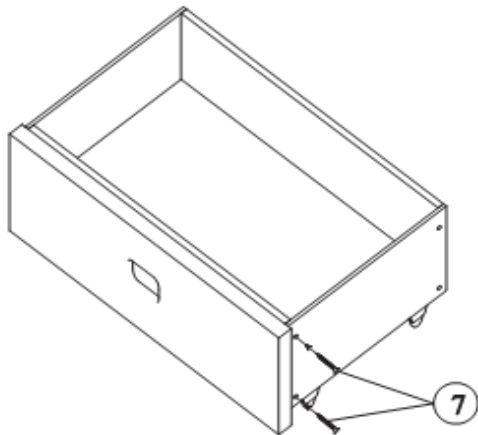
STEP 6

Align and slot the drawer bottom panel to side and back panels.



STEP 7

Align and fasten drawer front panel to side panels using short screw and tighten with screw driver (not included).



STEP 8

Push the drawers into place.

