

ASSEMBLY INSTRUCTION
COASTER FINE FURNITURE

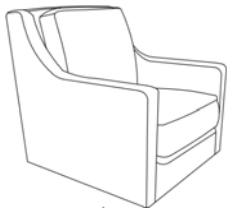
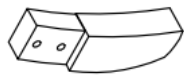







Assembly Instruction

ASSEMBLY TIPS:

- 1:Remove hardware from box and sort by size
 - 2:Please check to see that all hardware and parts are
 - 3:Please follow attached instructions in the same
- ⚠ warning
- 1:Don't attempt to repair or modify parts that
 - 2:This product is for home use only and not

PARTS IDENTIFICATION:

- | | | |
|------------|---|-------|
| A. CHAIR |  | 1 PC |
| B. LEGS |  | 2 PCS |
| C. CHELA |  | 2 PCS |
| D. SCREW |  | 4 PCS |
| E. SCREW |  | 4 PCS |
| F. GASKETS |  | 8 PCS |
| G. WRENCH |  | 1 PC |

