

COASTER[®]
FINE FURNITURE

701508

3PCS OCCASIONAL TABLE SET

**ASSEMBLY INSTRUCTION
COASTER FINE FURNITURE**



www.coastercompany.com

Assembly Instruction

ASSEMBLY TIPS:






1. Remove hardware from box and sort by size.
2. Please check to see that all hardware and parts are present prior start of assembly.
3. Please follow attached instructions in the same sequence as numbered to assure fast & easy assembly.









Warning !

1. Don't attempt to repair or modify parts that are broken or defective .Please contact the store immediately.
2. This product is for home use only and not intended for commercial establishment.

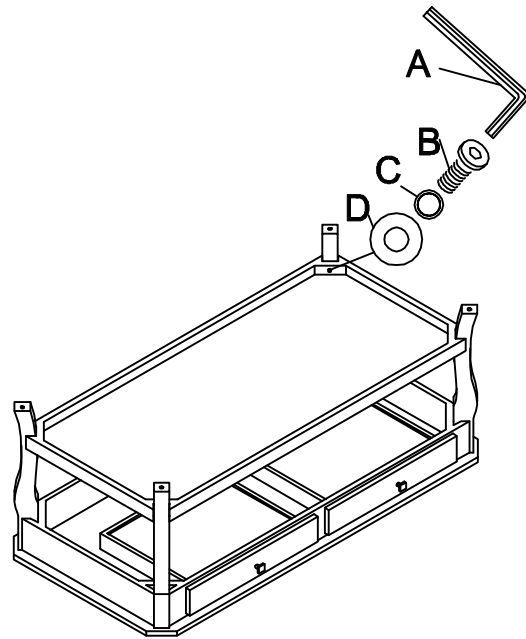
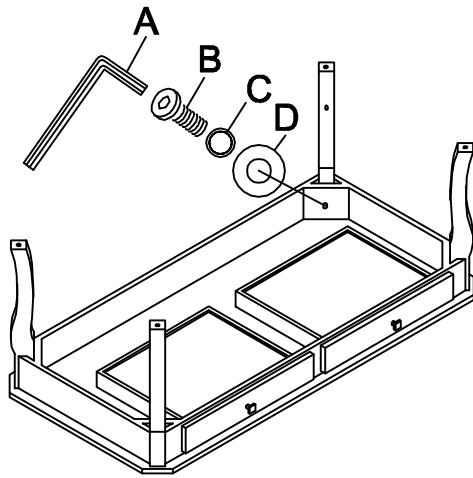
PARTS IDENTIFICATION

- | | | | |
|-----|---|--------------------|------|
| (1) |  | COFFEE TABLE TOP | 1pcs |
| (2) |  | COFFEE TABLE SHELF | 1pcs |
| (3) |  | COFFEE TABLE LEG | 4pcs |
| (4) |  | END TABLE TOP | 2pcs |
| (5) |  | END TABLE LEG | 8pcs |

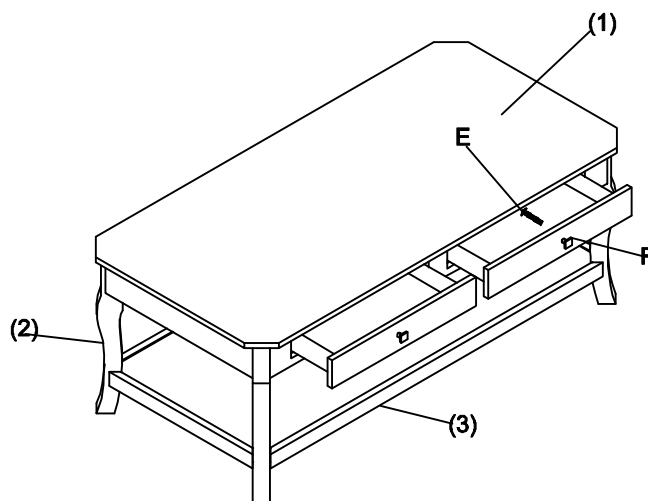
HARDWARE IDENTIFICATION

A		5MM ALLEN KEY	1pc
B		1/4" X2-1/4" BOLT	16pcs
C		Ø1/4" SPRING WASHER	16pcs
D		Ø1/4" FLAT WASHER	16pcs
E		5/32"*1-1/4" BOLT	4pcs
F		KNOB	4pcs

STEP1



STEP2



STEP3

