

**COASTER**<sup>®</sup>  
FINE FURNITURE

**100173**

**Wine Unit**

---

**ASSEMBLY INSTRUCTION  
COASTER FINE FURNITURE**



**[www.coastercompany.com](http://www.coastercompany.com)**

# Assembly Instruction

**ASSEMBLY TIPS:**

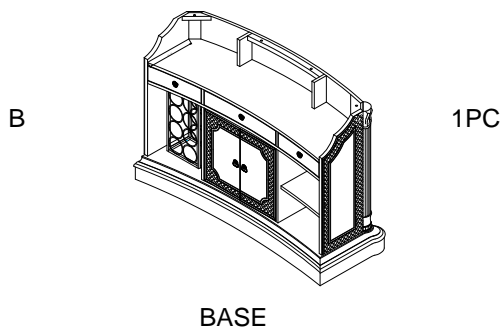
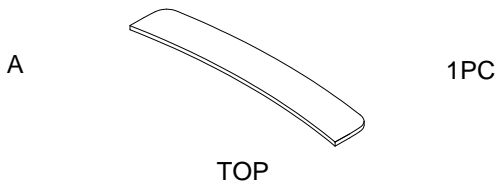
1. Remove hardware from box and sort by size.
2. Please check to see that all hardware and parts are present prior to start of assembly.
3. Please follow attached instructions in the same sequence as numbered to assure fast & easy assembly.




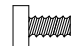



**Warning !**

1. Don't attempt to repair or modify parts that are broken or defective .Please contact the store immediately.
2. This product is for home use only and not intended for commercial establishment.

**PARTS IDENTIFICATION**

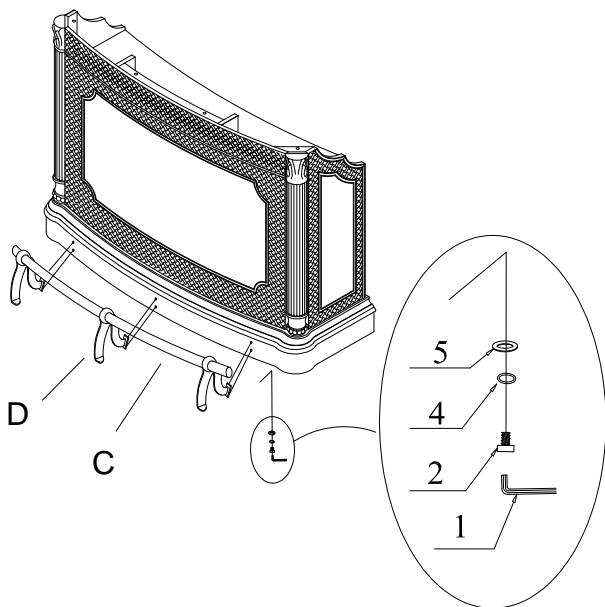


**Z HARDWARE PACKAGE**

NO	DESCRIPTION	FIGURE	Q'TY
1	ALLEN WRENCH		1PC
2	SHORT BOLT		6PCS
3	LONG BOLT		4PCS
4	LOCK WASHER		10PCS
5	FLAT WASHER		10PCS

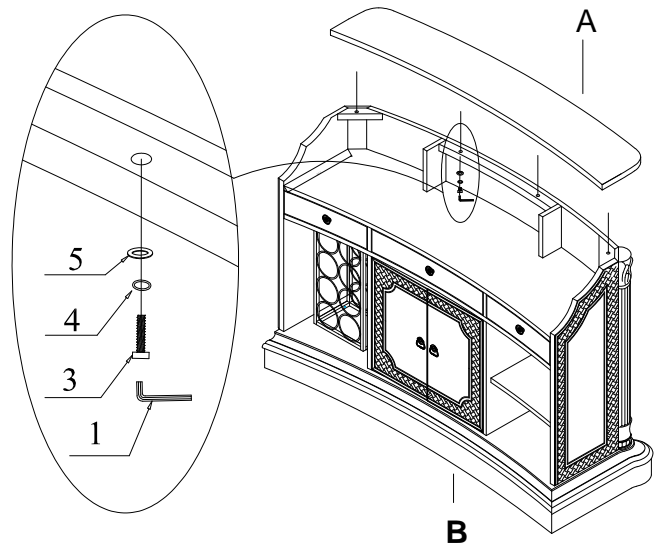
STEP1

Align and fasten pron pinping and base to foot rest using short bolt,lock washer and flat washer and short bolt with allen wrench.



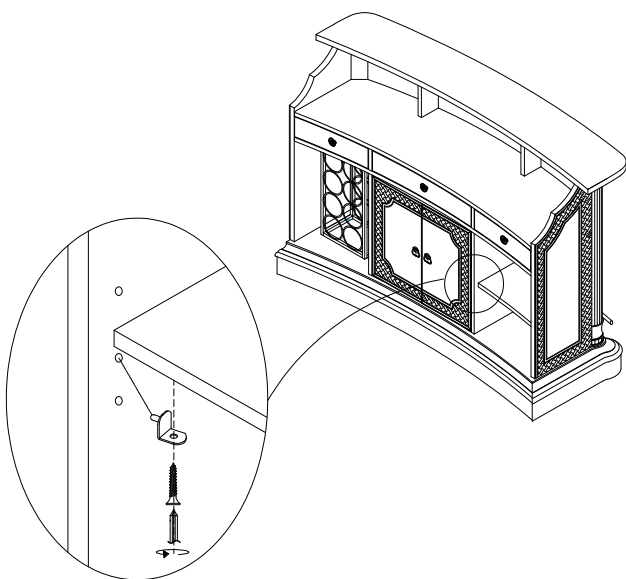
STEP2

Align and fasten top to base using long bolt, lock washer and flat washer and long bolt with allen wrench.



STEP3

You can adjust shelves by simply removing the shelf from the original location and adjusting the height of the pins and securing tightly after determining desired position.



COMPLETE

