

COASTER®

FINE FURNITURE

460136 (B1 - B3)

TWIN / TWIN BUNKBED

ASSEMBLY INSTRUCTIONS
COASTER FINE FURNITURE



www.coastercompany.com

ASSEMBLY TIPS:





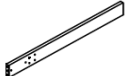
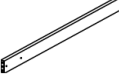
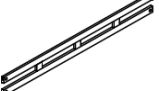






1. Remove hardware from box and sort by size
2. Please check to see that all hardware and parts are present prior to start of assembly.
3. Please follow attached instruction in the same sequence as numbered to assure fast & easy assembly.







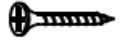

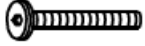

Warning!

1. Don't attempt to repair or modify parts that are broken or defective. Please contact the store immediately.
2. This product is for home use only and not intended for commercial establishments.

PARTS IDENTIFICATION

A1		LEFT UPPER BED END	1PC
A2		RIGHT UPPER BED END	1PC
B		LOWER BED END	2PCS
C		UPPER & LOWER BED RAIL	2PCS
D		UPPER FRONT BED RAIL	1PC
E		LOWER FRONT BED RAIL	1PC
F		LONG GUARDRAIL	1PC
G		SHORT GUARDRAIL	1PC
H		TRESTLE BAR	1PC
I1		LEFT LADDER STILE	1PC
I2		RIGHT LADDER STILE	1PC
J		LADDER STEP	4PCS
K		ROLL SLAT (14 PCS)	2SETS

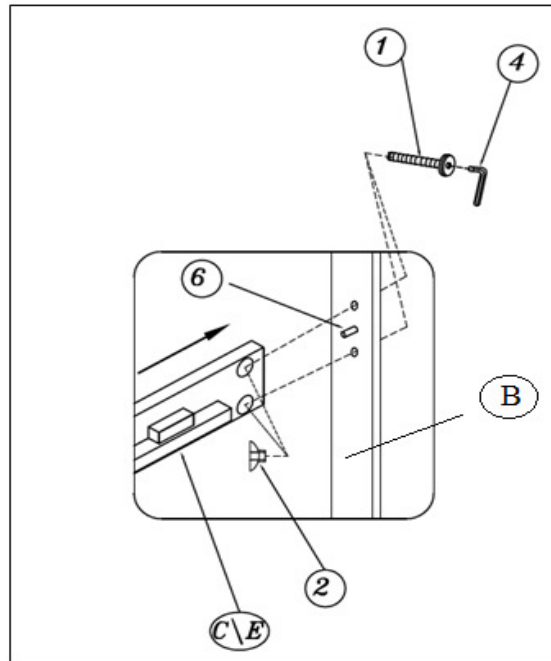
HARDWARE IDENTIFICATION

1		LONG BOLT	24PCS
2		NUT	24PCS
3		METAL ROD	4PCS
4		ALLEN WRENCH	1PC
5		FLAT HEAD SCREW	12PCS
6		WOOD DOWEL	16PCS
7		SHORT BOLT	8PCS
8		ALLEN CAP SCREW	8PCS

STEP 1

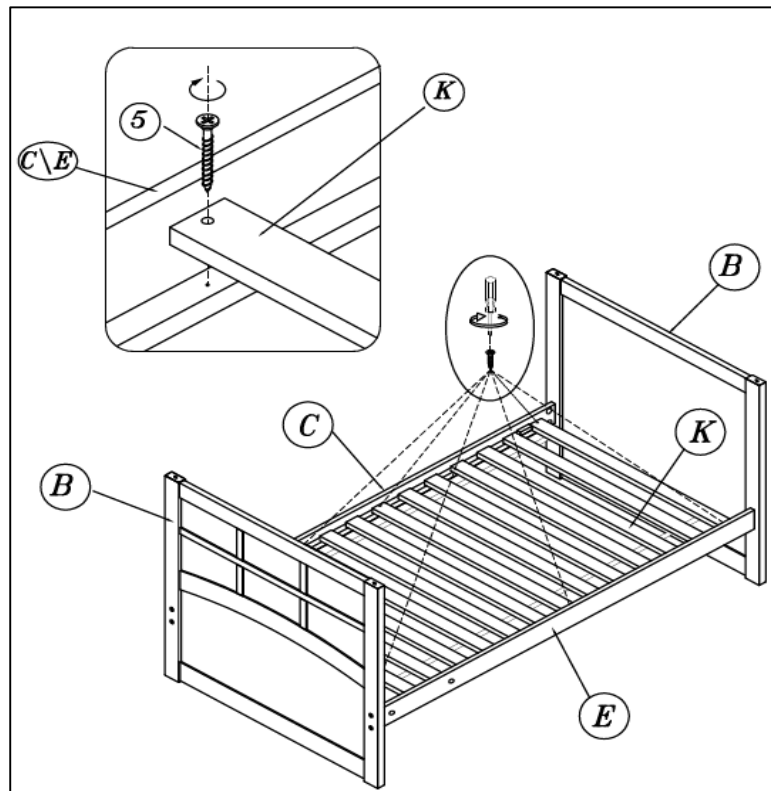
1.1) Insert wood dowel to lower bed end.

1.2) Align and fasten lower bed rail and lower front bed rail to lower bed end using nut and long bolt. Tighten with Allen wrench.



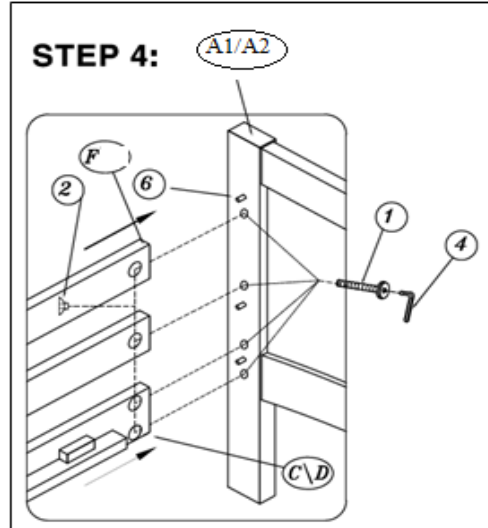
STEP 2

Align and fasten roll slat to bed rails using flat head screw and tighten with screw driver (not included).



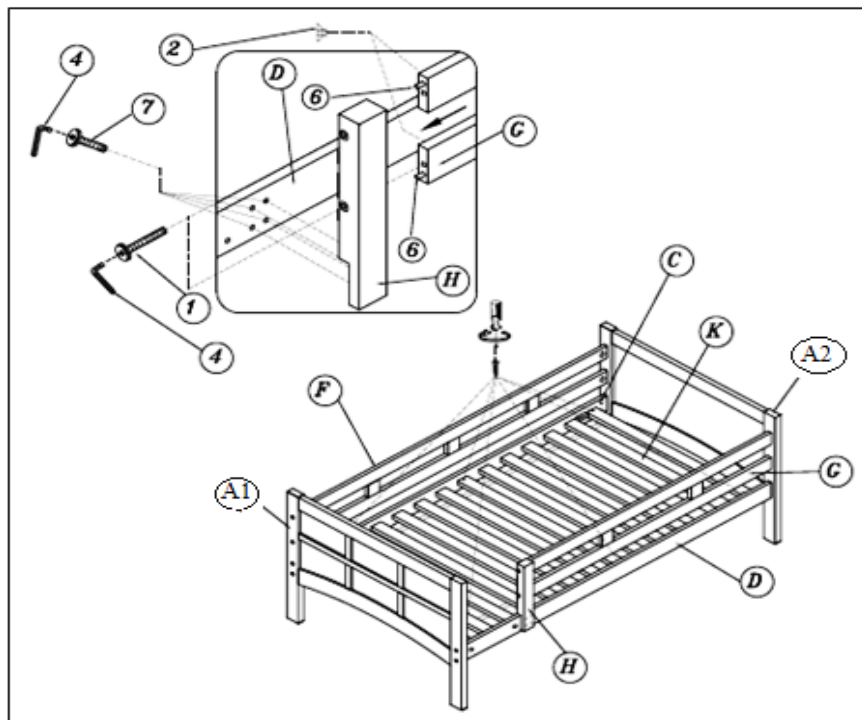
STEP 3

- 3.1) Insert wood dowel to left and right upper bed end.
- 3.2) Align and fasten upper bed rail and upper front bed rail to left and right upper bed end using nut and long bolt. **DO NOT TIGHTEN AT THIS STEP.**
- 3.3) Align and fasten long guardrail to left and right upper bed end using nut and long bolt. **THEN TIGHTEN ALL THE BOLTS AT STEP 3.2 & 3.3 WITH ALLEN WRENCH.**



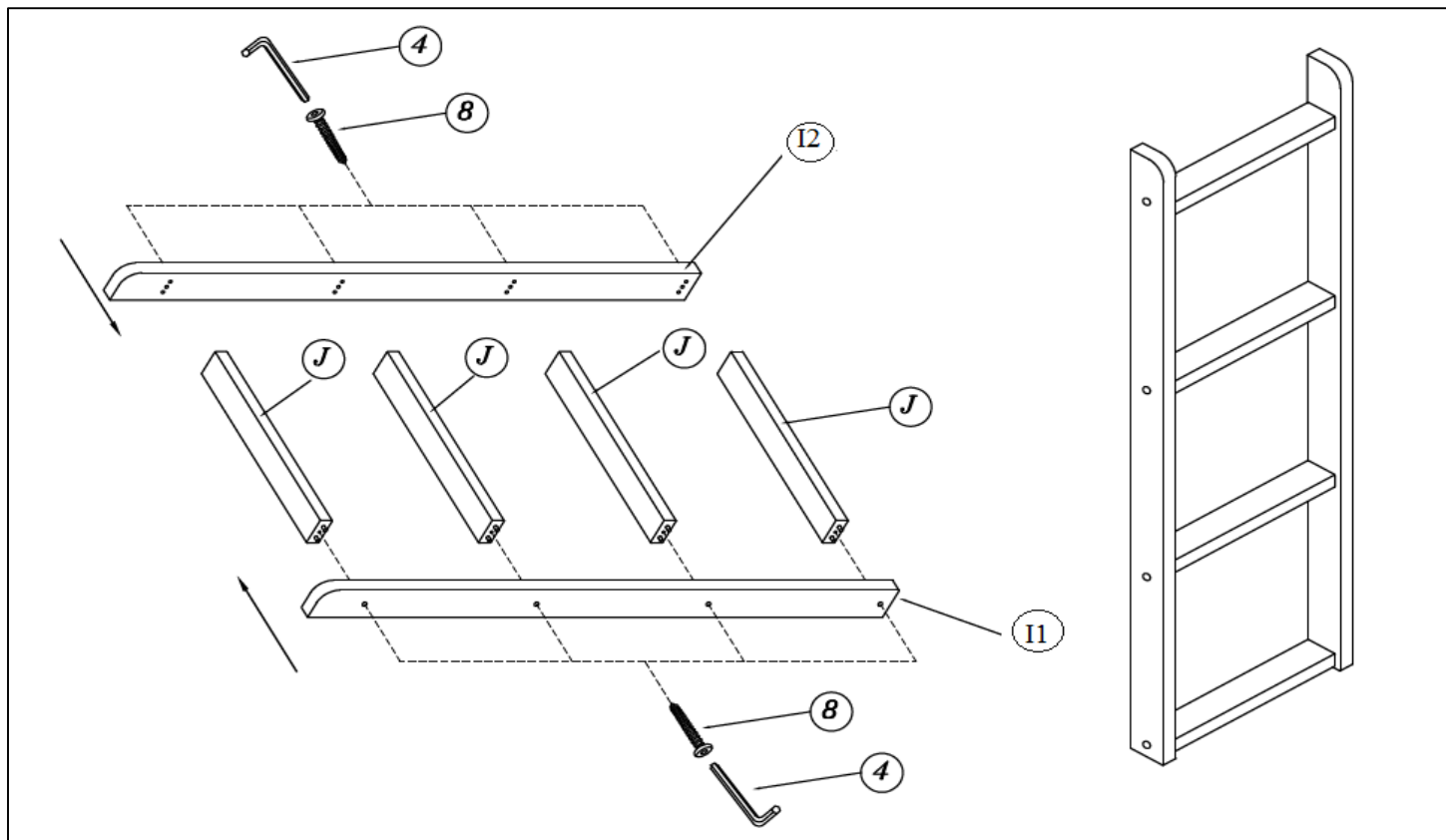
STEP 4

- 4.1) Insert wood dowel to the end of short guardrail.
- 4.2) Align and fasten short guardrail to trestle bar and right upper bed end using nut and long bolt. **DO NOT TIGHTEN AT THIS STEP.**
- 4.3) Align and fasten trestle bar to upper front bed rail using short bolt. **THEN TIGHTEN ALL THE BOLTS AT STEP 4.2 & 4.3 WITH ALLEN WRENCH.**
- 4.4) Align and fasten roll slat to bed rails using flat head screw and tighten with screw driver (not included).



STEP 5

Align and fasten ladder step to left and right ladder stile using Allen cap screw and tighten with Allen wrench.

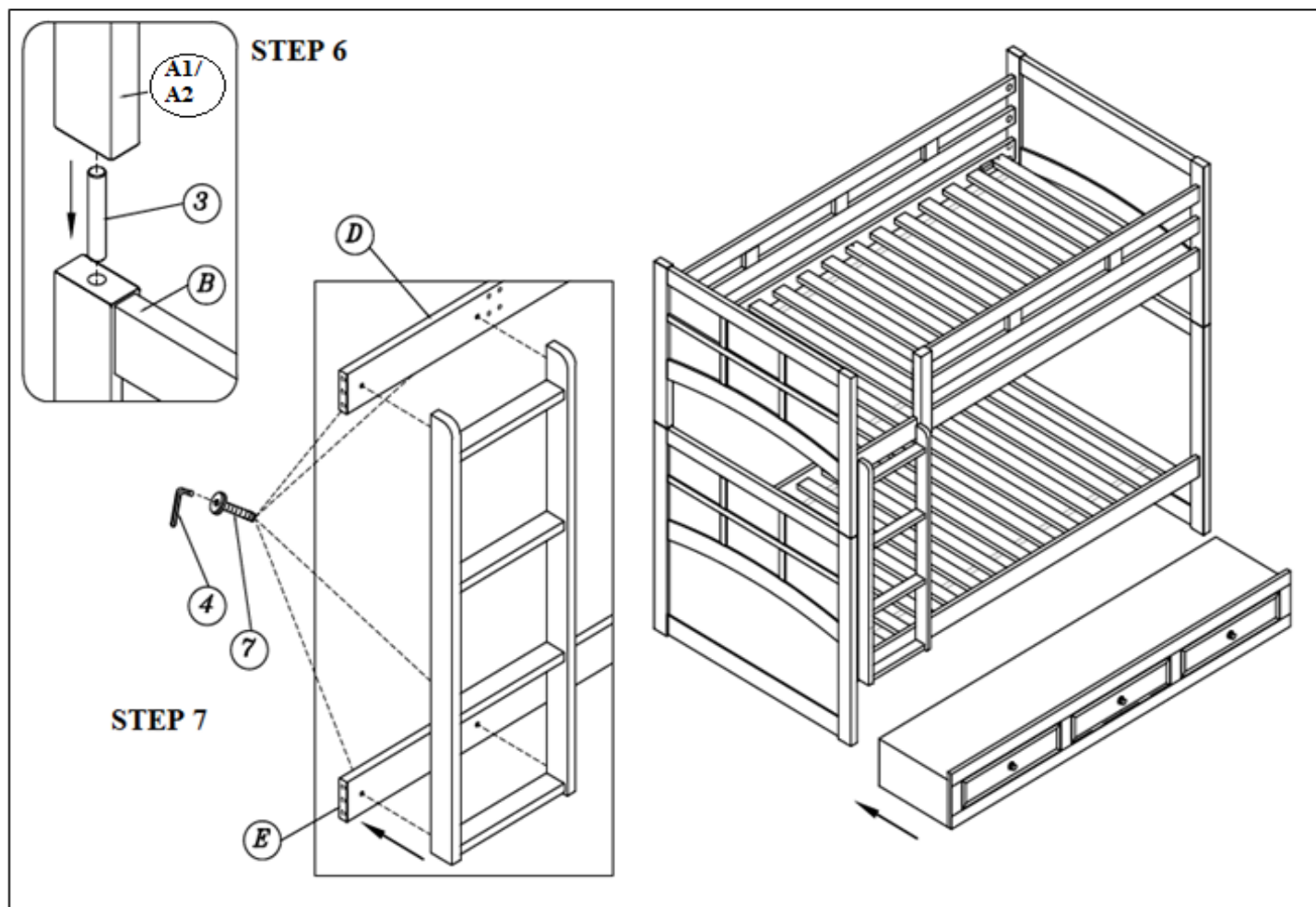


STEP 6

Insert metal rod to the top of lower bed end. Align and place the upper bed end onto the lower bed end.

STEP 7

Align and fasten ladder stile to the lower and upper front bed rail using short bolt and tighten with Allen wrench.



SAFETY WARNING

Coaster puts your child's safety as a Top Priority. Our bunk beds have been tested by an independent laboratory and are certified to be in compliance with ASTM F-1427, "Standard Consumer Safety Specification for Bunk Beds" and U.S. Government specifications 16 Code of Federal Regulations, parts 1213 and 1513.

- 1 Follow the information on the warning attached to the upper bunk end structure and on the carton. Do not remove this label.
 - 2 Always use the recommended size mattress or mattress support or both to help prevent the likelihood of entrapment or falls.
 - 3 Surface of mattress must be at least five inches (127mm) below the upper edge of guardrails.
 - 4 Do not allow children less than six years of age to use the upper bunk.
 - 5 Prohibit more than one person on upper bunk.
 - 6 Periodically check and ensure that the guardrail, ladder and other components are in their proper position, free from damage, and that all connectors are tight.
 - 7 Do not allow horseplay on or under the bed and prohibit jumping on the bed.
 - 8 Always use the ladder for entering and leaving the upper bunk.
 - 9 Do not use substitute parts. Contact the manufacturer or dealer for replacement parts.
 - 10 Use of a night light may provide added safety precaution for a child using upper bunk.
 - 11 If the bunk bed will be placed next to a wall, the guardrail that runs the full length of the bed should be placed against the wall to prevent entrapment between the bed and the wall. (This applies only to bunk beds without two full-length guardrails.)
 - 12 Always use guardrails on both long sides of the upper bunk.
 - 13 The use of water or sleep flotation mattress is prohibited.
 - 14 Keep these instructions for future reference.
- STRANGULATION HAZARD:**
- 15 Never attach or hang items to any part of the bunk bed that are not designed for use with the bed for example, but not limited to hooks, belts, and jump ropes.

SIZE OF MATTRESS AND FOUNDATION:

Use only mattress which is 37 ½" – 38 ½" in width and 74" – 75" in length. The total thickness of mattress and foundation (slat kit, bunk board, etc.) combined must not exceed 6"

Note: There must be at least 5" from mattress sleeping surface to top edge of guardrail.

REPLACEMENT PARTS:

Replacement parts, including additional guardrails may be obtained from any COASTER Furniture Dealer.



WARNING

TO PREVENT SERIOUS OR FATAL INJURY

1. When using beds as bunk beds, the ladder **MUST** be securely attached to the upper bunk rail at all times.
2. When using the beds as two (2) separate floor-standing beds, the ladder **MUST** be stored in a separate location where children cannot use the ladder in any manner.
3. **DO NOT** use, nor permit children to use, the ladder in any manner whatsoever, other than to access the top unit when used as bunk beds, and only if the ladder is securely attached to the top bunk rail, as set forth in the instructions.
4. Any misuse or unauthorized use of the ladder could result in serious or fatal injury.
5. Failure to follow the above **WARNING**, and/or failure to follow assembly instructions completely, will void any and all liability of **COASTER COMPANY OF AMERICA** for damages and injury to persons and property.

COASTER[®]
FINE FURNITURE

www.coastercompany.com | 877- COASTER (262-7838)