

DWG#: 151535

7/22/2009

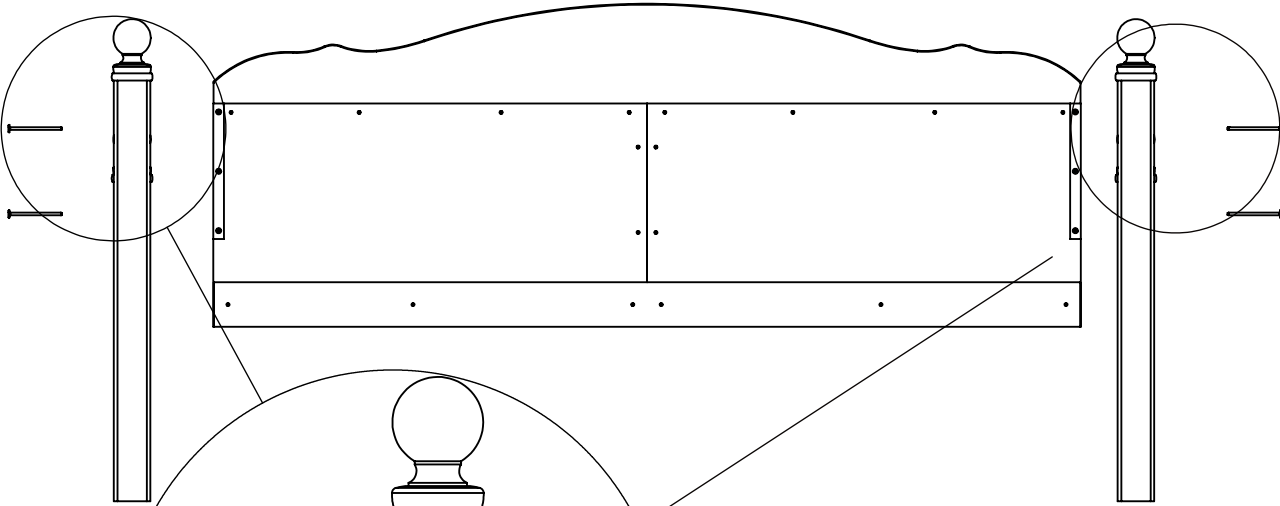
Rev.

Description

Date

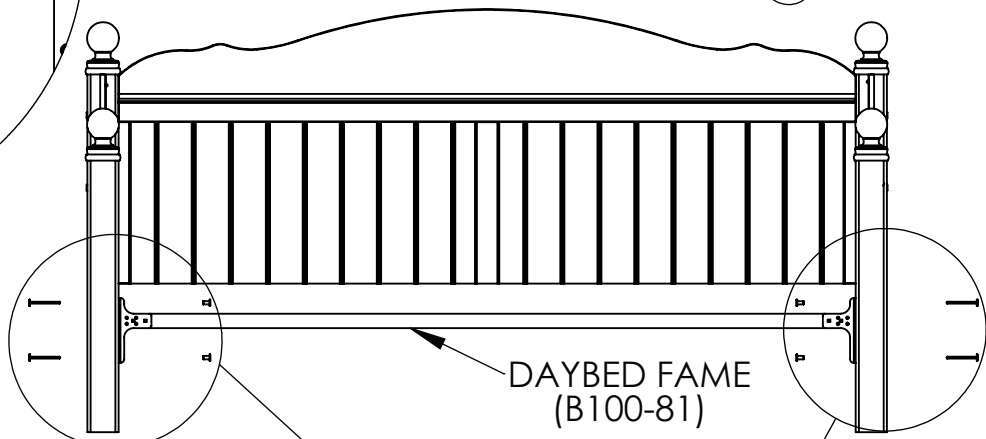
Cad/Eng

1.



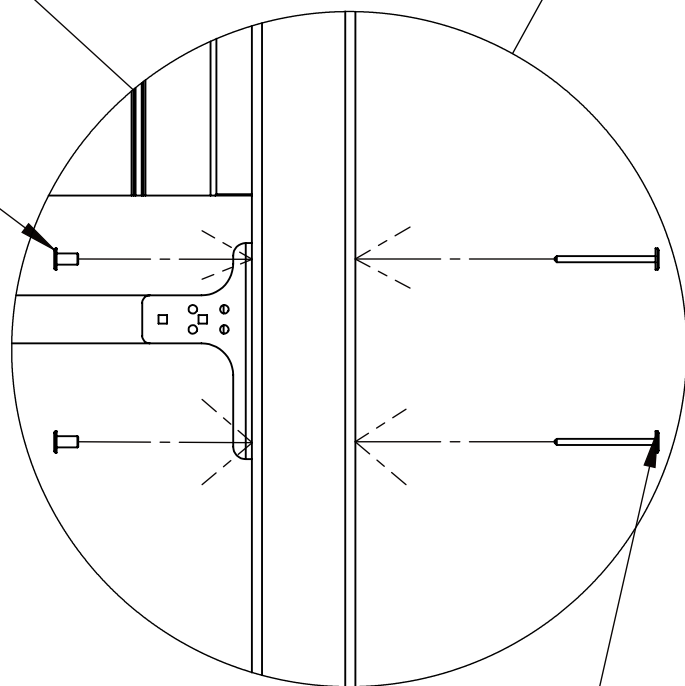
X4 - 1/4-20 X 120mm

2.

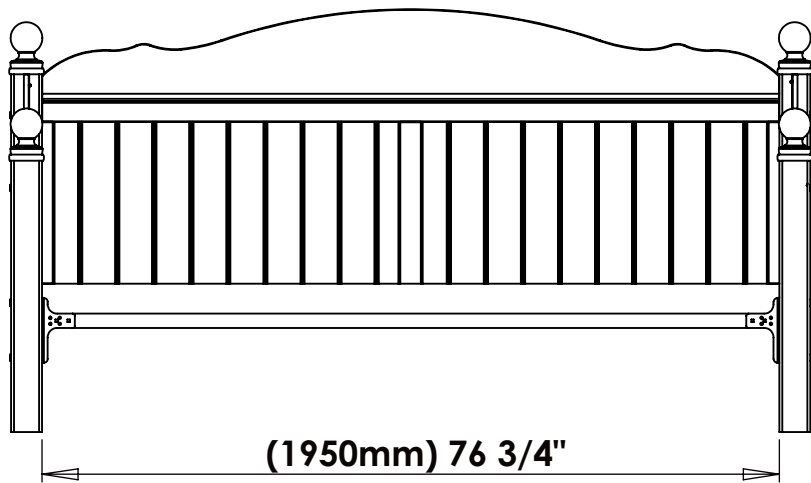


DAYBED FRAME
(B100-81)

X8 - 1/4-20
(CAP NUT)



X8 - 1/4-20 X 80mm



(1950mm) 76 3/4"

1 - 1