

**COASTER**®  
*Fine Furniture*

**300143**

**Brown PU Coating Sofa Bed**

**ASSEMBLY INSTRUCTION**  
**COASTER FINE FURNITURE**



**[www.coastercompany.com](http://www.coastercompany.com)**

# Assembly Instruction

**ASSEMBLY TIPS:**

- 1.Remove hardware from box and sort by size.
- 2.Please check to see that all hardware and parts are present prior start of assembly.
- 3.Please follow attached instructions in the same sequence as numbered to assure fast & easy assembly.


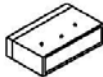
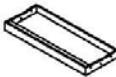











**Warning !**

1. Don't attempt to repair or modify parts that are broken or defective. Please contact the store immediately.
2. This product is for home use only and not intended for commercial establishment.

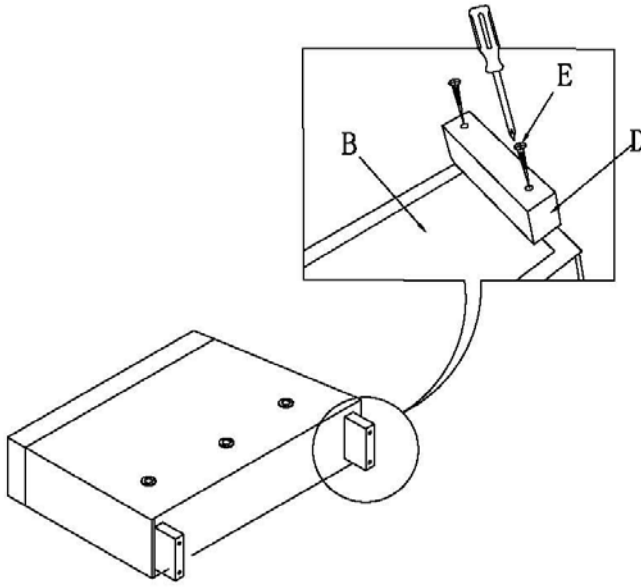
**PARTS IDENTIFICATION:**

**HARDWARE PACKAGE:**

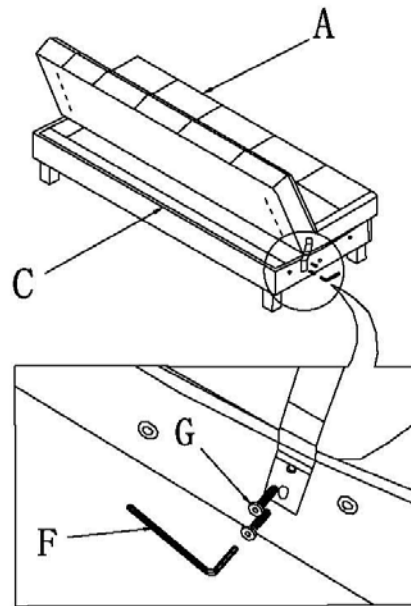
- A. Seater  1PC
- B. Arm  2PCS
- C. Storage  1PC
- D. Wood leg  4PCS

NO	DESCRIPTION	FIGURE	QTY
E	Screw (M3*50mm)		8PCS
F	Allen key (M6)		1PC
G	Bolt (M8*30mm)		4PCS
H	Threaded rod (M8*85mm)		6PCS
I	Wrench		1PC
J	Hexagonal nut (M8)		6PCS
K	Flat washer (M8)		6PCS
L	Spring washer (M8)		6PCS

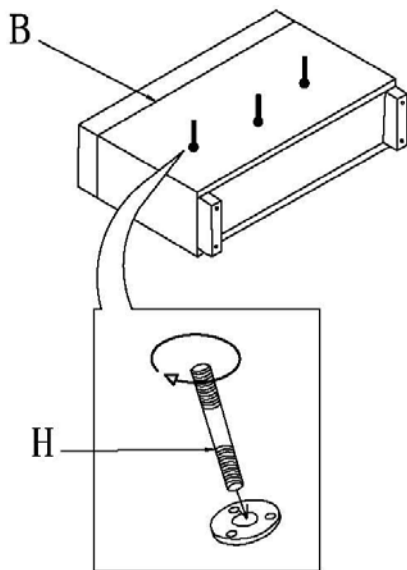
STEP:1



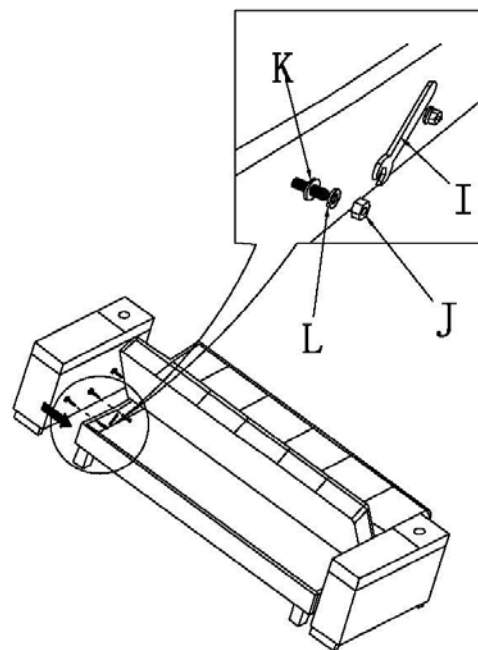
STEP:2



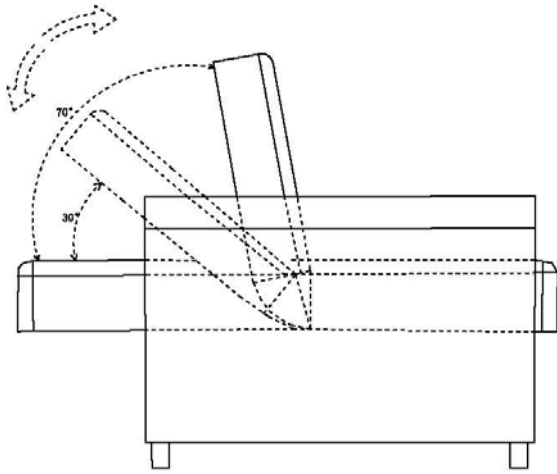
STEP:3



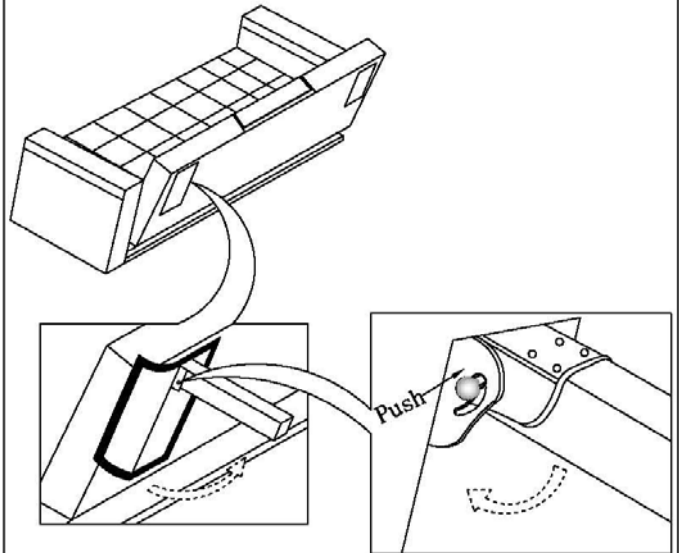
STEP:4



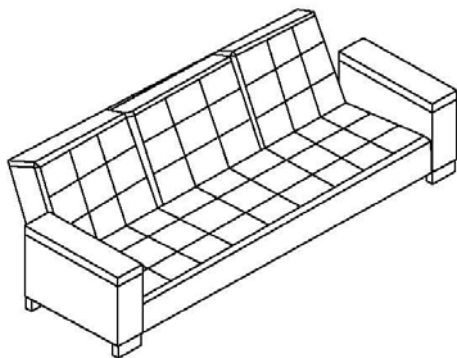
STEP:5



STEP:6



STEP:7



STEP:FULL

