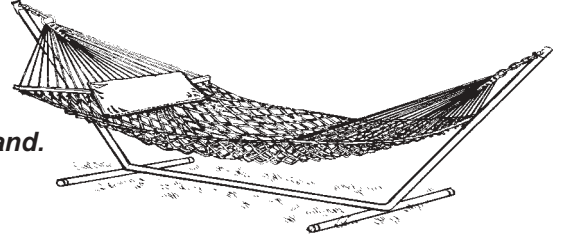


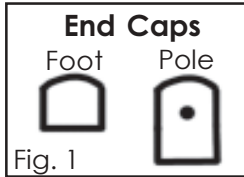
Large Tri-Beam® Hammock Stand

Congratulations on your purchase of the Large Tri-Beam® Hammock Stand. We believe that you will find it a product of unsurpassed quality and durability



Hardware Included:

- 3 - Poles
- 2 - Foot Brackets
- 2 - Pole End Caps
- 4 - Foot End Caps
- 2 - "S" Hooks



On the lawn, deck, or poolside, this large hammock stand creates an air of luxury and style while offering versatility of location.

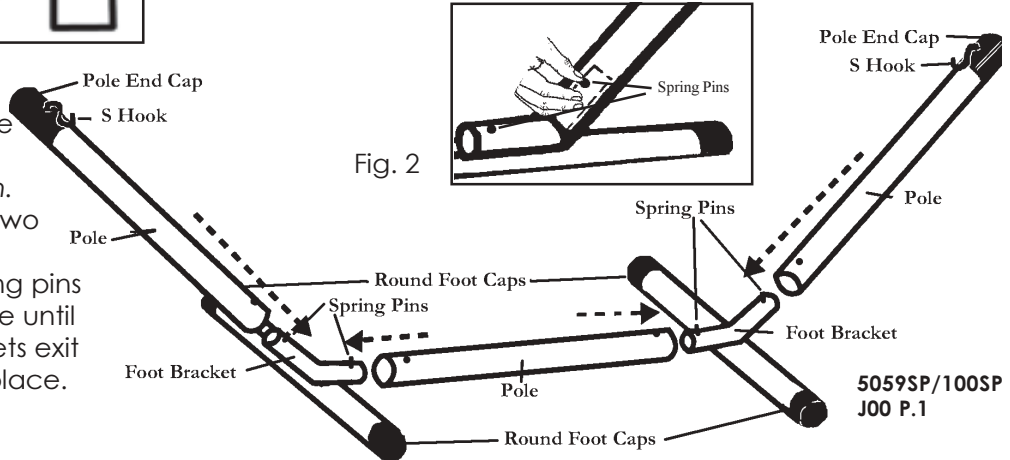
Assembly:

1. Place the foot end caps on the foot brackets.

See Fig. 1 for proper cap selection.

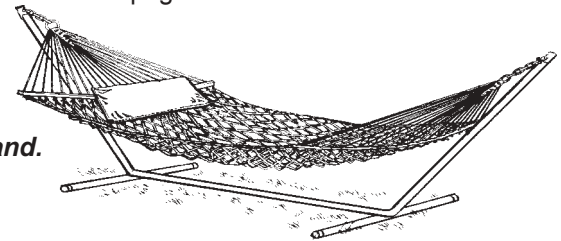
2. Place one pole between the two foot brackets and insert the foot brackets. Push down on the spring pins while pushing the poles into place until the spring pins on the foot brackets exit through the holes and lock into place.

See Fig 2.



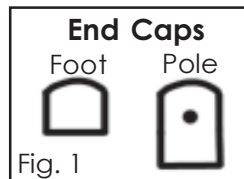
Large Tri-Beam® Hammock Stand

Congratulations on your purchase of the Large Tri-Beam® Hammock Stand. We believe that you will find it a product of unsurpassed quality and durability



Hardware Included:

- 3 - Poles
- 2 - Foot Brackets
- 2 - Pole End Caps
- 4 - Foot End Caps
- 2 - "S" Hooks



On the lawn, deck, or poolside, this large hammock stand creates an air of luxury and style while offering versatility of location.

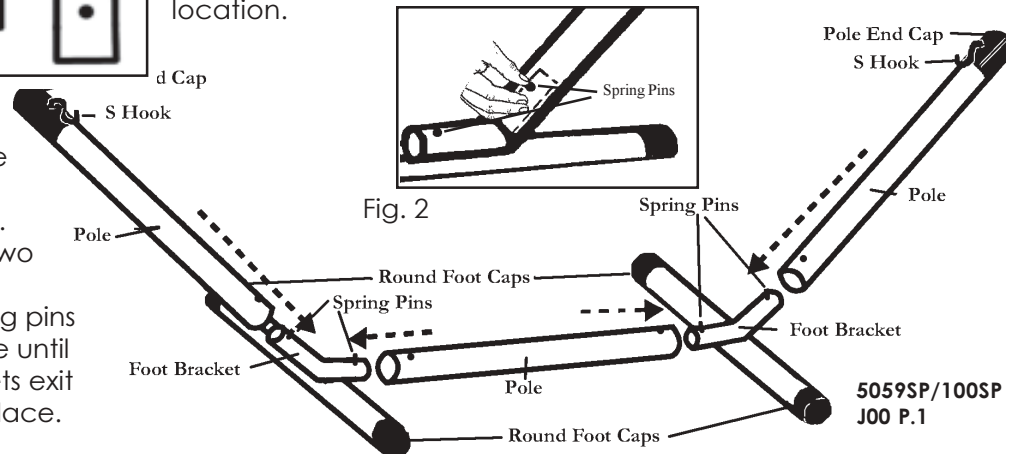
Assembly:

1. Place the foot end caps on the foot brackets.

See Fig. 1 for proper cap selection.

2. Place one pole between the two foot brackets and insert the foot brackets. Push down on the spring pins while pushing the poles into place until the spring pins on the foot brackets exit through the holes and lock into place.

See Fig 2.



3. Arrange the remaining two poles at each end. Push down on the spring pins while pushing the poles into place until the spring pins on the foot brackets exit through the holes and lock into place.

4. Place the pole end caps (w/holes) on the end poles aligning the holes prior to pressing them down on the pole.

5. Insert the "S" hooks at each end cap. This is done by inserting the hook perpendicular to the pole and turning it to align with the pole.

6. Using the chain provided with your hammock, hang your hammock tightly on the "S" hooks and sit into the hammock slowly. Your hammock will stretch and you may experience "bottoming-out" initially. **Take extreme care when sitting in the hammock for the first time.** Once this initial stretching occurs, you will want to tighten the hammock chains. Repeat this until a comfortable height is reached; **always using care when sitting in an untightened hammock.**

WARNING: DO NOT EXCEED LOAD LIMIT OF 600 LBS.

Stands should be examined periodically to ensure that:

- Each welded joint is fully intact.
- There are no missing caps (rust protection).
- There is no excessive rust.

5059SP/100SP
J00 P.2

3. Arrange the remaining two poles at each end. Push down on the spring pins while pushing the poles into place until the spring pins on the foot brackets exit through the holes and lock into place.

4. Place the pole end caps (w/holes) on the end poles aligning the holes prior to pressing them down on the pole.

5. Insert the "S" hooks at each end cap. This is done by inserting the hook perpendicular to the pole and turning it to align with the pole.

6. Using the chain provided with your hammock, hang your hammock tightly on the "S" hooks and sit into the hammock slowly. Your hammock will stretch and you may experience "bottoming-out" initially. **Take extreme care when sitting in the hammock for the first time.** Once this initial stretching occurs, you will want to tighten the hammock chains. Repeat this until a comfortable height is reached; **always using care when sitting in an untightened hammock.**

WARNING: DO NOT EXCEED LOAD LIMIT OF 600 LBS.

Stands should be examined periodically to ensure that:

- Each welded joint is fully intact.
- There are no missing caps (rust protection).
- There is no excessive rust.

5059SP/100SP
J00 P.2

CAUTION!

CAUTION!

- **Do not drag or pull your hammock stand when moving or adjusting.**
- **ALWAYS lift from both ends.**
- **If a wheel kit, purchased separately, is installed, you may lift and move from the opposite end from the wheels.**
- **NEVER drag or pull your hammock stand even when wheels are installed.**
- **After any moving or adjusting of your hammock stand, ALWAYS inspect to make sure the spring pins are properly inserted. Failure to do so may result in the hammock stand collapsing upon use.**

WARRANTY INFORMATION:

Products of The HammockSource are guaranteed to be free of defects in workmanship and materials for up to one year after the purchase date. Prolonged exposure to weather conditions including snow, rain, and humidity are not covered under the warranty nor is damage caused by normal wear, mildew, improper care including storage, maintenance, and installation. If an item is found to be defective within one year of its purchase, it will be replaced without charge upon the return of the unit accompanied by a sales receipt. A Return Authorization is needed for return and may be obtained by contacting 800.334.1078.

CAUTION!

CAUTION!

- **Do not drag or pull your hammock stand when moving or adjusting.**
- **ALWAYS lift from both ends.**
- **If a wheel kit, purchased separately, is installed, you may lift and move from the opposite end from the wheels.**
- **NEVER drag or pull your hammock stand even when wheels are installed.**
- **After any moving or adjusting of your hammock stand, ALWAYS inspect to make sure the spring pins are properly inserted. Failure to do so may result in the hammock stand collapsing upon use.**

WARRANTY INFORMATION:

Products of The HammockSource are guaranteed to be free of defects in workmanship and materials for up to one year after the purchase date. Prolonged exposure to weather conditions including snow, rain, and humidity are not covered under the warranty nor is damage caused by normal wear, mildew, improper care including storage, maintenance, and installation. If an item is found to be defective within one year of its purchase, it will be replaced without charge upon the return of the unit accompanied by a sales receipt. A Return Authorization is needed for return and may be obtained by contacting 800.334.1078.