



Water is Our Business®

293 Wright Street, Delavan, WI 53115

Phone: 800-365-6832

Fax: 800-526-3757

www.flotecwater.com

OWNER'S MANUAL

**INTELLIPUMP™ Submersible  
Utility Pump**

---

NOTICE D'UTILISATION

**INTELLIPUMP™<sup>MD</sup> Pompe utilité  
submersibles**

---

MANUAL DEL USUARIO

**INTELLIPUMP™<sup>MR</sup> Bomba  
submergibles de uso general**

---



**FP0S1775A**

**Installation/Operation/Parts**

*For further operating, installation, or  
maintenance assistance:*

**Call 800-365-6832**

**English ..... Pages 2-5**

**Installation/Fonctionnement/Pièces**

*Pour plus de renseignements  
concernant l'utilisation,  
l'installation ou l'entretien,*

**Composer le (800) 365-6832**

**Français ..... Pages 6-9**

**Instalación/Operación/Piezas**

*Para mayor información sobre el fun-  
cionamiento, instalación o manten-  
imiento de la bomba:*

**Llame al 800-365-6832**

**Español..... Páginas 10-13**

## Important Safety Instructions

SAVE THESE INSTRUCTIONS - This manual contains important instructions that should be followed during installation, operation, and maintenance of the product.

**▲** This is the safety alert symbol. When you see this symbol on your pump or in this manual, look for one of the following signal words and be alert to the potential for personal injury!

**▲ DANGER** indicates a hazard which, if not avoided, *will* result in death or serious injury.

**▲ WARNING** indicates a hazard which, if not avoided, *could* result in death or serious injury.

**▲ CAUTION** indicates a hazard which, if not avoided, *could* result in minor or moderate injury.

**NOTICE** addresses practices not related to personal injury.

**Carefully read and follow all safety instructions in this manual and on pump.**

Keep safety labels in good condition. Replace missing or damaged safety labels.

### California Proposition 65 Warning

**▲ WARNING** This product and related accessories contain chemicals known to the State of California to cause cancer, birth defects or other reproductive harm.

1. Know the pump application, limitations, and potential hazards.

**▲ WARNING Risk of explosion.** Do not ground to a gas supply line. Do not use in explosive atmospheres. Pump water only with this pump. Failure to follow this warning can result in personal injury and/or property damage.

2. Make certain power source conforms to requirements of your equipment.
3. Disconnect power before servicing.
4. Release all pressure within system before servicing any component.
5. Drain all water from system before servicing.
6. Secure discharge line before starting pump. An unsecured discharge line will whip, possibly causing personal injury and/or property damage.
7. Check hoses for weak or worn condition before each use, making certain all connections are secure.
8. Periodically inspect pump and system components. Keep pump and system free of debris and foreign objects. Perform routine maintenance as required.
9. Provide means of pressure relief on pumps whose discharge line can be shut-off or obstructed.
10. Personal Safety:
  - a. Wear safety glasses at all times when working with pumps.
  - b. Keep work area clean, uncluttered and properly lighted – replace all unused tools and equipment.
  - c. Keep visitors at a safe distance from the work area.
  - d. Make workshop child-proof – with padlocks,

master switches, and by removing starter keys.

11. When wiring an electrically driven pump, follow all electrical and safety codes, as well as most recent National Electrical Code (NEC) and Occupational Safety and Health Act (OSHA).

**▲ WARNING Risk of sudden starts.** Can cause electrical shock and personal injury.

12. **▲ WARNING Risk of electric shock.** Can shock, burn or kill. This equipment is only for use on 115 volt (single phase) and is equipped with an approved 3-conductor cord and 3-prong, grounding-type plug.

To reduce risk of electric shock, be certain that it is connected to properly grounded, grounding-type receptacle.

Where a 2-prong wall receptacle is encountered, it must be replaced with properly grounded 3-prong receptacle installed in accordance with the National Electrical Code and local codes and ordinances.

13. All wiring should be performed by a qualified electrician.
14. Protect electrical cord from sharp objects, hot surfaces, oil, and chemicals. Avoid kinking cord. Replace or repair damaged or worn cords immediately.
15. Use wire of adequate size to minimize voltage drop at motor. Refer to most recent National Electrical Code.
16. Do not touch an operating motor. Modern motors can operate at high temperatures.
17. **The oil-filled motor was not designed for use in water containing fish. Do not use this pump in water with fish present.**

## Specifications

Power supply required ..... 115V, 60 HZ.  
 Liquid Temp. Range ..... Max. 77°F (25°C)  
 Operation Position ..... Vertical  
 Individual Branch Circuit Required ..... 15 Amp  
 Operating Depth Beginning min ..... 3/4"  
 (water level) Ending max..... 1/4"  
 Discharge ..... 1" NPT (25 mm)  
 Pump water only with this pump.

**NOTICE** This unit is not designed as a waterfall or fountain pump, or for applications involving salt water or brine! Use with waterfalls, fountains, salt water or brine will void warranty. Do not use where water recirculates. Not designed for use as a swimming pool drainer.

**NOTICE** This unit is not designed for applications involving salt water or brine! Use with salt water or brine will void warranty.

## PERFORMANCE

GPH (LPH) At Total Feet (M)						
3' (0.91)	5' (1.52)	10' (3.05)	15' (4.57)	18' (5.49)	20' (6.09)	22' (6.70)
1600 gal(6058 L)	1524 gal(5769 L)	1260 gal(4770 L)	924 gal(3498 L)	648 gal(2453 L)	372 gal(1408 L)	0 gal(0 L)

## Installation

**⚠️ WARNING Risk of electric shock.** Can shock, burn or kill. Do not use power cord to lift motor. Always use handle.

1. Pump should be located and should rest on level solid foundation. Do not suspend pump by means of discharge pipe or power cord. Keep pump inlet screen clear.
2. Thread outlet pipe into pump body carefully to avoid stripping or crossing threads.
  - a. To install with garden hose, install adapter provided with pump.  
**NOTICE** To keep friction as low as possible, hose must be 5/8" or larger. Keep hose as short as possible.
  - b. To install with rigid pipe, use plastic pipe. Wrap thread with PTFE pipe thread sealant tape  
. Screw pipe into pump hand tight +1 - 1-1/2 turns.
3. If, in your application, backflow is a problem when the pump stops, prevent it by installing a 1" NPT check valve in the pump discharge.
4. Power Supply: Pump is designed for 115V., 60 HZ. operation and requires an individual branch circuit of 15 amperes or more capacity. It is supplied with a 3-wire cord set with grounding-type plug for use in a 3-wire, grounded outlet. 3 wire extension cord, of at least 14 AWG (2mm<sup>2</sup>) size is suggested, with larger sizes for runs over 25 ft (7M). For safety, pump should always be electrically grounded to a suitable electrical ground such as a grounded water pipe or a properly grounded metallic raceway, or ground wire system. Do not cut off the round grounding prong.

**⚠️ WARNING Risk of sudden starts.** Can cause electrical shock and personal injury. The pump motor is equipped with automatic resetting thermal protector and may restart unexpectedly. Protector tripping is indication of motor overloading as a result of operating pump at high pressure, excessively high or low voltage, inadequate wiring, incorrect motor connections, or a defective motor or pump.

## Operation

**⚠️ WARNING Risk of electric shock.** Can shock, burn or kill. Do not handle pump or pump motor with wet hands or when standing on wet or damp surface, or in water. Disconnect power from pump before handling, servicing, or attempting to repair pump.

The INTELLIPUMP™ is fully automatic in operation. The "smart" controller starts the pump every 2-1/2 minutes and causes it to run for 5 seconds. If it senses that there is no water to the pump, it stops. If it senses water, it continues to run until the water is pumped down to 1/4" deep, and then it stops. It then goes into a 7-minute quick-detection cycle, starting 4 times the first minute, twice the second minute, and once a minute for the next 5 minutes. If by the last check it has not detected water, it resumes its cycle (running 5 seconds every 2-1/2 minutes) until it senses water again.

**NOTICE** When you plug the pump into the wall outlet, it will start and run for 5 seconds. It will then cycle as described above.

If the unit is put in the water and started, interrupting the water flow into the pump during the 5-second water-sensing run will cause it to wait 2-1/2 minutes before restarting.

1. The motor is equipped with an automatically resetting thermal overload protector. If the motor gets too hot, the overload protector will stop the motor before it is damaged. When the motor has cooled sufficiently, the overload protector will reset itself and the motor will restart.

**NOTICE** If the overload protector stops the pump repeatedly, disconnect the power from the pump and check it to find the problem. Low voltage, long extension cords, clogged impeller, too much back pressure in the discharge hose (as when pumping through 50' (15 M) of coiled hose), or extended running of pump with no load, can all cause overheating.

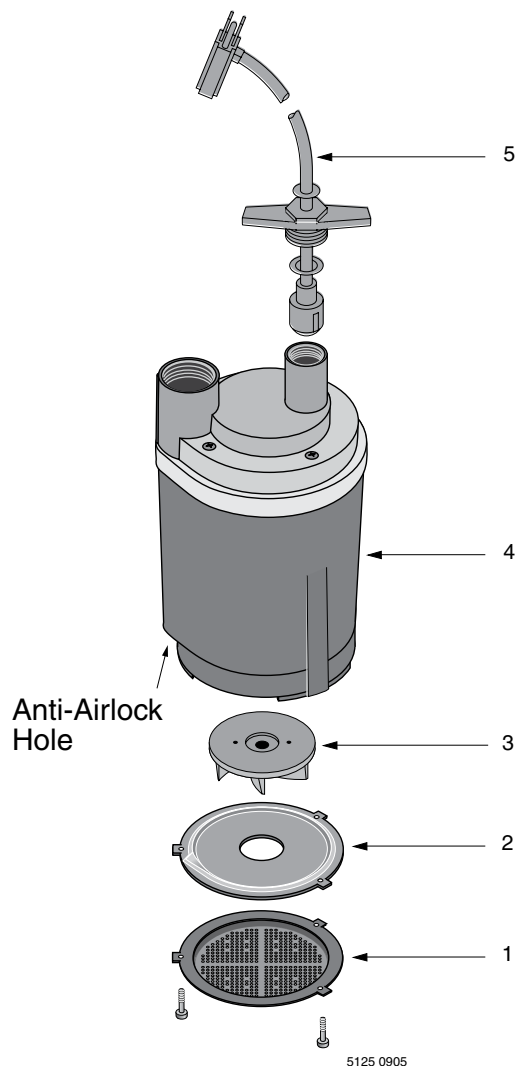
2. The water being pumped cools the motor, allowing the pump to run continuously at any depth of water above 1/4". However, if the motor overload stops the pump, allow it to cool for one hour before restarting. Motor will not restart before the overload has cooled.

## Airlocks

When a pump airlocks, it runs but does not move any water. An airlock will cause the pump to overheat and fail. This pump has an anti-airlock hole in the bottom of the pump body. If you suspect an airlock, unplug the pump, clean out the anti-airlock hole with a paper clip or piece of wire, and restart the pump.

**NOTICE** If the outlet of the discharge hose/pipe is submerged you must have a 1/8" hole in the discharge hose/pipe to prevent airlock. This hole must be open to air.

**NOTICE** If you move the pump or the pump airlocks, be sure to drain the hose before trying to restart the pump.

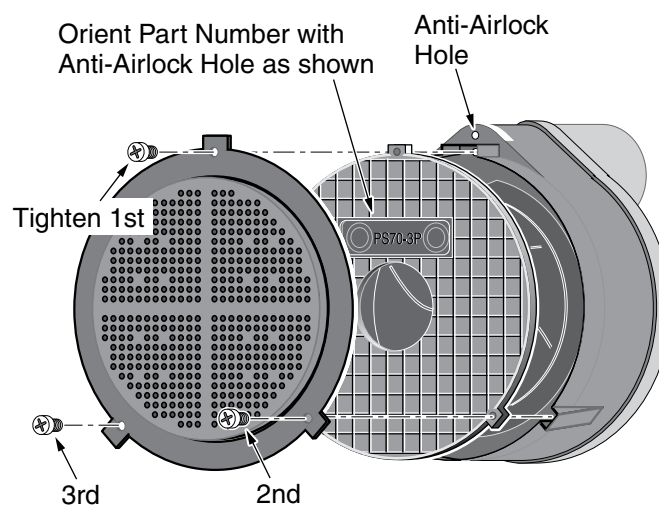


## REPAIR PARTS

Ref	Descriptopn	Qty.	Part No
1	Screen	1	PS8-6P
2	Shield	1	PS70-3P
3	Impeller	1	PS5-25P
4	Motor	1	**
5	Power Cord	1	PS117-51-TSU
•	Garden Hose Adapter	1	FT0013-43

**NOTICE** To purchase a check valve, call Customer Service at 800-365-6832 and order part number PW73-63.

\*\* If motor fails, replace entire pump. • Not Illustrated.



**Assemble Screen and Shield as shown.**

## Troubleshooting

**⚠ WARNING** Risk of electric shock and sudden start. Can shock, burn or kill and can cause electrical shock and personal injury. Disconnect electrical power to pump before attempting to troubleshoot or work on it.

Symptom	Possible Cause(s)	Corrective Action
Pump won't start or run from main switch on property	Blown fuse	If blown, replace with fuse of proper size.
	Low line	If voltage under recommended minimum, check size of wiring. If OK, contact power company.
	Defective motor	Replace pump.
	Impeller	Remove screen, locate source of binding.
Pump operates but delivers little or no water	Low line voltage	Use only 14 gauge or larger extension cords. Use short extension cords when necessary.
	Something caught in impeller	Clean out impeller.
	Small diameter garden hose or long discharge line	Use larger diameter garden hose or 1" flexible pipe. Eliminate any excess hose. Short hoses work best.
	Check valve installed without vent hole	Drill a 1/16" - 1/8" (1.6 - 3.2 mm) dia. hole between pump discharge & check valve.
	Air lock	Turn off pump for a few seconds, clean out anti-airlock hole and restart pump.
	Coils or bends in hose	Straighten hose.

**For parts or assistance, call Flotec Customer Service at 800-365-6832**

**Retain Original Receipt For Warranty Eligibility**

**Limited Warranty**

This Limited Warranty is effective June 1, 2011 and replaces all undated warranties and warranties dated before June 1, 2011. FLOTEC warrants to the original consumer purchaser (“Purchaser” or “You”) that its products are free from defects in material and workmanship for a period of twelve (12) months from the date of the original consumer purchase. If, within twelve (12) months from the original consumer purchase, any such product shall prove to be defective, it shall be repaired or replaced at FLOTEC’s option, subject to the terms and conditions set forth herein. Note that this limited warranty applies to manufacturing defects only and not to ordinary wear and tear. All mechanical devices need periodic parts and service to perform well. This limited warranty does not cover repair when normal use has exhausted the life of a part or the equipment.

The original purchase receipt and product warranty information label are required to determine warranty eligibility. Eligibility is based on purchase date of original product – not the date of replacement under warranty. The warranty is limited to repair or replacement of original purchased product only, not replacement product (i.e. one warranty replacement allowed per purchase). Purchaser pays all removal, installation, labor, shipping, and incidental charges.

For parts or troubleshooting assistance, DO NOT return product to your retail store - contact FLOTEC Customer Service at 1-800-365-6832.

Claims made under this warranty shall be made by returning the product (except sewage pumps, see below) to the retail outlet where it was purchased or to the factory immediately after the discovery of any alleged defect. FLOTEC will subsequently take corrective action as promptly as reasonably possible. No requests for service will be accepted if received more than 30 days after the warranty expires. Warranty is not transferable and does not apply to products used in commercial/rental applications.

**Sewage Pumps**

DO NOT return a sewage pump (that has been installed) to your retail store. Contact FLOTEC Customer Service. Sewage pumps that have seen service and been removed carry a contamination hazard with them.

If your sewage pump has failed:

- Wear rubber gloves when handling the pump;
- For warranty purposes, return the pump’s cord tag and original receipt of purchase to the retail store;
- Dispose of the pump according to local disposal ordinances.

**Exceptions to the Twelve (12) Month Limited Warranty**

Product	Warranty Period
FP0F360AC, FP0FDC	90 days
FP0S1775A, FP0S1790PCA, FP0S2400A, FP0S2450A, FP0S4100X, FP2800DCC, FPCP-20ULST, FPPSS3000, FPSC2150A, FPSC3150A, FPSC3350A	2 Years
4” Submersible Well Pumps, FP0S3200A, FP0S3250A, FP0S6000A, FPSC1725X, FPSC2200A, FPSC2250A, FPSE3601A, FPPSS5000	3 Years
FP7100 Series Pressure Tanks, E100ELT, E3305TLT, E3375TLT, E5005TLTT, E50TLT, E50VLT, E75STVT, E75VLT, FPSC3200A, FPSC3250A, FPSC4550A	5 Years

**General Terms and Conditions; Limitation of Remedies**

You must pay all labor and shipping charges necessary to replace product covered by this warranty. This warranty does not apply to the following: (1) acts of God; (2) products which, in FLOTEC’s sole judgment, have been subject to negligence, abuse, accident, misapplication, tampering, or alteration; (3) failures due to improper installation, operation, maintenance or storage; (4) atypical or unapproved application, use or service; (5) failures caused by corrosion, rust or other foreign materials in the system, or operation at pressures in excess of recommended maximums.

This warranty sets forth FLOTEC’s sole obligation and purchaser’s exclusive remedy for defective products.


FLOTEC SHALL NOT BE LIABLE FOR ANY CONSEQUENTIAL, INCIDENTAL, OR CONTINGENT DAMAGES WHATSOEVER. THE FOREGOING LIMITED WARRANTIES ARE EXCLUSIVE AND IN LIEU OF ALL OTHER EXPRESS AND IMPLIED WARRANTIES, INCLUDING BUT NOT LIMITED TO IMPLIED WARRANTIES OF MERCHANTABILITY AND FITNESS FOR A PARTICULAR PURPOSE. THE FOREGOING LIMITED WARRANTIES SHALL NOT EXTEND BEYOND THE DURATION PROVIDED HEREIN.


Some states do not allow the exclusion or limitation of incidental or consequential damages or limitations on how long an implied warranty lasts, so the above limitations or exclusions may not apply to You. This warranty gives You specific legal rights and You may also have other rights which vary from state to state.


**FLOTEC • 293 Wright Street • Delavan, WI U.S.A. 53115**  
**Phone: 800-365-6832 • Fax: 800-526-3757 • www.flotecwater.com**

## Directives de sécurité importantes

**Conservez ces directives** – Ce manuel renferme d'importantes directives qu'il faut suivre durant l'installation et l'entretien de la pompe.

Ce symbole  indique qu'il faut être prudent. Lorsque ce symbole apparaît sur la pompe ou dans cette Notice, rechercher une des mises en garde qui suivent, car elles indiquent un potentiel de blessures corporelles!

Le mot signal  indique un danger qui, s'il n'est pas évité, *causera* la mort ou des blessures graves.

Le mot signal  indique un risque qui, s'il n'est pas évité, *pourrait causer* la mort ou des blessures graves.


Le mot signal  indique un risque qui, s'il n'est pas évité, *pourrait causer* des blessures mineures ou modérées.

Le mot **AVIS** est utilisé pour les pratiques qui ne sont pas reliées aux blessures personnelles.


Lire attentivement toutes les consignes de sécurité contenues dans cette Notice ou collées sur la pompe.

Garder les autocollants de sécurité en bon état; les remplacer s'ils manquent ou s'ils ont été endommagés.

### Avertissement lié à la Proposition 65 de la Californie

 Ce produit et les accessoires connexes contiennent des produits chimiques reconnus dans l'État de la Californie comme pouvant provoquer des cancers, des anomalies congénitales ou d'autres dangers relatifs à la reproduction.


1. Connaître les applications, limitations et dangers éventuels de la pompe.


 **Risque de démarrages brusques.** Pouvant causer des secousses électriques et des blessures corporelles. Ne pas utiliser dans un environnement explosif. N'utiliser la pompe que pour pomper de l'eau. Ignorer cet avertissement peut provoquer des blessures corporelles et/ou des dommages matériels.

2. Veiller à ce que la source d'alimentation électrique est conforme aux exigences de votre équipement.
3. Débrancher l'alimentation en courant avant de passer à l'entretien.
4. Relâcher toute la pression existant à l'intérieur du système avant de passer à l'entretien de tout élément de la pompe.
5. Evacuer toute l'eau du système avant d'effectuer tout entretien.
6. Fixer la voie de déversement avant de mettre la pompe en marche. Une voie de déversement mal fixée se mettra à fouetter causant éventuellement des blessures corporelles et/ou des dommages matériels.
7. Avant chaque utilisation, vérifier que les tuyaux ne sont pas faibles ou usés, en s'assurant que tous les raccords sont fixés.
8. Périodiquement, inspecter la pompe et tous les éléments de l'ensemble. Procéder à un entretien périodique selon le besoin.
9. Permettre que la pression exercée sur les pompes soit libérée afin d'éviter que les voies de déversement ne se ferment ou s'obstruent.
10. Sécurité personnelle:
  - a. Porter des lunettes protectrices à tout moment pendant le maniement de la pompe.
  - b. Maintenir la zone de travail propre, en ordre et correctement éclairée. Ranger tous les outils et matériels non utilisés.

- c. Maintenir les visiteurs à une distance prudente de la zone de travail.
- d. Veiller à ce que les enfants soient écartés des dangers de l'atelier: avec des cadenas et des interrupteurs maîtres, et en ôtant les clés de démarrage.

11. Pendant le câblage d'une pompe à fonctionnement électrique, suivre tous les codes de sécurité et d'électricité, ainsi que le dernier code électrique national en vigueur et l'acte relatif à la sécurité et la santé en milieu de travail, le cas échéant (OSHA).

 **Risque de démarrages brusques.** Pouvant causer des secousses électriques et des blessures corporelles. Le moteur de la pompe est équipé d'un protecteur thermique à remise en marche automatique qui peut se mettre en route brusquement.

12.  **Risque de secousses électriques.** Pouvant causer des brûlures, voire la mort. Ce matériel ne doit être utilisé que sur du 115 volts (monophasé) et il est équipé d'un câble conducteur à 3 dents approuvé et d'une prise à 3 dents à masse.

Pour réduire les risques d'électrocution, veiller à ce qu'il soit correctement relié à un réceptacle à la masse.

Dans le cas où un réceptacle à 2 dents est en place, il doit être remplacé par un réceptacle à 3 dents à la masse monté conformément au code électrique national et aux arrêtés locaux.

13. Le câblage devrait être exécuté par un électricien qualifié.
14. Mettre le câble électrique à l'abri d'objets tranchants, surfaces chaudes, huile et produits chimiques. Éviter qu'il ne soit tortillé. Remplacer ou réparer immédiatement les câbles endommagés ou usés.
15. Utiliser des câbles de taille appropriée pour minimiser les baisses de tension du moteur. Se référer au code électrique national.
16. Ne pas toucher un moteur en marche. Les moteurs peuvent fonctionner par les températures élevées.
17. **Le moteur rempli d'huile n'est pas conçu pour être utilisé dans des eaux contenant des poissons. Ne pas utiliser cette pompe dans une eau contenant des poissons.**

## Caractéristiques techniques

Alimentation requise ..... 115V, 60HZ  
 Température du liquide (gamme) ..... Max. 25°C (77°F)  
 Position en marche..... Verticale  
 Circuit de dérivation individuel requis ..... 15 amp.  
 Profondeur durant fonctionnement  
     Début min. .... 19,1mm (3/4")  
     (niveau d'eau)      Fin max..... 6,4mm (1/4")  
 Déversement ..... 1" NPT  
 Ne pomper que de l'eau avec cette pompe.

**AVIS** Cette pompe n'est pas conçue pour être utilisée en tant que pompe de fontaine ou de chute d'eau ni dans des eaux salées ou de saumure! Son utilisation avec une chute d'eau, une fontaine, de l'eau salée ou de saumure annulera la garantie.

Ne pas utiliser où de l'eau recircule.

Cette pompe n'est pas conçue pour vider les piscines.

**AVIS** Cette pompe n'est pas conçue pour pomper de l'eau salée ni de la saumure! La garantie sera annulée si cette pompe est utilisée pour pomper de l'eau salée ou de la saumure.

## Rendement

LPH (GPH) à un nombre total de mètres (pieds)						
0,91 (3')	1,52 (5')	3,05 (10')	4,57 (15')	5,49 (18')	6,09 (20')	6,70 (22')
6 057 L (1600 gal)	5 769 L (1524 gal)	4 770 L (1260 gal)	3 498 L (924 gal)	2 453 L (648 gal)	1 408 L (372 gal)	0 L (0 gal)

## Montage

**⚠ AVERTISSEMENT** **Risque de secousses électriques.** Pouvant causer des brûlures, voire la mort. Ne pas utiliser le câble d'alimentation pour lever le moteur. Toujours faire usage des poignées.

1. La pompe devrait être placée, et reposer, sur une base solide et équilibrée. Ne pas suspendre la pompe par le conduit de déversement ou le câble d'alimentation. Maintenir le filtre à l'admission propre.
2. Visser soigneusement le conduit de sortie sur le corps de la pompe soigneusement pour éviter d'arracher ou de fausser les filets.
  - a. Pour la pose avec un tuyau d'arrosage, poser l'adaptateur fourni avec la pompe.  
**AVIS** Pour garder le frottement au minimum, le diamètre du tuyau doit être de 5/8 de pouce au minimum et aussi court que possible.
  - b. Pour l'équiper d'un tuyau rigide, utiliser un conduit en plastique. Recouvrir les filets de ruban ruban d'étanchéité en PTFE pour filetage. Visser manuellement le conduit sur la pompe de +1 -1,5 tour.
3. Si, en fonction de l'utilisation, le refoulement représente un problème lorsque la pompe s'arrête, poser un clapet antiretour de 1 pouce NPT côté refoulement de la pompe.
4. Source d'alimentation: La pompe est conçue pour du 115V et 60HZ et requiert un circuit de dérivation individuel de 15 ampères ou plus. Elle est fournie avec un câble à 3 fils métalliques et une prise à la masse pour une sortie à la masse à 3 fils. Une rallonge à 3 fils métalliques, d'au moins 2mm<sup>2</sup> (14 AWG) est suggérée, avec une taille supérieure si la longueur doit dépasser 7m (25 pieds). Pour des raisons de sécurité, la pompe doit toujours être mise à la masse à un sol adéquate, avec un conduit d'eau, une canalisation métallique ou un système métallique reliés à la masse. Ne pas couper la dent ronde de mise à la masse.

**⚠ AVERTISSEMENT** **Risque de démarrages brusques.** Pouvant causer des secousses électriques et des blessures corporelles. Le moteur de la pompe est équipé d'un protecteur contre les surcharges thermiques à réenclenchement automatique et il risque de redémarrer inopinément. Le déclenchement du protecteur est une indication que le moteur est surchargé suite à un fonctionnement sous haute pression de la pompe, à une tension excessivement haute ou basse, à un mauvais câblage, à de mauvaises connexions du moteur ou à un moteur ou à une pompe défectueuse.

## Fonctionnement

**⚠ AVERTISSEMENT** **Risque de secousses électriques.** Pouvant causer des brûlures, voire la mort. Ne pas manipuler la pompe ni le moteur lorsqu'on a les mains humides ou lorsqu'on se tient sur une surface humide ou dans l'eau. Couper le courant avant de manipuler la pompe, de l'entretenir ou d'essayer de la réparer.

Le fonctionnement de la pompe INTELLIPUMP<sup>MD</sup> est entièrement automatique. Le contrôleur «intelligent» démarre la pompe toutes les 2-1/2 minutes et la fait fonctionner pendant 5 secondes. Si le contrôleur détecte que la pompe n'aspire pas d'eau, il l'arrêtera. Si le contrôleur détecte de l'eau, il continuera de faire fonctionner la pompe jusqu'à ce que l'eau soit pompée jusqu'à une profondeur de 1/4 de pouce, puis il arrêtera la pompe. La pompe passe ensuite dans un cycle de détection rapide de 7 minutes, qui se répète 4 fois lors de la première minute, deux fois lors de la deuxième minute et une fois par minute pour les 5 prochaines minutes. Si, lors de la dernière vérification, la pompe ne détecte pas d'eau, elle reprend son cycle normal (c'est-à-dire qu'elle fonctionnera 5 secondes toutes les 2 1/2 minutes) jusqu'à ce qu'elle détecte de nouveau de l'eau.

**AVIS** Lorsque la pompe sera branchée dans la prise de courant électrique, elle démarrera et fonctionnera pendant 5 secondes. Le contrôleur fera ensuite fonctionner la pompe comme il est décrit ci-dessus.

Si la pompe est mise dans l'eau, puis qu'on la démarre et qu'ensuite on interrompt le débit dans la pompe pendant son fonctionnement de détection d'eau de 5 secondes, la pompe attendra 2 1/2 minutes avant de redémarrer.

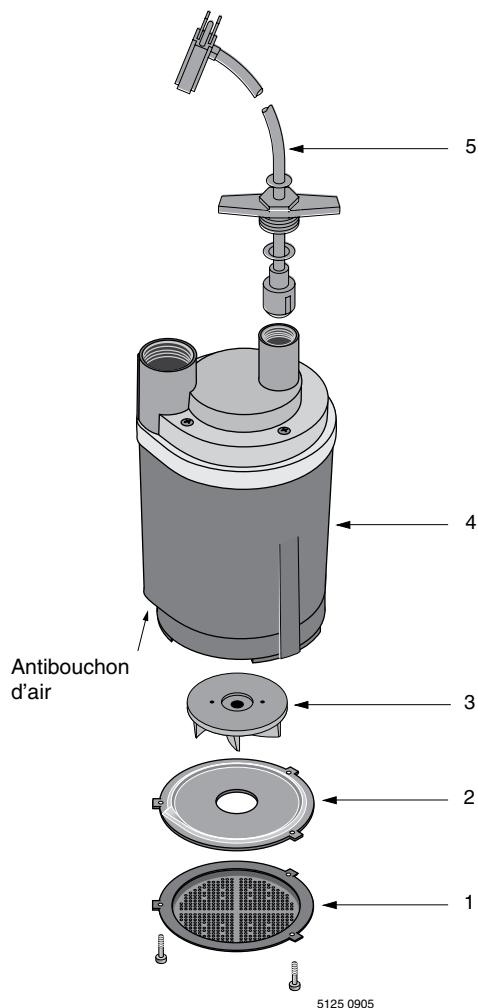
1. Le moteur est équipé d'un protecteur contre les surcharges thermiques à réenclenchement automatique. Si le moteur surchauffe, le protecteur contre les surcharges arrêtera le moteur avant qu'il soit endommagé. Dès que le moteur aura suffisamment refroidi, le protecteur contre les surcharges réenclenchera le moteur qui redémarrera.  
**AVIS** Si le protecteur contre les surcharges arrête la pompe de façon répétitive, débrancher la pompe et déterminer le problème. Une basse tension, des cordons prolongateurs trop longs, un impulseur bouché, une contre-pression trop importante dans le tuyau de refoulement (comme pomper de l'eau dans un tuyau enroulé ayant jusqu'à 50 pieds [15 mètres]) ou un fonctionnement prolongé à vide de la pompe causera une surchauffe.
2. L'eau pompée refroidit le moteur, ce qui permet à la pompe de fonctionner continuellement à condition que la profondeur de l'eau soit supérieure à 1/4 de pouce. Toutefois, si une surcharge du moteur arrête la pompe, le laisser refroidir pendant une heure avant de le redémarrer. Le moteur ne redémarrera pas tant que la surcharge n'aura pas refroidi.

## Bouchon d'air

Si un bouchon d'air se forme dans la pompe, elle fonctionnera mais ne débitera pas d'eau. Un bouchon d'air causera la surchauffe de la pompe, puis sa panne. Un trou antibouchon d'air a été pratiqué à la partie inférieure du corps de cette pompe. Si l'on soupçonne un bouchon d'air, débrancher la pompe, nettoyer le trou antibouchon d'air avec un trombone ou un morceau de fil de fer, puis redémarrer la pompe.

**AVIS** Si la sortie du tuyau rigide ou du tuyau souple de refoulement est immergée, un trou de 1/8 de po devra être percé dans le tuyau rigide ou le tuyau souple de refoulement pour empêcher la formation de bouchons d'air. Ce trou doit toujours être ouvert à l'air libre.

**AVIS** Si la pompe est déplacée ou s'il y a un bouchon d'air dans la pompe, s'assurer de vidanger le tuyau avant de tenter de redémarrer la pompe.

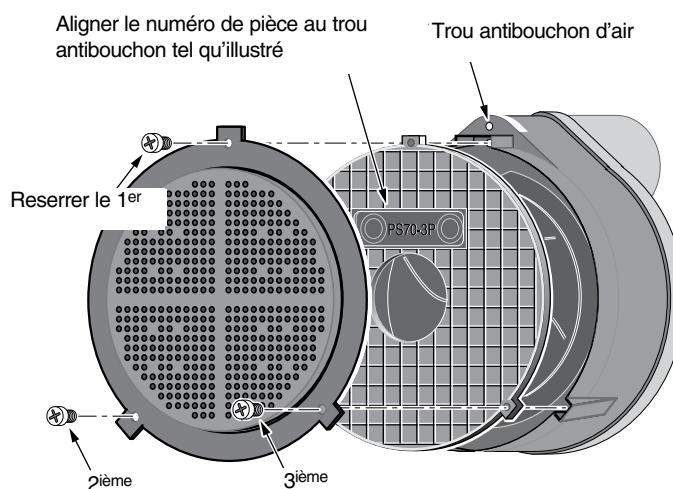


## PIÈCES DE RECHANGE

Réf.	Descriptopn	Qté	N° de pièce
1	Filtre	1	PS8-6P
2	Protecteur	1	PS70-3P
3	Roue hélice	1	PS5-25P
4	Moteur	1	**
5	Câble d'alimentation	1	PS117-51-TSU
•	Adaptateur pour tuyau de jardinage	1	FT0013-43

**AVIS** Pour acheter un clapet antiretour, appeler le service à la clientèle au 1 (800) 365-6832 et commander le numéro de pièce suivant : PW73-63.

\*\* Si le moteur tombe en panne, remplacer la pompe. • Non représenté.



**Assembler le filtre et le protecteur tel qu'illustré.**

## Recherche des pannes

**⚠ AVERTISSEMENT** **Risque de secousses électriques et de démarrages soudains.** Pouvant causer des brûlures, voire la mort. Pouvant causer des secousses électriques et des blessures corporelles. Débrancher la pompe de la prise de courant avant de la réparer ou de l'entretenir.

Symptômes	Cause(s) probable(s)	Action corrective
Le pompe ne démarre pas	Le fusible a sauté	S'il a sauté, le remplacer avec un fusible de la taille appropriée.
	La tension est faible	Si la tension est inférieure au minimum recommandé, vérifier la taille du contacteur de la compagnie d'électricité.
	La moteur est défectueux	Remplacer la pompe
	Roue hélice	Déposer la crépine et localiser la source du coincement.
La pompe fonctionne mais elle d'éverse peu ou pas d'eau	La tension est faible	N'utiliser que des cordons prolongateurs de calibre 14 ou plus gros. Dans la mesure du possible, utiliser des cordons prolongateurs de courte longueur.
	Quelque chose obstrue la roue hélice	Nettoyer la roue hélice.
	Tuyau d'arrosage de petit diamètre ou conduite de refoulement longue	Use larger diameter garden hose or 1" flexible pipe. Eliminate any excess hose. Short hoses work best.
	Clapet antiretour monté sans trou d'évent	Percer un trou d'un diamètre de 1,6 - 3,2mm (1/16" - 1/8") entre la voie de déversement de la pompe et la le clapet antiretour.
	Bouchon d'air	Arrêter la pompe pendant quelques secondes, nettoyer le trou antibouchon d'air puis redémarrer la pompe.
	Le tuyau est enroulé en serpentín ou plié	Straighten hose.



## Conserver le reçu de caisse original aux fins d'admissibilité à la garantie

### Garantie limitée

La présente garantie limitée est entrée en vigueur le 1er juin 2011 et remplace toute garantie non datée ou antérieure à cette date. FLOTEC garantit à l'acheteur/au consommateur d'origine (l'Acheteur) que ses produits sont exempts de tout vice de matériau et de fabrication. Cette garantie est valable pendant douze (12) mois à partir de la date d'achat d'origine. Si, dans les douze (12) mois suivant la date d'achat d'origine, un produit se révèle défectueux, il doit être réparé ou remplacé, à la discrétion de FLOTEC, selon les modalités énoncées aux présentes. Il est à noter que la présente garantie limitée s'applique aux défauts de fabrication seulement. Elle ne couvre pas l'usure normale. Tout dispositif mécanique doit faire l'objet d'un entretien périodique pour veiller à son bon fonctionnement. La présente garantie limitée ne couvre pas les réparations attribuables à l'usure normale d'une pièce ou de l'équipement.

Le reçu de caisse original et l'étiquette d'information sur la garantie sont nécessaires pour déterminer l'admissibilité à la garantie. Cette dernière est établie en fonction de la date d'achat de l'article et non de la date de son remplacement sous garantie. La garantie se limite à la réparation ou au remplacement de l'article original seulement et ne couvre pas l'article de rechange (c.-à-d. un article remplacé sous garantie par achat). L'Acheteur assume les frais de retrait, d'installation, de transport et tous les frais accessoires.

Pour obtenir des pièces ou de l'aide technique, NE PAS retourner le produit au détaillant. Contacter le service à la clientèle de FLOTEC au 1 800 365-6832.

Toute demande de règlement en vertu de la présente garantie doit être faite en retournant l'article (à l'exception des pompes de puisard; voir la marche à suivre ci-dessous) au magasin où celui-ci a été acheté ou à l'usine dès qu'une défectuosité est soupçonnée. FLOTEC prendra les mesures correctives nécessaires dans un délai rapide et raisonnable. Aucune demande de réparation ne sera acceptée plus de 30 jours après l'expiration de la garantie.

La garantie ne peut être cédée et ne s'applique pas aux produits utilisés à des fins commerciales ou de location.

### Pompes d'eaux d'égout

NE PAS RETOURNER une pompe d'eaux d'égout (qui a été installée) au détaillant. Communiquer avec le service à la clientèle de FLOTEC. Les pompes d'eaux d'égout qui ont été utilisées, puis retirées présentent un risque de contamination.

En cas de défaillance de la pompe d'eaux d'égout :

- Porter des gants en caoutchouc pour manipuler la pompe.
- À des fins de garantie, retourner l'étiquette figurant sur le cordon de la pompe et l'original du reçu au détaillant.
- Mettre la pompe au rebut conformément à la réglementation locale.

### Exceptions à la garantie limitée de douze (12) mois

Produit	Période de garantie
FP0F360AC, FP0FDC	90 jours
FP0S1775A, FP0S1790PCA, FP0S2400A, FP0S2450A, FP0S4100X, FP2800DCC, FPCP-20ULST, FPPSS3000, FPSC2150A, FPSC3150A, FPSC3350A	2 ans
Pompes de puits submersibles de 10,2 cm (4 po), FP0S3200A, FP0S3250A, FP0S6000A, FPSC1725X, FPSC2200A, FPSC2250A, FPSE3601A, FPPSS5000	3 ans
Réservoir préchargé de système d'eau (gamme FP7100), E100ELT, E3305TLT, E3375TLT, E5005TLTT, E50TLT, E50VLT, E75STVT, E75VLT, FPSC3200A, FPSC3250A, FPSC4550A	5 ans

### Modalités générales et restriction des recours

L'Acheteur doit payer tous les frais de main d'œuvre et de transport nécessaires au remplacement du produit garanti couvert par cette garantie. Cette garantie ne s'applique pas à ce qui suit : (1) Les catastrophes naturelles; (2) Les produits qui, selon FLOTEC, ont fait l'objet d'une négligence, d'une utilisation abusive, d'un accident, d'une mauvaise application ou d'une altération; (3) Les défaillances dues à une installation, une utilisation, un entretien ou un entreposage inappropriés; (4) Une application, une utilisation ou une réparation atypique ou non approuvée; (5) Les défaillances causées par la corrosion, la rouille ou d'autres matériaux étrangers au système, ou par une utilisation à une pression supérieure au maximum recommandé.

Cette garantie établit la responsabilité unique de FLOTEC et le recours exclusif de l'Acheteur en cas de produit défectueux.

FLOTEC NE POURRA ÊTRE TENUE RESPONSABLE DE TOUT DOMMAGE INDIRECT OU CONSÉCUTIF QUEL QU'IL SOIT.

LA GARANTIE LIMITÉE SUSMENTIONNÉE EST EXCLUSIVE ET REMPLACE TOUTES LES AUTRES GARANTIES EXPRESSES ET TACITES, Y COMPRIS, MAIS SANS S'Y LIMITER, LES GARANTIES DE QUALITÉ MARCHANDE ET D'ADAPTATION À UN USAGE PARTICULIER. LA GARANTIE LIMITÉE SUSMENTIONNÉE NE DOIT PAS ÊTRE PROLONGÉE AU-DELÀ DE LA DURÉE PRÉVUE AUX PRÉSENTS.

Certains États ne permettent pas l'exclusion ou la limitation des dommages indirects ou consécutifs, ni les limitations relatives à la durée des garanties implicites. Par conséquent, il se peut que les limitations ou les exclusions ci-dessus ne s'appliquent pas. Cette garantie procure des droits juridiques précis à l'Acheteur. Cependant, il est possible de bénéficier d'autres droits, qui varient selon l'État.

**FLOTEC • 293 Wright Street • Delavan, WI U.S.A. 53115**

**Téléphone : | 800 365-6832 • Télécopieur : | 800 526-3757 • flotecwater.com**

## Instrucciones importantes de seguridad

**Guarde estas instrucciones** - Este manual contiene instrucciones importantes que se deben seguir durante la instalación y el mantenimiento del bombas de sumidero.

**▲** Este es un símbolo de alerta sobre la seguridad. Cuando vea este símbolo en su bomba o en este manual, busque para ver si hay alguna de las siguientes palabras de señal y esté alerta a la posibilidad de lesiones personales.

**▲ PELIGRO** indica un riesgo que, de no evitarse, *provocará* la muerte o lesiones de gravedad.

**▲ ADVERTENCIA** indica un riesgo que, de no evitarse, *podría provocar* la muerte o lesiones de gravedad.

**▲ PRECAUCIÓN** indica un riesgo que, de no evitarse, *podría provocar* lesiones leves o moderadas.

**AVISO** hace referencia a una práctica no relacionada con una lesión física.

**Lea y siga cuidadosamente todas las instrucciones de seguridad en este manual y en la bomba.**

Mantenga las etiquetas de seguridad en buenas condiciones. Reemplace las etiquetas de seguridad faltantes o dañadas.

### Advertencia de la Proposición 65 de California

**▲ ADVERTENCIA** Este producto y accesorios relacionados contienen sustancias químicas reconocidas en el Estado de California como causantes de cáncer, malformaciones congénitas y otros daños al sistema reproductivo.

1. Sepa cuál es la aplicación de la bomba, sus limitaciones y los peligros potenciales.

**▲ ADVERTENCIA** **Riesgo de explosión.** No haga la conexión a tierra en una línea de suministro de gas. No use en ambiente explosivos. Utilice la bomba sólo con agua. Si no se respeta esta advertencia se pueden producir lesiones personales o daños materiales.

2. Asegurarse de que la fuente de alimentación se ajuste a las especificaciones de sus equipos.
3. Desconecte la corriente antes de efectuar el servicio.
4. Alivie toda la presión dentro del sistema antes de efectuar el servicio de un componente.
5. Drene todo el agua del sistema antes de efectuar el servicio.
6. Asegurar la línea de descarga antes de arrancar la bomba. Si no se sujeta, dará latigazos, causando posibles lesiones personales y daños materiales.
7. Examine las mangueras antes de usarlas para ver si están debilitadas o desgastadas, asegurándose que todas las conexiones estén bien fijadas.
8. Inspeccione periódicamente la bomba y los componentes del sistema. Manténgalos limpios de basuras y objetos foráneos. Realice el mantenimiento de rutina según sea necesario.
9. Disponga de medios de aliviar la presión en bombas cuya línea de descarga pueda cerrarse o taponarse.
10. Seguridad personal:
  - a. Lleve puestas gafas de seguridad en todo momento cuando trabaje con las bombas.
  - b. Mantenga limpia el área de trabajo, despejada y bien iluminada. Aparte todas las herramientas y equipos que no esté usando.

- c. No deje que se acerquen otras personas a la zona de trabajo.
- d. Asegure el taller a prueba de niños. Use candados, interruptores generales y saque las llaves de arranque.

11. Cuando conecte una bomba de impulsión eléctrica, respete todos los códigos eléctricos y de seguridad, así como otros más recientes como el Código Eléctrico Nacional (NEC) y la Ley de Seguridad e Higiene en el Trabajo (OSHA).

**▲ ADVERTENCIA** **Riesgo de arranques repentinos.** Puede provocar choque eléctrico y lesiones personales. El motor de la bomba está equipado con un protector térmico de reposición automática y puede volver a arrancar de forma inesperada.

12. **▲ ADVERTENCIA** **Riesgo de choque eléctrico.** Puede provocar choque, quemadura o muerte. Esta unidad sólo se debe usar con corriente de 115 V (monofásica) y está equipada con un cable aprobado de 3 conductores y un enchufe de 3 clavijas con línea a tierra.

Para disminuir el riesgo de una descarga eléctrica, asegúrese que esté enchufada a un receptáculo conectado a tierra de forma adecuada. En casos en que se disponga de una toma de corriente de pared para 2 clavijas, debe reemplazarse por un receptáculo para 3 clavijas conectado a tierra de forma adecuada e instalado según el Código Eléctrico Nacional y los códigos y ordenanzas locales.

13. Todas las conexiones eléctricas deben ser hechas por un electricista capacitado.
14. Proteja el cable eléctrico de objetos afilados, superficies calientes, aceite y productos químicos. Evite enredar el cable. Reemplace o repare inmediatamente los cables dañados o gastados.
15. Use cable del tamaño adecuado para reducir a un mínimo la caída de voltaje en el motor. Consulte códigos al día como el Código Eléctrico Nacional (NEC).
16. No toque el motor en funcionamiento. Los motores pueden funcionar a temperaturas altas.
17. **El motor en aceite no ha sido diseñado para usos en agua que contenga peces. No la use en agua con peces u otros seres vivos.**

## ESPECIFICACIONES

Corriente requerida .....	115V, 60 Hz
Rango temperatura del líquido .....	Máx. 25°C (77°F)
Posición de operación .....	Vertical
Requiere un ramal individual .....	15 A
Nivel de operación	Mín. inicial .....
(nivel de agua)	Máx. final .....
Descarga .....	1" NPT

Bombear solamente agua con esta bomba.

**AVISO** Este aparato no está diseñado como bomba de cascada o fuente, ni para aplicaciones con agua salada o de mar. El uso con cascadas, fuentes, agua salada o de mar anulará la garantía. No usar en donde hay recirculación de agua.

No ha sido diseñado para usar como desagüador de piscinas de natación.

**AVISO** Esta unidad no ha sido diseñada para uso con agua salada o salubre. El uso con agua salada o salubre anulará la garantía.

## RENDIMIENTO

LPH (GPH) a metros (pies) totales						
0,91 (3')	1,52 (5')	3,05 (10')	4,57 (15')	5,49 (18')	6,09 (20')	6,70 (22')
6 057 L (1600 gal)	5 769 L (1524 gal)	4 770 L (1260 gal)	3 498 L (924 gal)	2 453 L (648 gal)	1 408 L (372 gal)	0 L (0 gal)

## INSTALACIÓN

**⚠ ADVERTENCIA Riesgo de choque eléctrico.** Puede provocar choque, quemadura o muerte. No levante el motor por el cordón de alimentación. Use siempre la manija.

- La bomba debe estar colocada y apoyada sobre una superficie maciza y nivelada. No cuelgue la bomba por el tubo de descarga o cordón de alimentación. Mantenga limpio el filtro de entrada de la bomba.
- Enrosque con cuidado el tubo de salida al cuerpo de la bomba para no desgastar o dañar la rosca.
  - Para instalar con manguera de jardín, instale el adaptador provisto con la bomba.  
**AVISO** Para mantener la fricción reducida a un mínimo, la manguera debe tener un diámetro de 5/8" o más grande. La manguera debe ser tan corta como sea posible.
  - Para instalar con una tubería rígida, use tubería de plástico. Envuelva la rosca con cinta de cinta sellante de PTFE para roscas de tubería. Enrosque la tubería en la bomba con la mano entre + 1 y 1 1/2 vueltas.
- Si, en su aplicación, el retroflujo es un problema cuando la bomba se detiene, evítelo instalando una válvula de retención de 1" NPT en la descarga de la bomba.
- Fuente de alimentación: La bomba está diseñada para operar a 115V y 60 Hz y requiere un ramal individual de 15 amperes o más de capacidad. Dispone de un cable de 3 conductores con un enchufe con línea a tierra para usar en una toma de corriente conectada a tierra de 3 conductores. Se recomienda un cordón prolongador de 3 conductores, o de calibre 14 AWG (2 mm<sup>2</sup>) como mínimo, y tamaños mayores para tramos superiores a 7 m (25 pies). Por razones de seguridad, la bomba debe estar conectada siempre a una tierra eléctrica adecuada tal como una tubería de agua conectada a tierra o una canalización eléctrica metálica conectada a tierra de forma adecuada o un sistema de cables conectado a tierra. No corte la clavija redondeada de tierra.

**⚠ ADVERTENCIA Riesgo de arranques repentinos.** Puede provocar choque eléctrico y lesiones personales. El motor de la bomba viene equipado con un protector térmico de reposición automática y puede volver a arrancar inesperadamente. El disparo del protector indica que el motor se está recalentando como consecuencia de que la bomba está funcionando a una presión alta, de que existe una tensión excesivamente alta o baja, un cableado incorrecto, conexiones incorrectas del motor o un motor o una bomba defectuosos.

## OPERACIÓN

**⚠ ADVERTENCIA Riesgo de choque eléctrico.** Puede provocar choque, quemadura o muerte. No maneje la bomba ni el motor de la bomba con manos húmedas o cuando esté parado sobre superficies húmedas o mojadas, o sobre agua. Desconecte la corriente eléctrica de la bomba antes de realizar trabajos de mantenimiento o reparaciones en la bomba.

El funcionamiento de la INTELLIPUMP<sup>MR</sup> es totalmente automático. El controlador "inteligente" enciende la bomba cada 2-1/2 minutos y hace que marche por 5 segundos. Si detecta que no hay flujo de agua hacia la bomba, se detiene. Si detecta agua, continúa funcionando hasta que haya bombeado agua hasta una profundidad de 1/4" y luego se detiene. Luego pasa a un ciclo de detección rápida de 7 minutos, comenzando 4 veces durante el primer minuto, dos veces durante el segundo minuto y una vez por minuto durante los próximos 5 minutos. Si cuando llega a la última verificación, aún no ha detectado agua, volverá a pasar por este ciclo (funcionando por 5 segundos cada 2-1/2 minutos) hasta que vuelva a detectar agua.

**AVISO** Cuando enchufe la bomba en el tomacorriente, se encenderá y funcionará por 5 segundos. Luego comenzará el ciclo que se describe arriba.

Si la unidad se coloca en el agua y se pone en funcionamiento, interrumpiendo el flujo de agua hacia la bomba durante la operación de detección de agua de 5 segundos, ésta esperará 2-1/2 minutos antes de volver a comenzar.

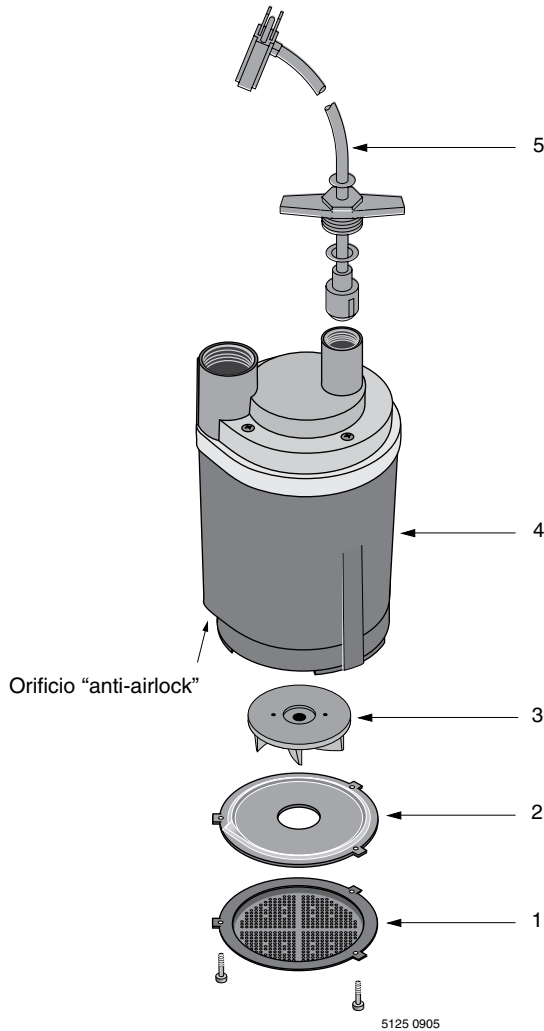
- El motor viene equipado con un protector de sobrecarga térmica que se vuelve a graduar automáticamente. Si el motor se recalienta, el protector de sobrecarga detiene el motor antes de que se perjudique. Cuando el motor se ha enfriado lo suficiente, el protector de sobrecarga se gradúa automáticamente y vuelve a arrancar el motor.  
**AVISO** Si el protector de sobrecarga detiene la operación de la bomba repetidamente, desconecte la corriente eléctrica de la bomba e inspeccione para encontrar el problema. Tensiones bajas, cables largos de alargamiento, impulsores bloqueados, demasiada presión en la manguera de descarga (como en los casos en que se bombea a través de 50 pies - 15 metros - de manguera enredada), o una operación prolongada de la bomba sin carga, pueden causar recalentamiento.
- El agua que se bombea enfría el motor, lo que permite que la bomba continúe funcionando a cualquier profundidad de agua por encima de 1/4 de pulgada. Sin embargo, si la sobrecarga del motor detiene la bomba, deje que se enfríe por una hora antes de volver a encenderla. El motor no volverá a funcionar antes de que la sobrecarga se haya enfriado.

## BOLSAS DE AIRE ("AIRLOCK")

Cuando el flujo de la bomba disminuye o se para debido a bolsas de aire, la bomba marcha pero no mueve agua. Una bolsa de aire puede hacer que la bomba se recaliente y falle. Esta bomba posee un orificio "anti-airlock" en el fondo del cuerpo de la bomba para eliminar las bolsas de aire. Si usted sospecha que hay una bolsa de aire, desenchufe la bomba, limpie el orificio "anti-airlock" con un clip de papel o un trozo de alambre y vuelva a activarla.

**AVISO** Si la salida de la manguera/tubería de descarga está sumergida, se deberá tener un orificio de 1/8" en la manguera/tubería de descarga para evitar la creación de bolsas de agua. Este orificio debe estar abierto al aire.

**AVISO** Si mueve la bomba o si hay bolsas de aire en la bomba, asegúrese de drenar la manguera antes de tratar de volver a encender la bomba

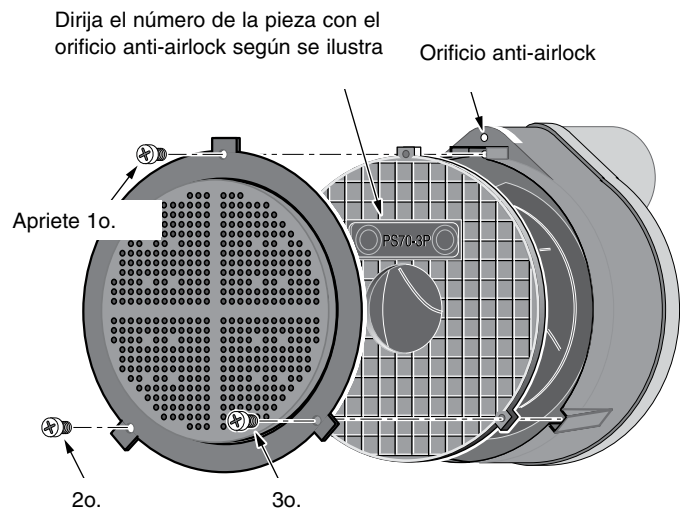


## REPUESTOS

Clave	Descripción	Cant.	N° de Pieza
1	Filtro	1	PS8-6P
2	Protector térmico	1	PS70-3P
3	Impulsor	1	PS5-25P
4	Motor	1	**
5	Cordón de alimentación	1	PS117-51-TSU
•	Adaptador de manguera de jardín		
1FT001	3-43		

**AVISO** Para adquirir una válvula de retención, llame al Departamento de Atención al Cliente, 800-365-6832 y encargue el repuesto PW73-63.

\*\* Si el motor falla, reemplace la bomba. • No ilustrado.



**Ensamble la pantalla y el casco según se ilustra.**

## Localización de fallas

**⚠ ADVERTENCIA** **Riesgo de choque eléctrico.** Puede provocar choque, quemadura o muerte. Desconecte la corriente eléctrica a la bomba antes de tratar de localizar una falla o de realizar trabajos en la misma.

Síntoma	Causas probables	Solución
La bomba no arranca o no funciona	Fusible fundido	Si está fundido, reemplácelo por un fusible del tamaño adecuado
	Bajo voltaje de línea	Si el voltaje es inferior al mínimo recomendado, compruebe el tamaño de los cables procedentes del interruptor principal de las instalaciones. Si está bien, consulte con la compañía eléctrica.
	Motor defectuoso	Reemplace la bomba
	Impulsor	Retire la criba, ubique la fuente del atascamiento.
La bomba funciona pero no suministra agua o muy poca agua	Bajo voltaje de línea	Use únicamente cables de extensión de calibre 14. Use cables de extensión cortos cuando sea necesario.
	Objeto atascado en el rodete	Limpe el impulsor
	Manguera de jardín de diámetro chico o línea de descarga larga	Use una manguera de jardín de mayor diámetro o un tubo flexible de 1". Deseche el exceso de manguera. Las mangueras cortas funcionan mejor.
	Examine la válvula instalada sin respiradero	Taladre un agujero de 1,6 a 3,2 mm (1/16" a 1/8") de diámetro entre la de scarga de la bomba y la válvula de retención.
	Bolsa de aire (disminución de flujo)	Apague la bomba por unos segundos, limpie el orificio "anti-airlock" y luego vuelva a activarla.
Espirales o dobleces en la manguera	Enderece la manguera.	

**Retener el recibo original a fin de determinar la elegibilidad para la garantía**

**Garantía limitada**

Esta Garantía Limitada entra en vigor el 1 de junio de 2011 y sustituye toda garantía sin fecha o garantía con fecha anterior al 1 de junio de 2011. FLOTEC le garantiza al comprador consumidor original (el "Comprador" o "Usted") de sus productos, que éstos estarán libres de defectos en materiales y en mano de obra por un período de doce (12) meses, a partir de la fecha de la compra original del consumidor. Si dentro de los doce (12) meses a partir de la fecha de la compra inicial del consumidor, Será reparado o reemplazado a opción de la FLOTEC, sujeto a los términos y condiciones establecidos en la presente. Tome nota de que esta garantía limitada cubre defectos de manufactura solamente y no el desgaste común. Todos los aparatos mecánicos periódicamente necesitan repuestos y servicio para un funcionamiento correcto. Esta garantía limitada no cubre las reparaciones que se realicen cuando el uso normal haya agotado la vida útil de una pieza o del aparato.

Es necesario retener el recibo de compra original y la etiqueta de información de la garantía a fin de determinar la elegibilidad para la garantía. La elegibilidad se basa en la fecha de compra del producto original - no en la fecha del reemplazo bajo la garantía. La garantía es limitada y cubre solamente la reparación o el reemplazo del producto original adquirido, no del producto reemplazado (es decir que se permite un reemplazo por compra bajo la garantía). El comprador pagará todos los costos de remoción, instalación, mano de obra y envío necesarios, así como todo costo adicional asociado.

Si necesita piezas o resolución de problemas, NO regrese el producto a la tienda minorista. Llame el Servicio a la Clientela de FLOTEC al 1-800-365-6832.

Las reclamaciones hechas bajo esta garantía se realizarán mediante la devolución del producto (a excepción de las bombas cloacales - ver a continuación) al concesionario de venta al público en donde se haya adquirido o a la fábrica, inmediatamente después de haber descubierto cualquier presunto defecto. FLOTEC entonces tomará la medida correctiva tan pronto como sea razonablemente posible. No se aceptarán solicitudes de servicio, si se reciben más de 30 días después del vencimiento de esta garantía.

La garantía no es transferible y no cubre productos utilizados en aplicaciones comerciales o de alquiler.

**Bombas cloacales**

NO devuelva una bomba cloacal (que se haya instalado) a su tienda minorista. Comuníquese con el Departamento de Atención al Cliente de FLOTEC. Las bombas cloacales que hayan estado en servicio y se hayan removido pueden representar un peligro de contaminación.

Si su bomba cloacal ha fallado:

- Use guantes de caucho cuando manipule la bomba;
- Para los fines de la garantía, devuelva la etiqueta del cordón de la bomba y el recibo de compra original a la tienda minorista;
- Descarte la bomba cumpliendo con todas las normas locales que correspondan para su eliminación.

**Excepciones para la Garantía limitada de Doce (12) Meses**

Producto	Período de garantía
FP0F360AC, FP0FDC	90 días
FP0S1775A, FP0S1790PCA, FP0S2400A, FP0S2450A, FP0S4100X, FP2800DCC, FPCP-20ULST, FPPSS3000, FPSC2150A, FPSC3150A, FPSC3350A	2 años
Bombas de pozo sumergibles de 4", FP0S3200A, FP0S3250A, FP0S6000A, FPSC1725X, FPSC2200A, FPSC2250A, FPSE3601A, FPPSS5000	3 años
Tanque precargado del sistema de agua (Serie FP7100), E100ELT, E3305TLT, E3375TLT, E5005TLTT, E50TLT, E50VLT, E75STVT, E75VLT, FPSC3200A, FPSC3250A, FPSC4550A	5 años

**Términos y condiciones generales; Limitación de recursos**

Usted deberá pagar por todos los gastos de mano de obra y de envío necesarios para reemplazar el producto cubierto por esta garantía. Esta garantía no se aplicará en las siguientes situaciones: (1) caso de fuerza mayor (2) productos que, a sólo juicio de FLOTEC hayan sido sometidos a negligencia, abuso, accidente, mala aplicación, manejo indebido o alteraciones; (3) fallas debido a instalación, operación, mantenimiento o almacenamiento inadecuados; (4) aplicaciones, usos o servicios que no sean normales o aprobados; (5) fallas provocadas por corrosión, herrumbre u otros materiales extraños en el sistema, o una operación a presiones que excedan los máximos recomendados.

Esta garantía establece la única obligación de FLOTEC y el recurso exclusivo del Comprador con respecto a los productos defectuosos. FLOTEC NO SE HARÁ RESPONSABLE DE NINGÚN DAÑO CONSECUENTE, INCIDENTAL O CONTINGENTE.

LAS GARANTÍAS LIMITADAS QUE ANTECEDEN SON EXCLUSIVAS Y EN LUGAR DE TODA OTRA GARANTÍA EXPLÍCITA E IMPLÍCITA, INCLUYENDO, PERO SIN LIMITARSE A LAS GARANTÍAS IMPLÍCITAS DE COMERCIABILIDAD E IDONEIDAD PARA UN FIN ESPECÍFICO. LAS GARANTÍAS LIMITADAS QUE ANTECEDEN NO SE EXTENDERÁN MÁS ALLÁ DEL PERÍODO DE DURACIÓN INDICADO EN LA PRESENTE.

Algunos Estados no permiten la exclusión o limitación de daños incidentales o consecuentes o de limitaciones de tiempo sobre garantías implícitas, de modo que es posible que las limitaciones o exclusiones que preceden no correspondan en su caso. Esta garantía le otorga derechos legales específicos y es posible que Usted también tenga otros derechos que pueden variar de un Estado al otro.

**FLOTEC • 293 Wright Street • Delavan, WI 53115 U.S.A.**

**Teléfono: 1-800-365-6832 • Fax: 1-800-526-3757 • Sitio Web: flotecwater.com**





