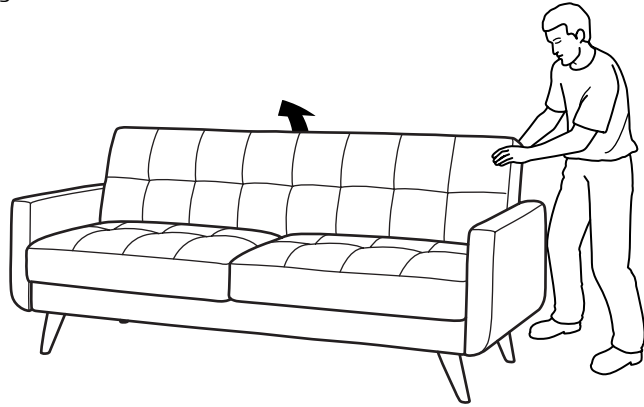


Converting the Orbit

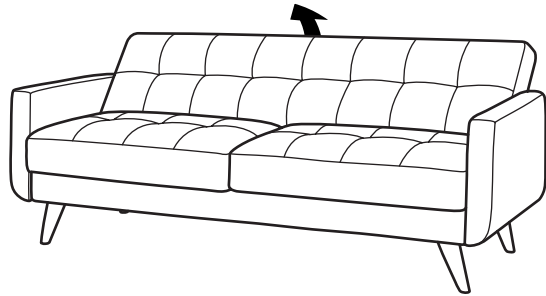
Converting to Sofa

Standing at the side of the unit (from bed position), lift backrest to the desired position and secure in place by releasing to the sound of a click.



Converting to Lounger

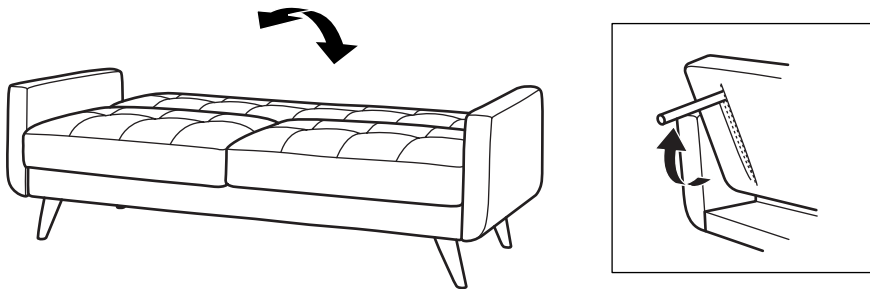
In bed position, lift backrest upwards with each click sound until a desired lounge position is reached.



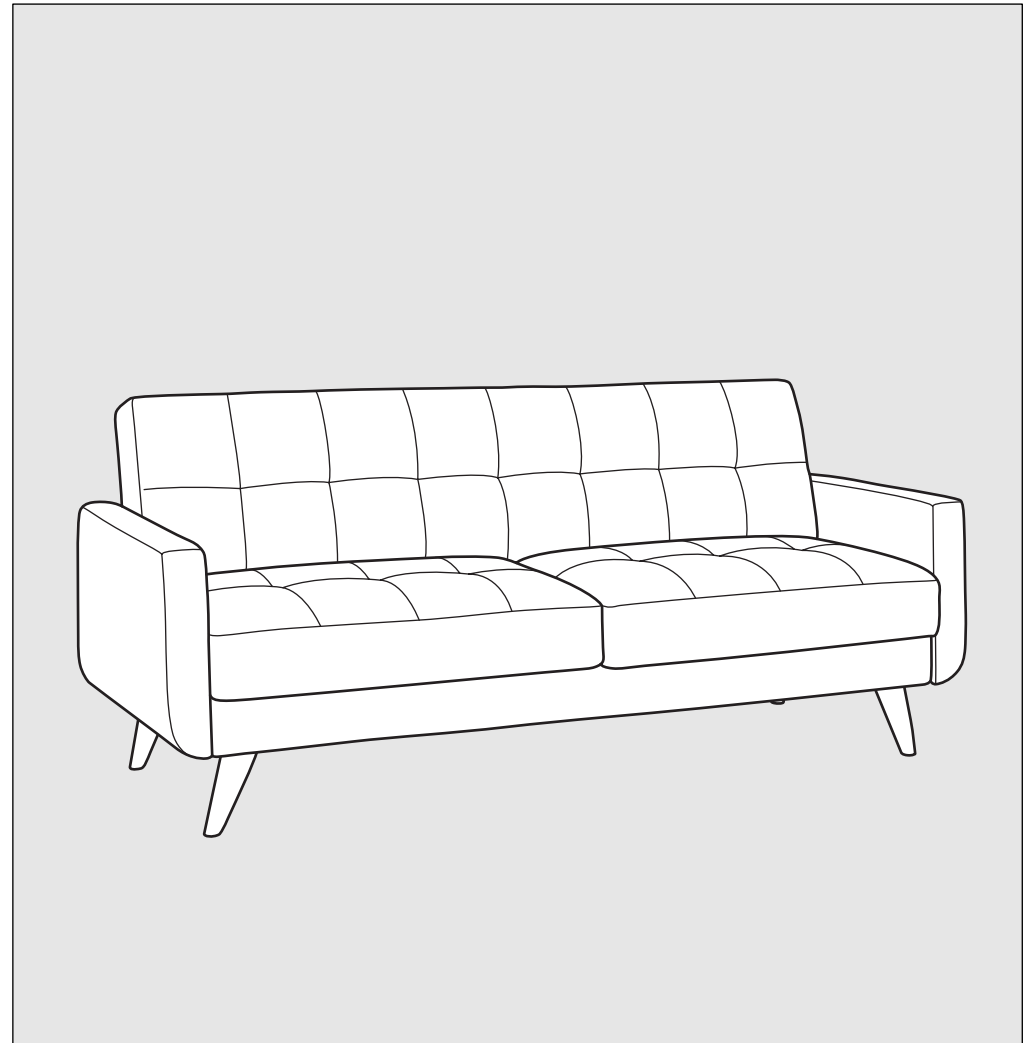
Converting to Bed

From sofa or lounge position, lift backrest all the way upwards until the last click is heard which unlocks the mechanism and carefully return to a flat position.

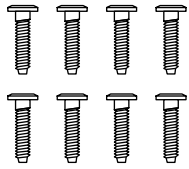
IMPORTANT: Ensure that the support legs are extended out (behind the backrest) when using it as a bed.



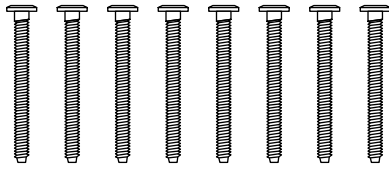
Orbit



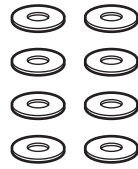
Parts and Hardware



Short Bolt



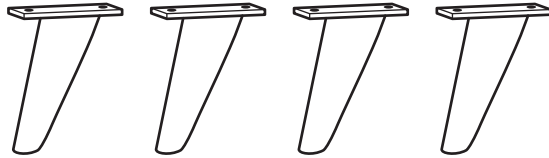
Long Bolt



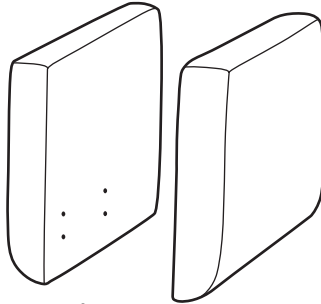
Washer



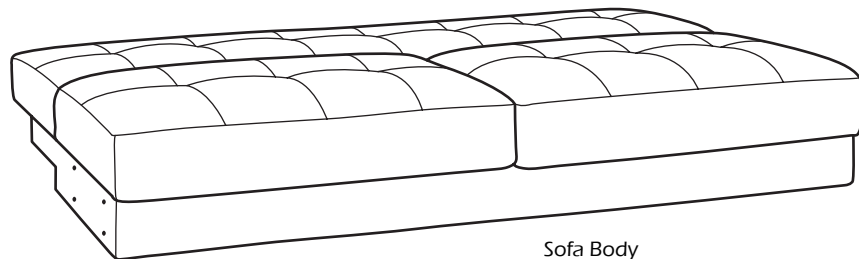
Allen Key



Leg



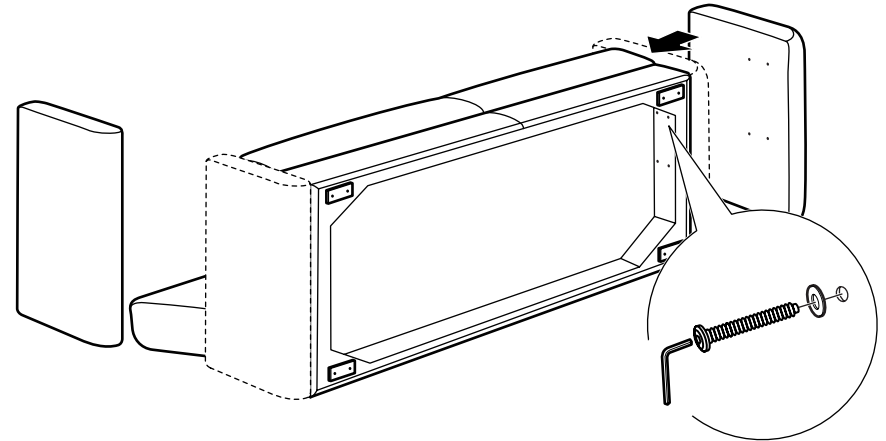
Armrest



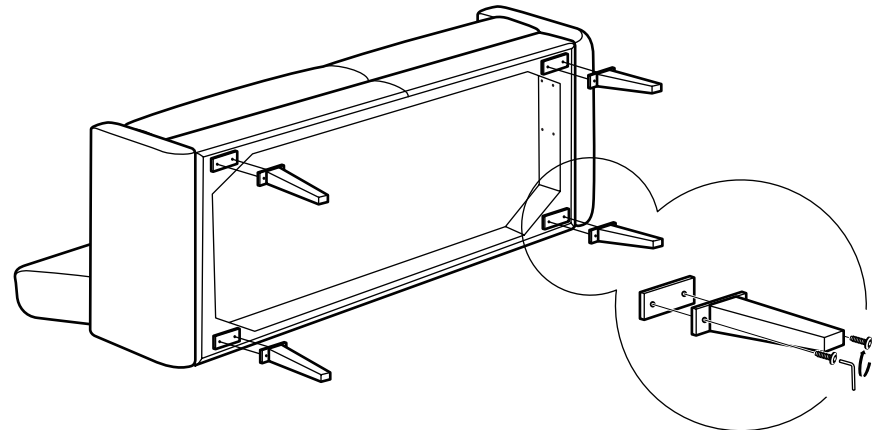
Sofa Body

Assembling the Orbit

- 1** Carefully unpack and place sofa body unit upright on a clean flat surface to show the base as shown.
- 2** Locate the pre-drilled holes inside. Align armrest into position (see above) and secure with four long bolts and washers for each armrest from sofa body with the Allen key. Repeat step for other armrest, ensuring both are fully secured and zipped shut.



- 3** Align all four legs onto the designated plates in correct orientation (see below) and secure two short bolts each leg using the Allen key.



- 4** Finally, carefully lift and turn assembled unit onto its legs. Two persons required to avoid personal injury.