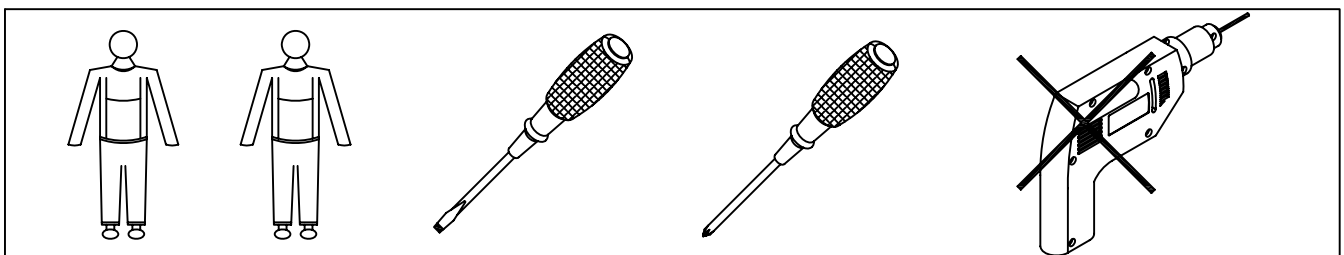
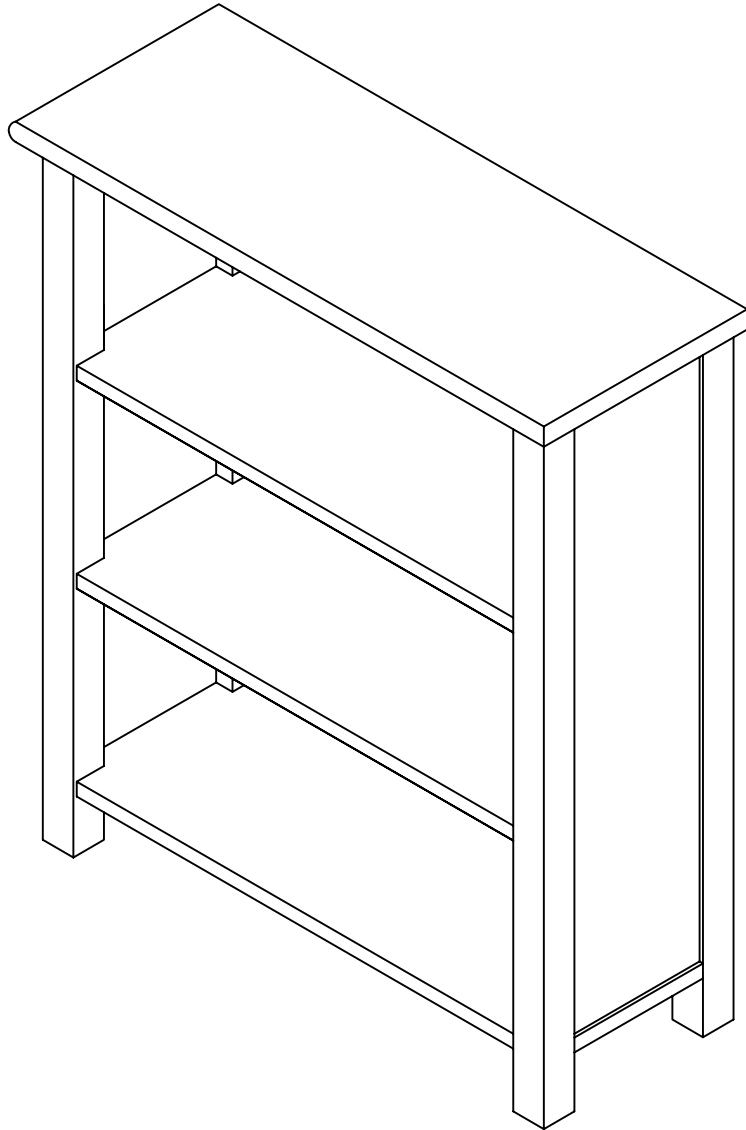


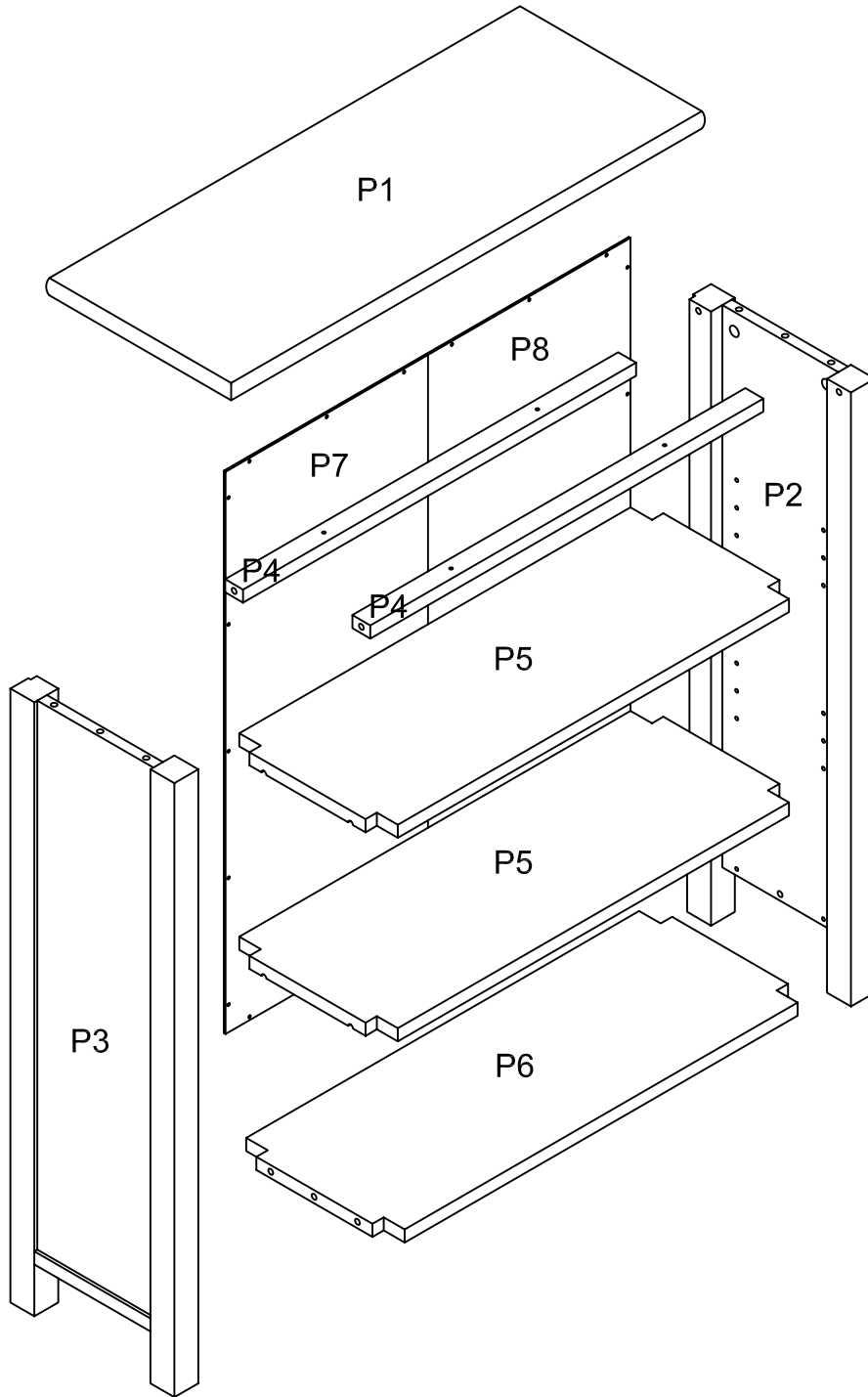


Assembly Instruction

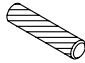

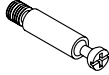

Austin Bookcase 36"

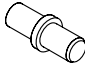





Austin Bookcase 36"
parts list

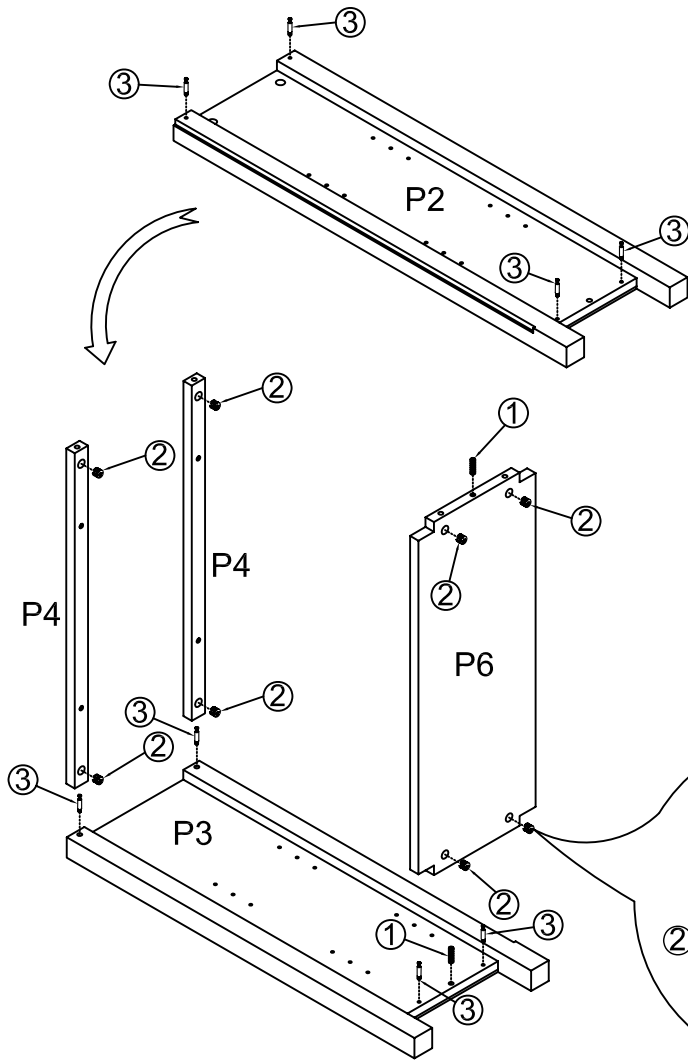


contents of the bag

1		∅ 3/8" x 1-1/4"mm	4PCS
2		∅ 5/8" x 1/2"mm	12PCS
3		∅ 1/4" x 1-3/8"mm	12PCS
4		∅ 3/8" x 1"mm	5PCS

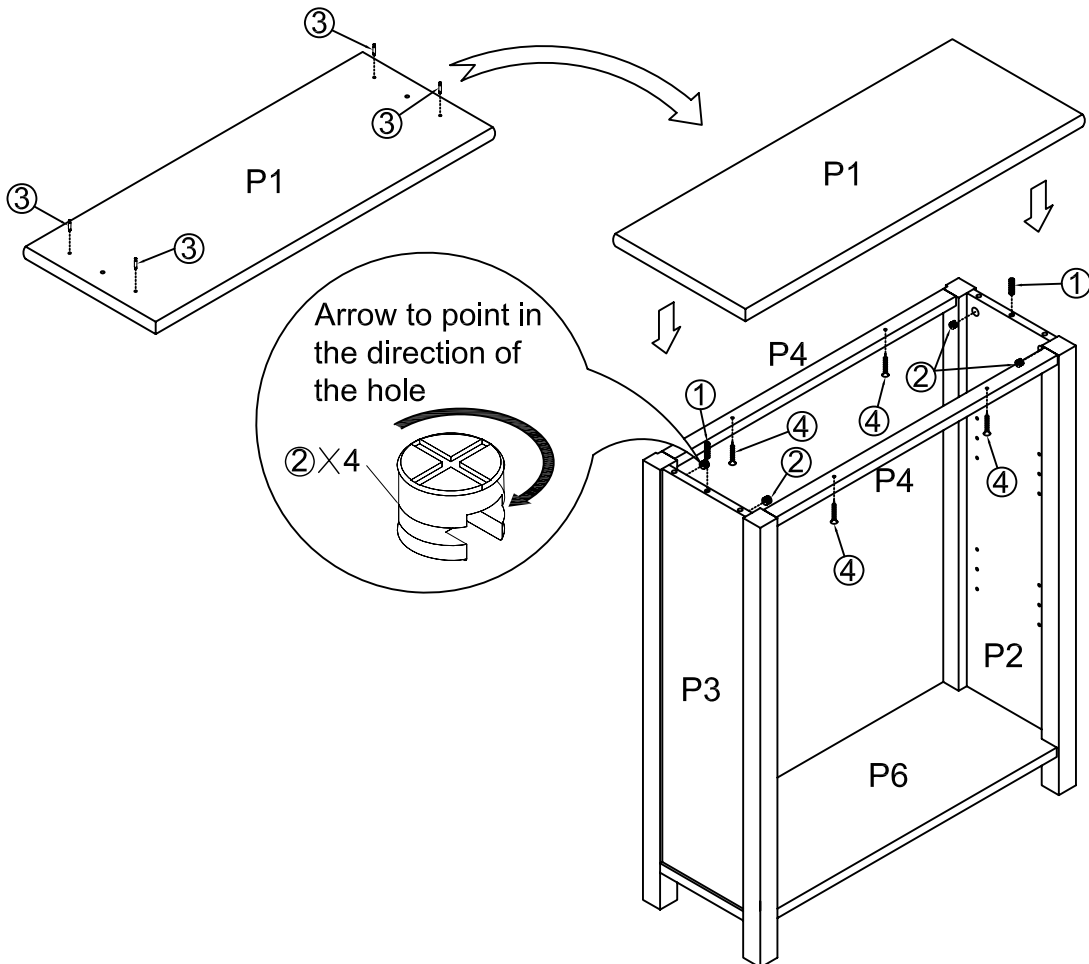
5		∅ 1/4" x 5/8"mm	8PCS
6		∅ 1/4" x 1/2"mm	22PCS
7			1PC
8		1/4" x 1/2"mm	1PC

step 1



1		2PCS
2		8PCS
3		8PCS

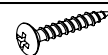
step 2



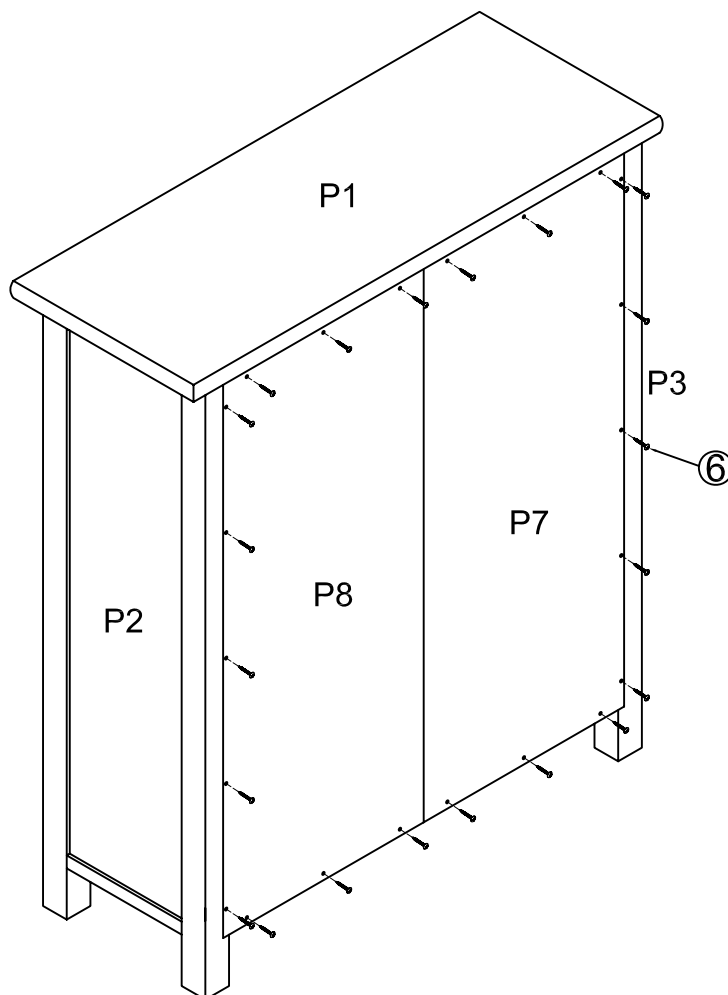
1		2PCS
2		4PCS
3		4PCS
4		4PCS

step 3

6



22PCS



step 4

4



1PC

5



8PCS

7

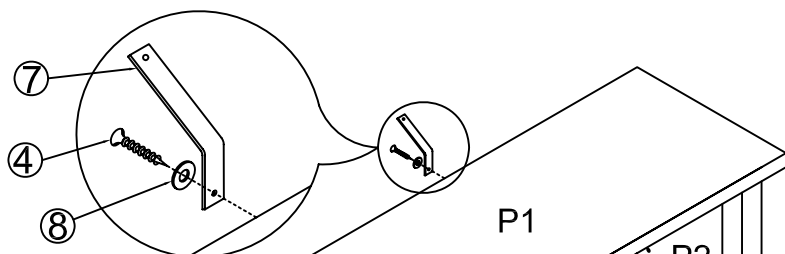


1PC

8



1PC



Recommendation:

Attach one end of the strap 7 from the rear edge of top panel to the wall, to prevent the bookcase fall down accidentally.

