

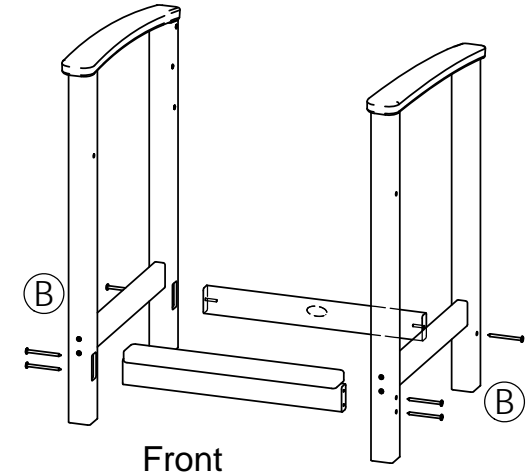
MODEL: 1911 - 1912

- (2) Side frames RH/LH
- (1) Seat assembly
- (1) Back assembly
- (1) Medallion brace
- (1) Foot rest
- (1) Hardware pack

STEP 1

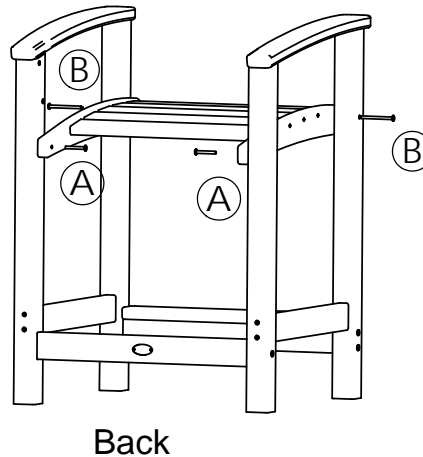
Attach brace and foot rest into pockets on side frames using (6) 3" screws.

Do not tighten screws until last step.



STEP 2

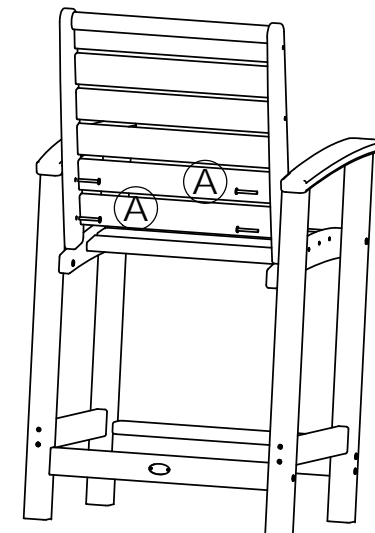
Attach seat to side frames using (2) 3" screws for front leg and (2) 1-3/4 bolts for back leg.



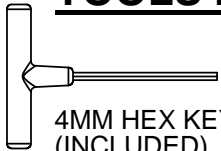
STEP 3

Attach back assembly to side frames using (4) 1-3/4 bolts.

Tighten all screws.



TOOLS NEEDED



4MM HEX KEY, ALLEN, T-HANDLE
(INCLUDED)

QTY	DESCRIPTION
6	A - 1/4-20 X 1-3/4 WAFER SHCS
8	B - .27 X 3 SOCKET WAFER "A"

A - 1/4-20 X 1-3/4 WAFER SHCS

6



B - .27 X 3 SOCKET WAFER "A"

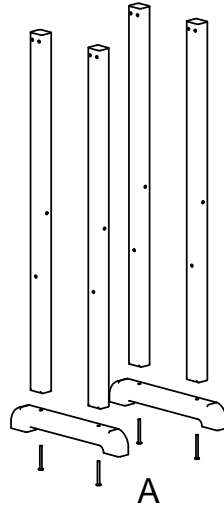
8



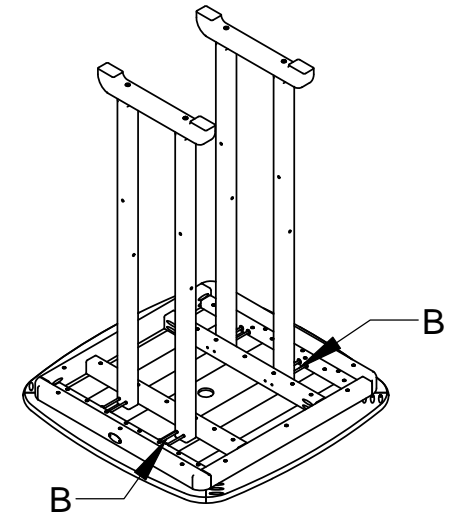
Model: NCBT31 & LB31

- (1) Table top
- (4) Leg
- (2) Foot
- (2) Long Braces
- (2) Short Braces
- (2) Hardware pack (Table\Leg Kit)

Step 1
Attach feet to legs using (4) 2½" Chair bolts.



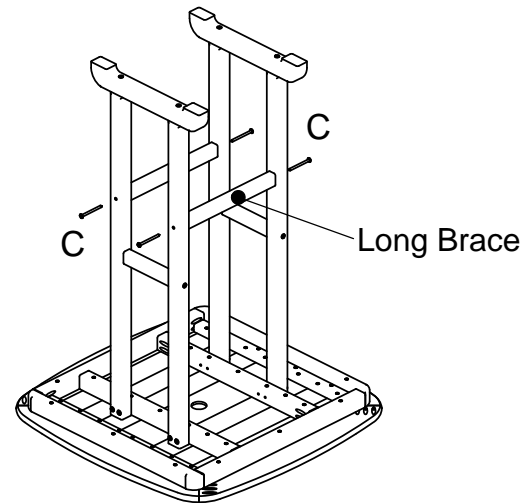
Step 2
Lay table top on flat surface. Attach the leg assemblies to the table frame using (8) .27x2-1/2" screws



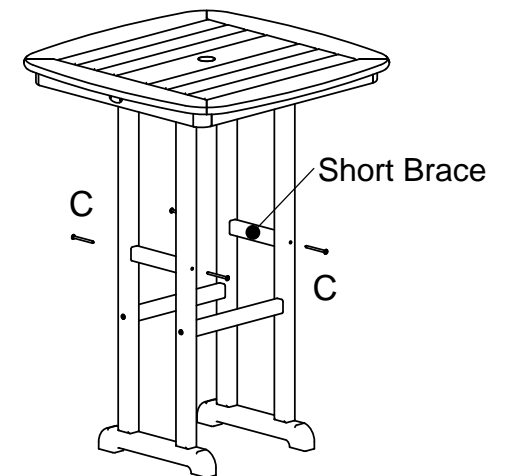
TOOLS NEEDED

4mm HEX KEY: INCLUDED

Step 3
Attach Long leg braces to the leg assemblies using (4) .27x3" screws



Step 4
Attach Short leg braces to the leg assemblies using (4) .27x3" screws



Qty.	Description
4	A - 1/4-20 X 2-1/2 WAFER SHCS
8	B - .27 X 2-1/2 SOCKET WAFER "A"
8	C - .27 X 3 SOCKET WAFER "A"

