

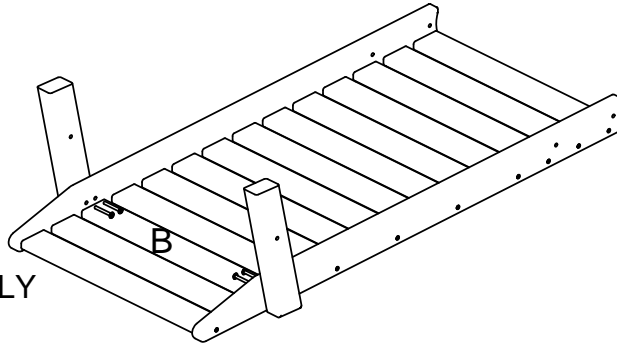


Intelligent Design™

MODEL: NCW2280

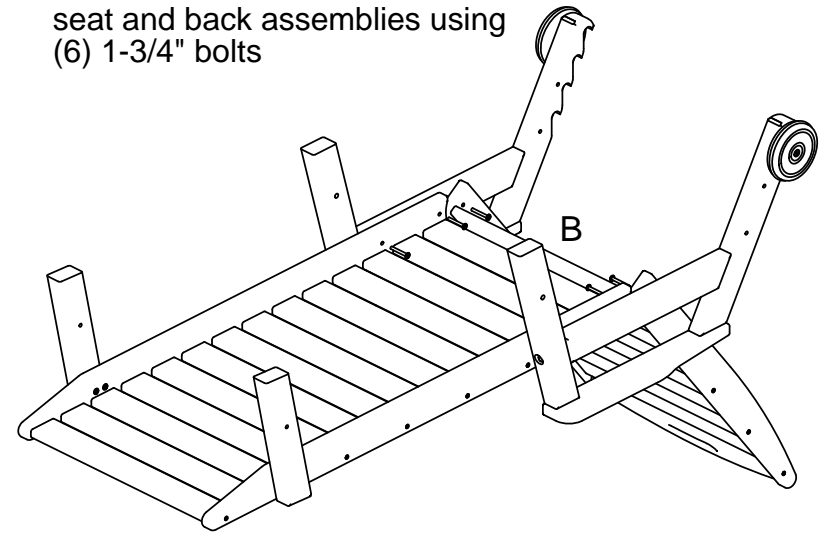
STEP 1

Attach front legs to seat assembly using (4) 1-3/4" bolts



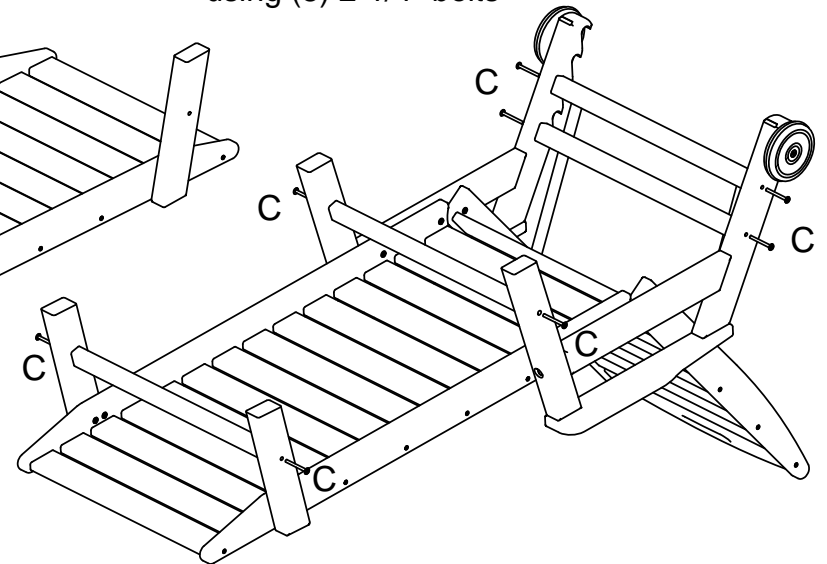
STEP 2

Attach sideframes to both the seat and back assemblies using (6) 1-3/4" bolts



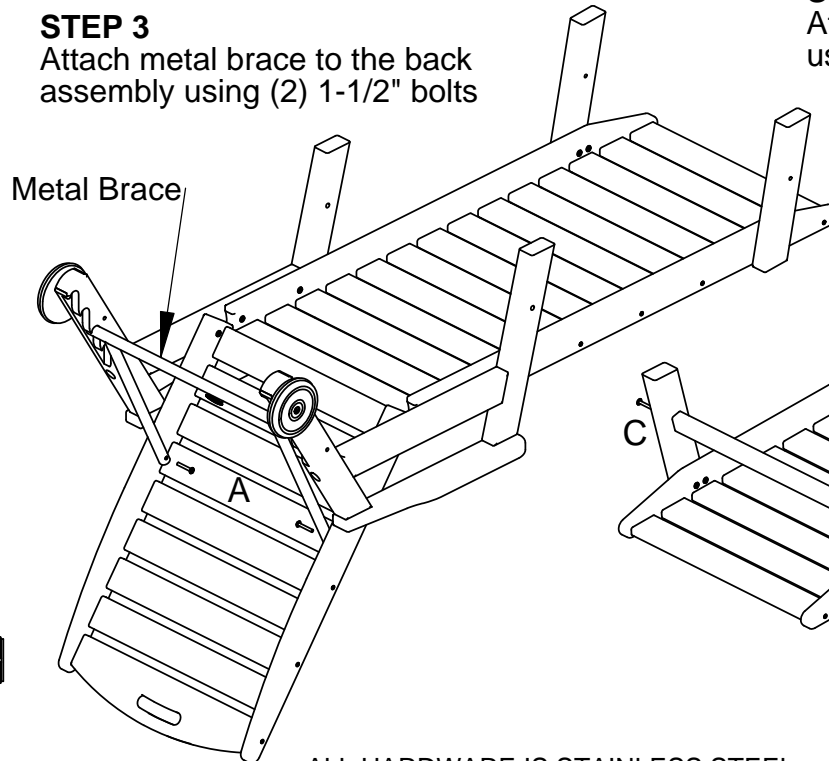
STEP 4

Attach stretchers to the legs using (8) 2-1/4" bolts



STEP 3

Attach metal brace to the back assembly using (2) 1-1/2" bolts



Metal Brace

TOOLS NEEDED

4mm" HEX KEY: INCLUDED

QTY	DESCRIPTION
2	A-1/4-20 X 1-1/2 WAFER SHCS
10	B-1/4-20 X 1-3/4 WAFER SHCS
8	C-1/4-20 X 2-1/4 WAFER SHCS

Model: NST

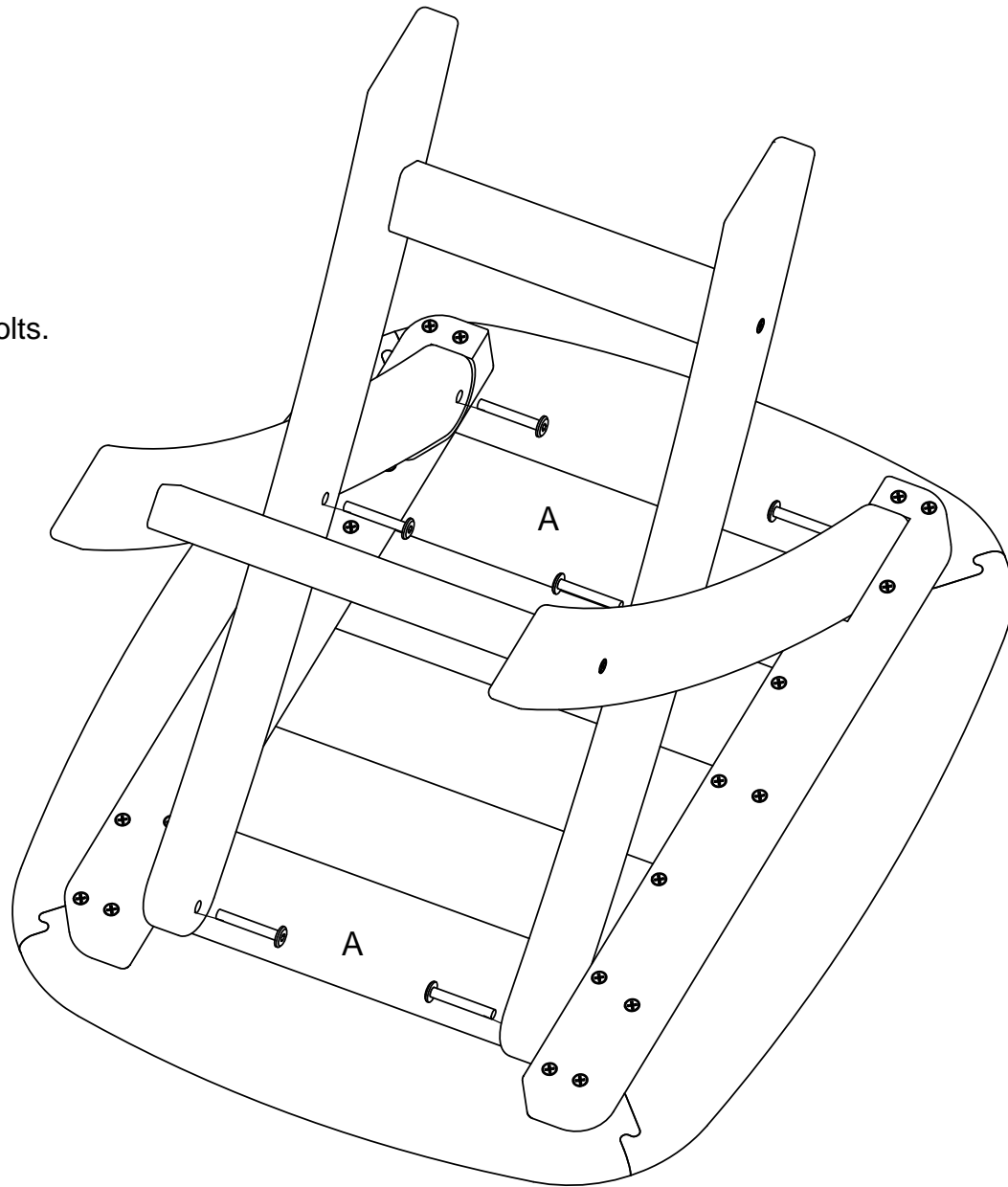
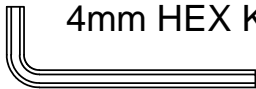
Step 1

Attach legs to table top with (6) 1½" chair bolts.

- (1) Inside leg assembly
- (1) Outside leg assembly
- (1) Table top
- (1) Hardware pack

TOOLS NEEDED

4mm HEX KEY: INCLUDED



Qty.	Description
------	-------------

6

A - 1/4-20 X 1-1/2 WAFER SHCS

