

Model: NCB46

Step 1

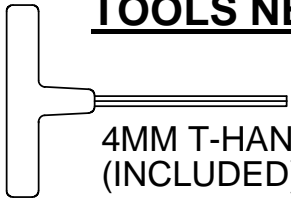
Attach the back leg, seat and back together by using (2) 2½" chair bolts.

Step 2

Attach the footrest assembly using (4) 1¾" chair bolts.

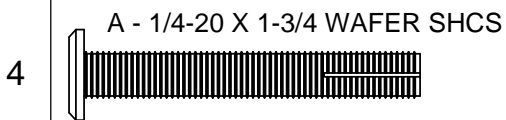
- (1) Chair
- (1) Footrest
- (1) Hardware pack

TOOLS NEEDED

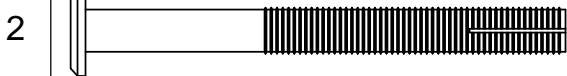


4MM T-HANDLE HEX KEY
(INCLUDED)

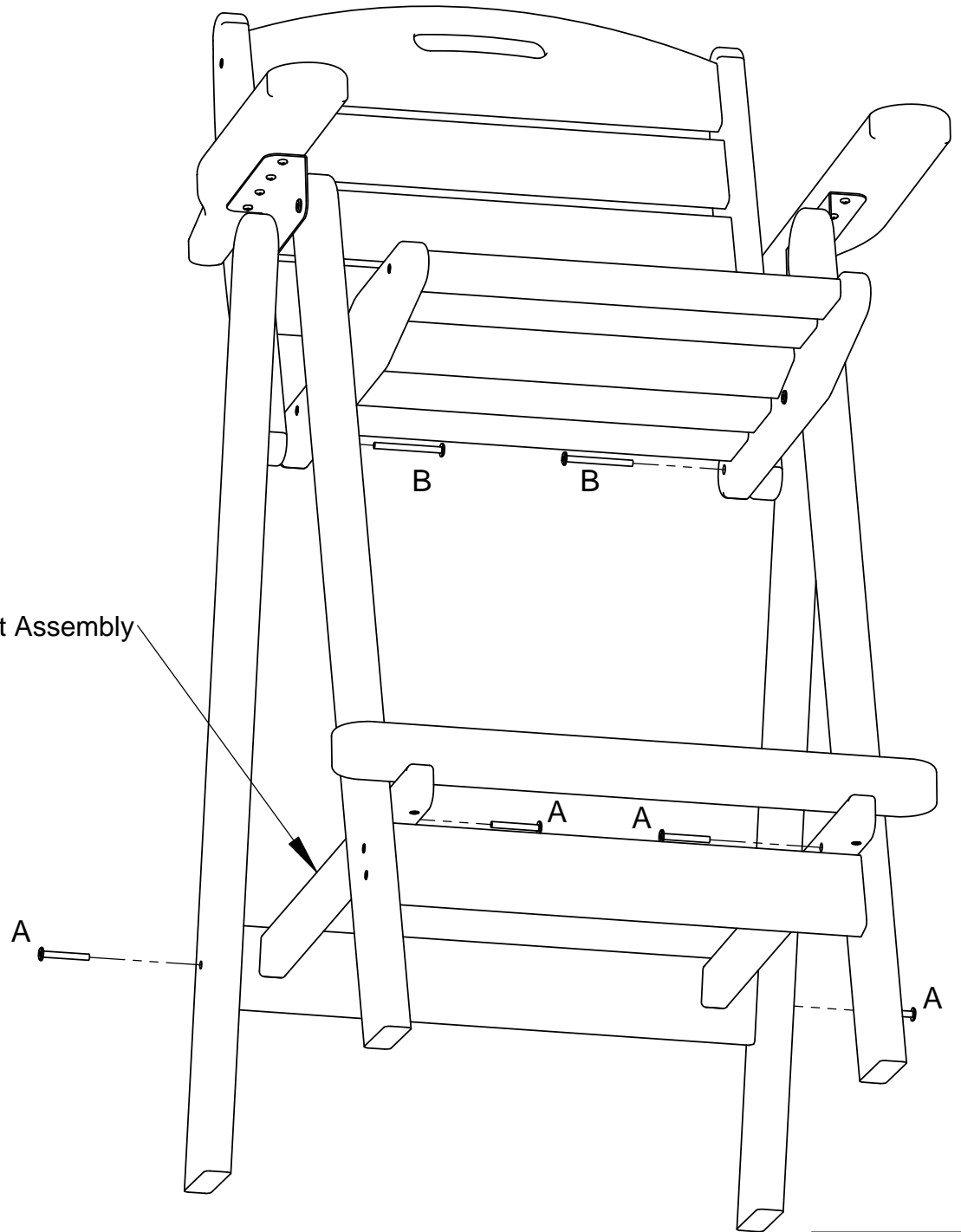
Qty.	Description
4	A - 1/4-20 X 1-3/4 WAFER SHCS
2	B - 1/4-20 X 2-1/2 WAFER SHCS



B - 1/4-20 X 2-1/2 WAFER SHCS



Footrest Assembly



Step 1
Attach feet to legs using (4) 3¼" Chair bolts.

Step 2
Lay table top on flat surface.
Attach the leg assemblies to the table frame using
(8) .27x2½" screw *Do not tighten until last step

Model:
NCT44
NCCT44
NCRT44
NCBT44

- (1) Table top
- (4) Leg
- (2) Foot
- (2) Brace
- (1) Hardware pack

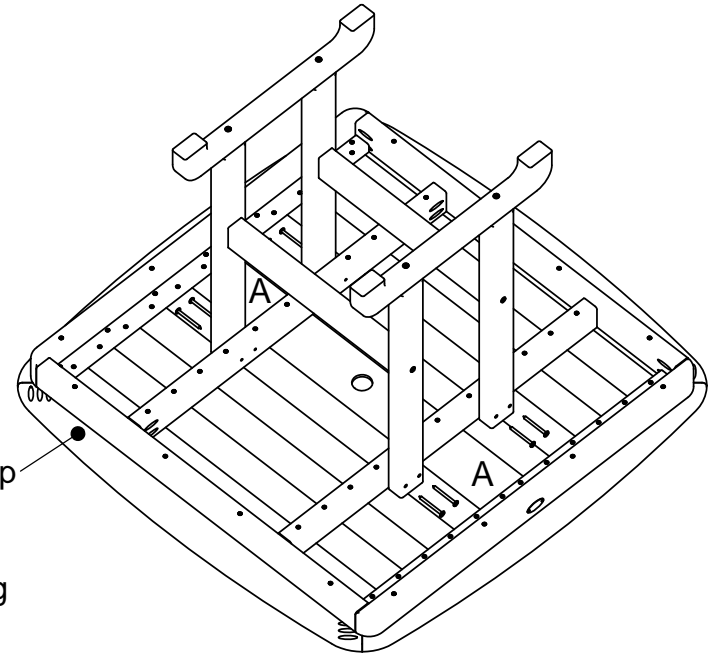
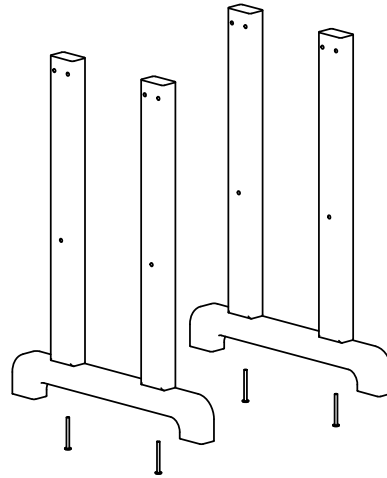
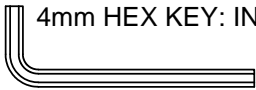


Table Top

Step 3
Attach the leg braces to the leg assemblies using
(4) .27x3" screw

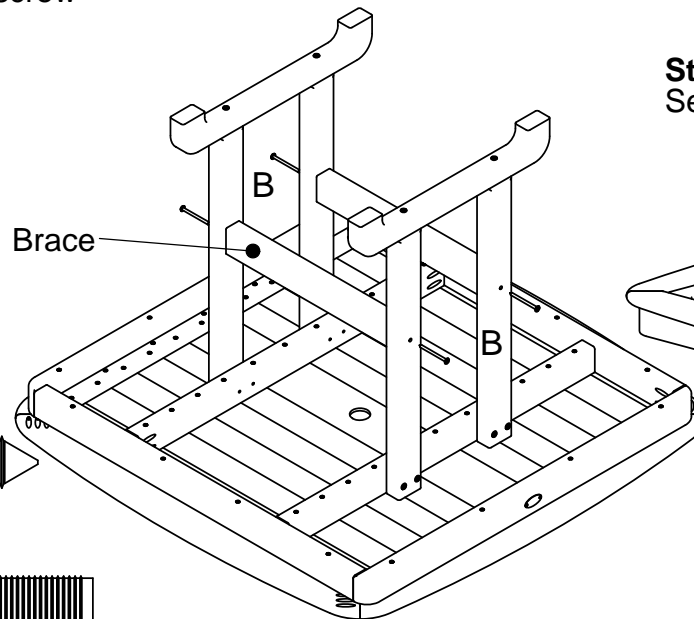
TOOLS NEEDED

4mm HEX KEY: INCLUDED



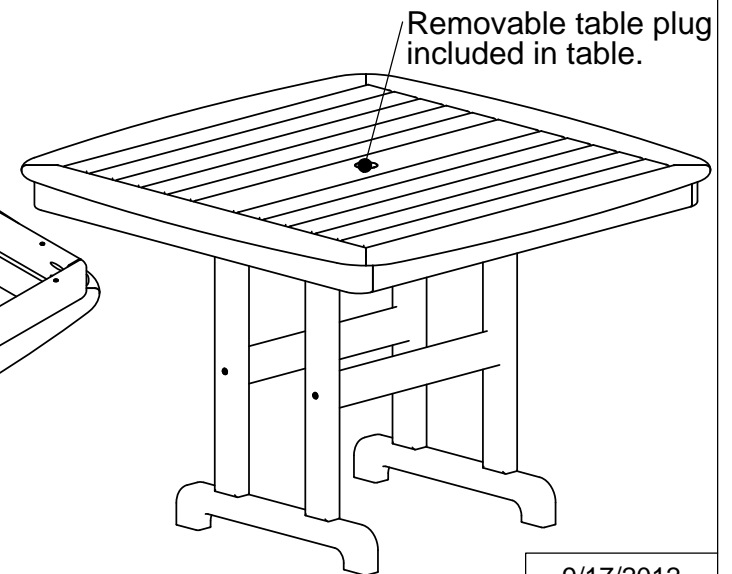
Qty.	Description
------	-------------

8	A - .27 X 2-1/2 SOCKET WAFER A
4	B - .27 X 3 SOCKET WAFER A
4	C - 1/4-20 X 3-1/4 WAFER SHCS



Brace

Step 4
Set table upright and tighten all bolts.



Removable table plug
included in table.