



Intelligent Design™

Model: AD5030, AD5031  
AD6030

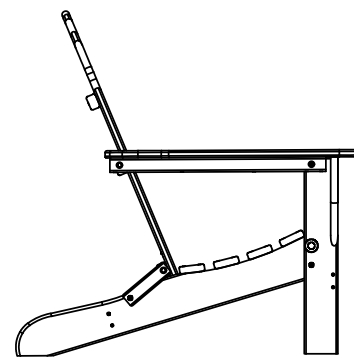
**Step 1**

Unfold chair assembly

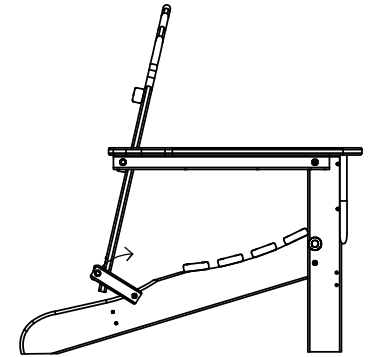
**Step 2**

Insert (2) 2 1/4" bolts, washers and locknuts into pre-drill holes  
Then insert pins

**Step 1**

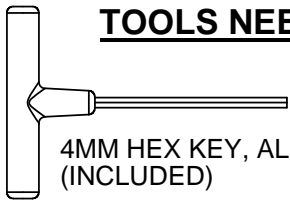


Correct



Incorrect

**TOOLS NEEDED**



4MM HEX KEY, ALLEN, T-HANDLE  
(INCLUDED)

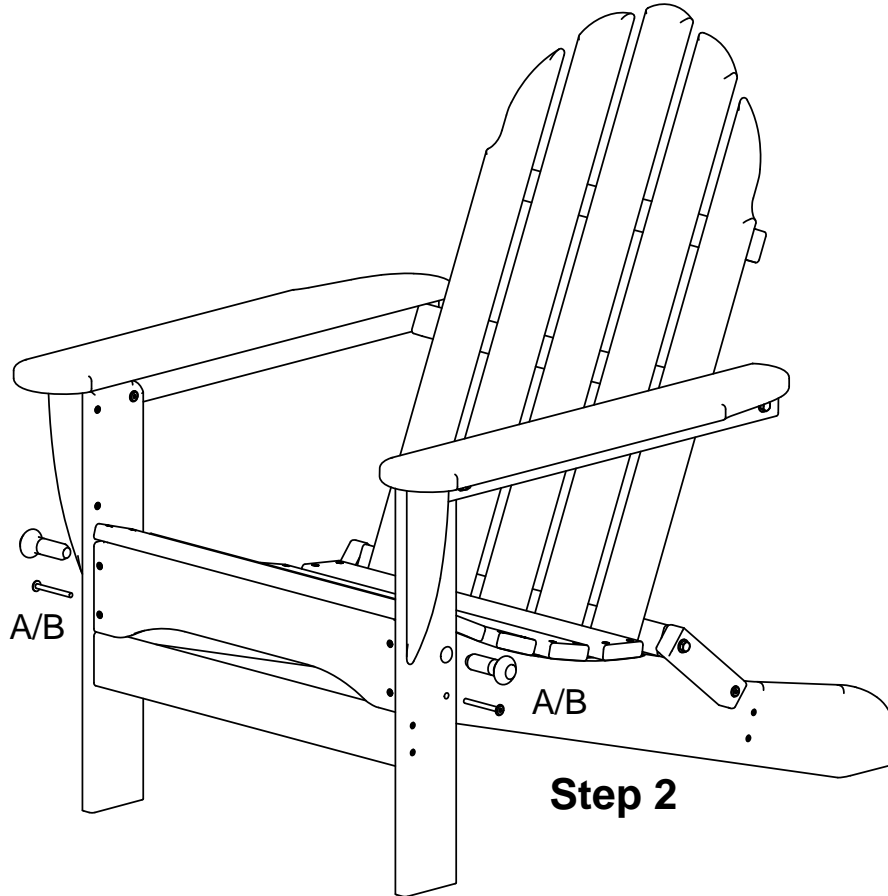
Qty. Description

2 3/4 X 2 ADIRONDACK PIN HDPE

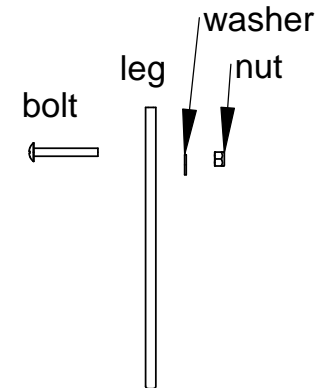
2 A - 1/4-20 X 2-1/4 WAFER SHCS

2 B - 1/4 FLAT WASHER

2 B - 1/4-20 NYLOCK NUT



**Step 2**



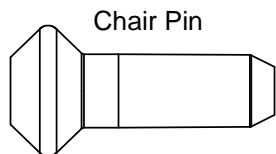
Model: OT53, OT73

- (1) Ottoman assembly
- (1) Hardware pack

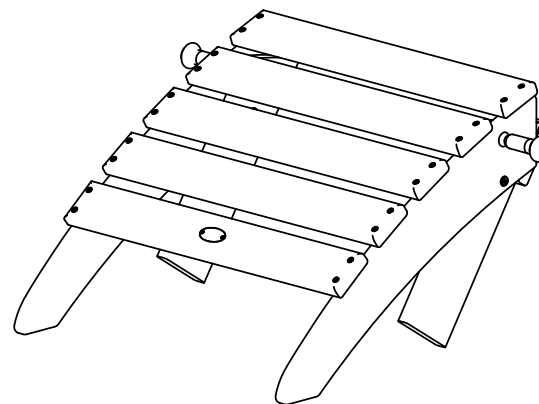
## **NO TOOLS NEEDED**

Qty.	Description
------	-------------

2	Chair Pin
---	-----------



**Step 1**  
Fold legs out of ottoman



**Step 2**  
Insert pins

