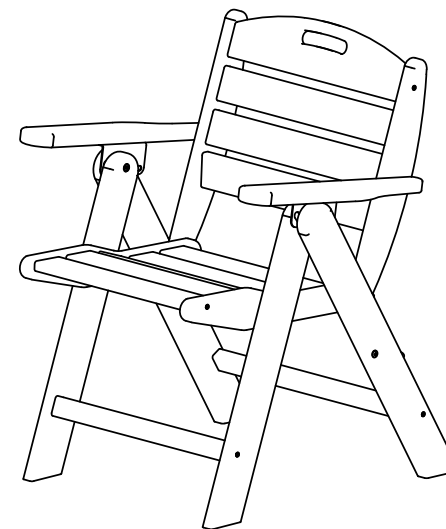
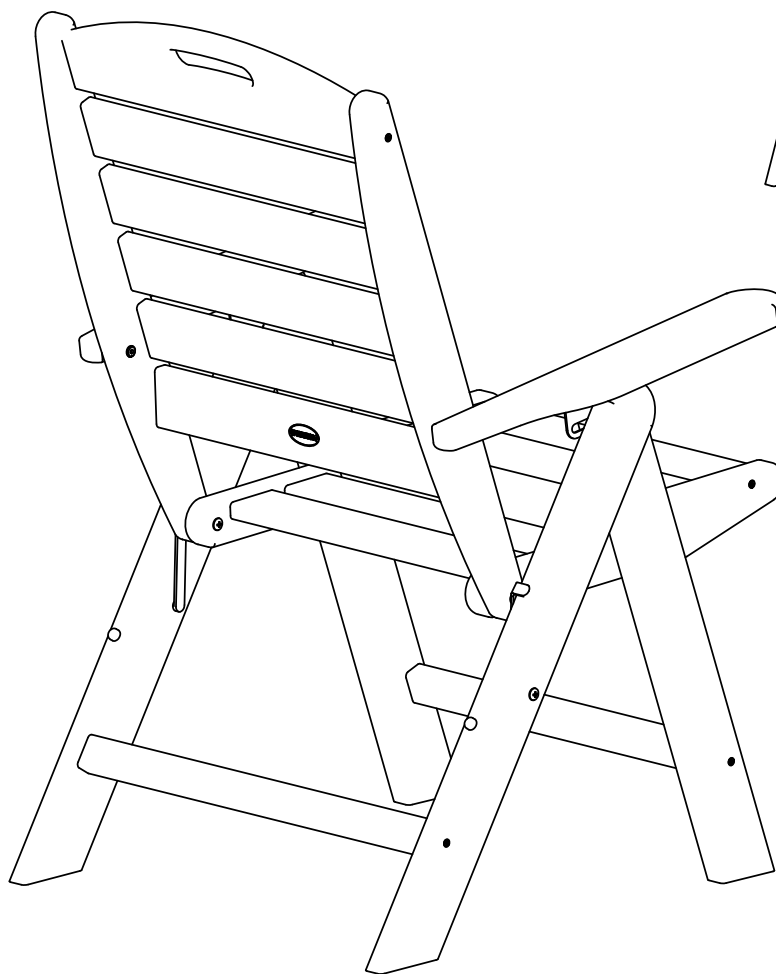




Model: NCH38 and NCL32

FEATURES :

1. NO ASSEMBLY REQUIRED



NCL32

**Step 1**  
Attach feet to legs using (4) 3¼" Chair bolts.

**Step 2**  
Lay table top on flat surface.  
Attach the leg assemblies to the table frame using  
(8) .27x2½" screw \*Do not tighten until last step

**Model:**  
NCT44  
NCCT44  
NCRT44  
NCBT44

- (1) Table top
- (4) Leg
- (2) Foot
- (2) Brace
- (1) Hardware pack

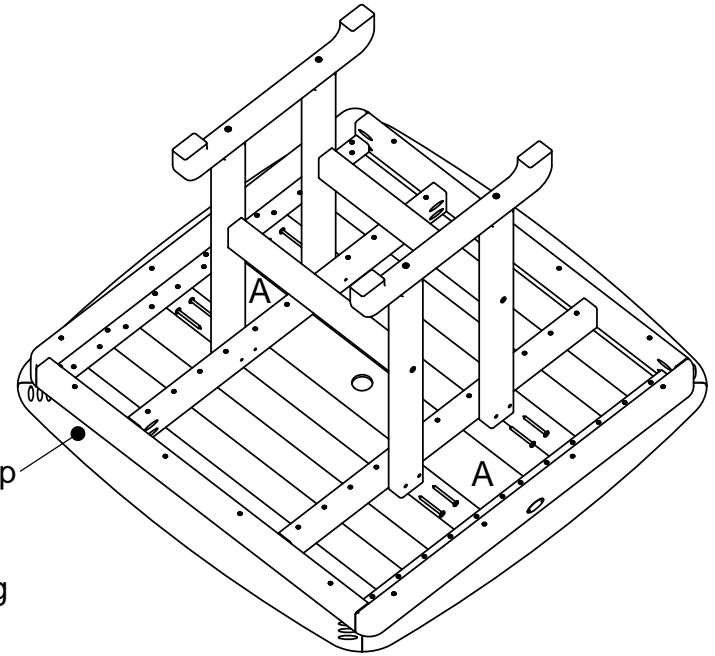
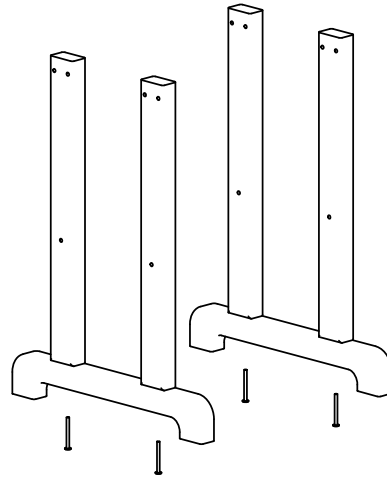


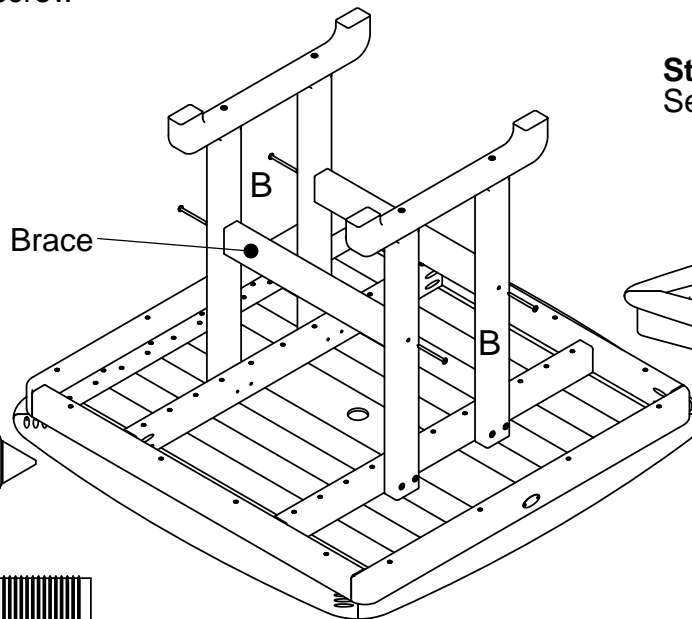
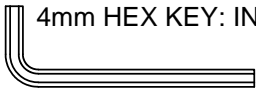
Table Top

**Step 3**  
Attach the leg braces to the leg assemblies using  
(4) .27x3" screw

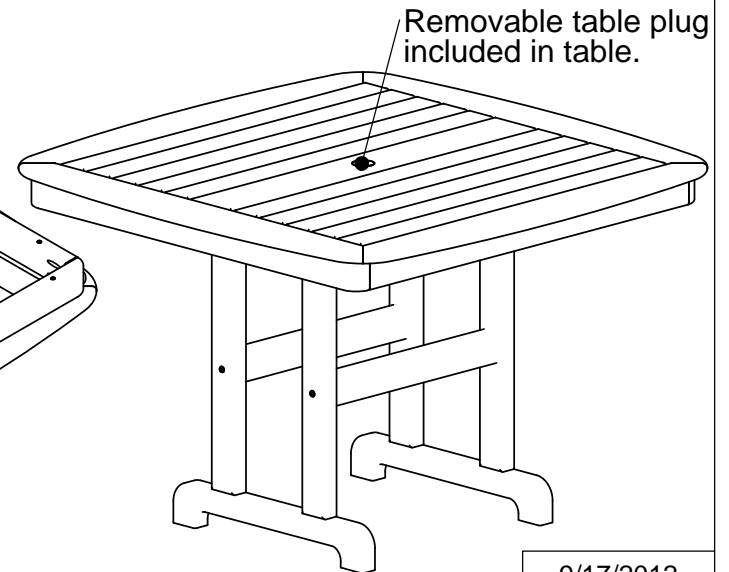
**Step 4**  
Set table upright and tighten all bolts.

## TOOLS NEEDED

4mm HEX KEY: INCLUDED



Brace



Removable table plug  
included in table.

Qty.	Description
8	A - .27 X 2-1/2 SOCKET WAFER A
4	B - .27 X 3 SOCKET WAFER A
4	C - 1/4-20 X 3-1/4 WAFER SHCS