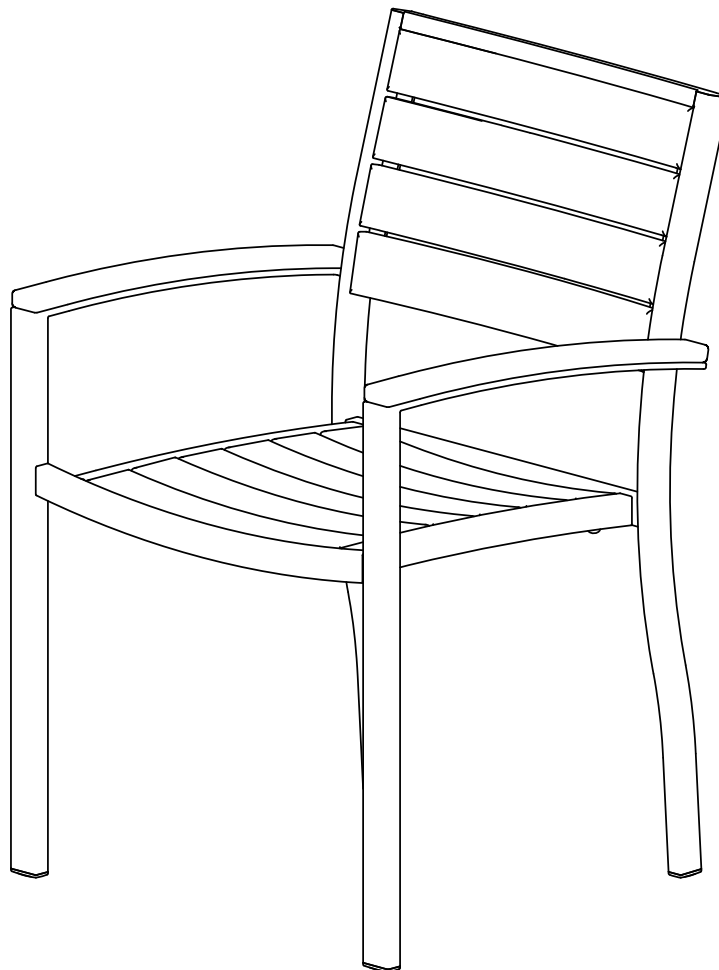


Model: A200

Features

1. No assembly required



Model: AT36, ATR36, ATB36

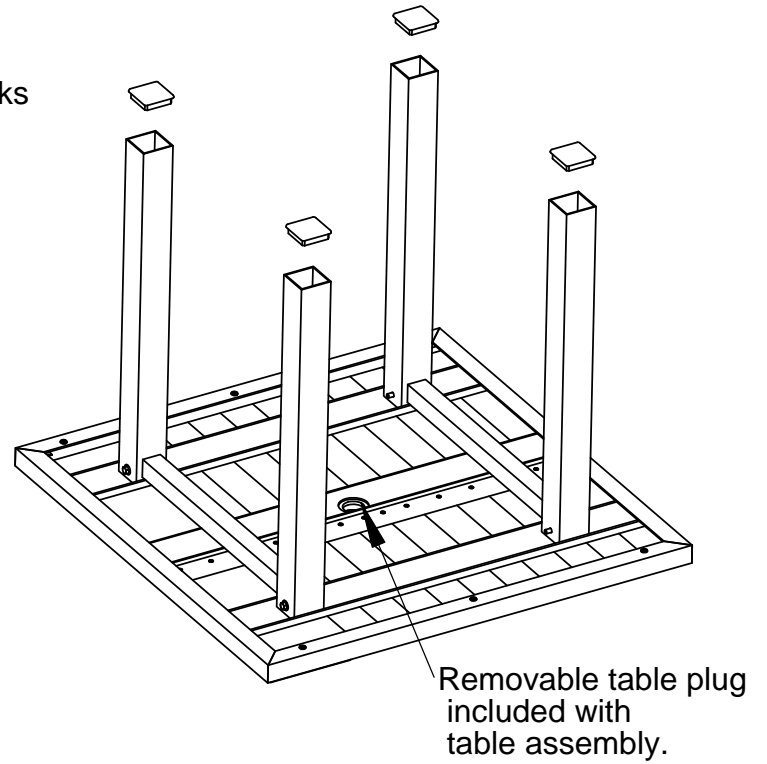
- (1) Table top with slats
- (2) Leg Frames
- (1) Hardware Pack

**TOOLS NEEDED**

(2) 1/2" Sockets or wrenches

Qty.	Description
4	5/16-18 X 3 HEX CAP SCREW
4	5/16-18 NYLOCK NUT
8	5/16 X 3/4 OD FLAT WASHER

**Step 1**  
Slide legs over blocks



**Step 2**  
Attach legs to blocks using hardware configuration shown below

