

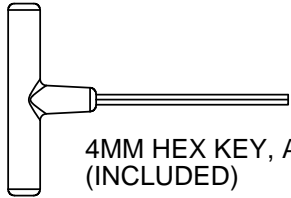


Intelligent Design™

Model: RCT38, RKT38

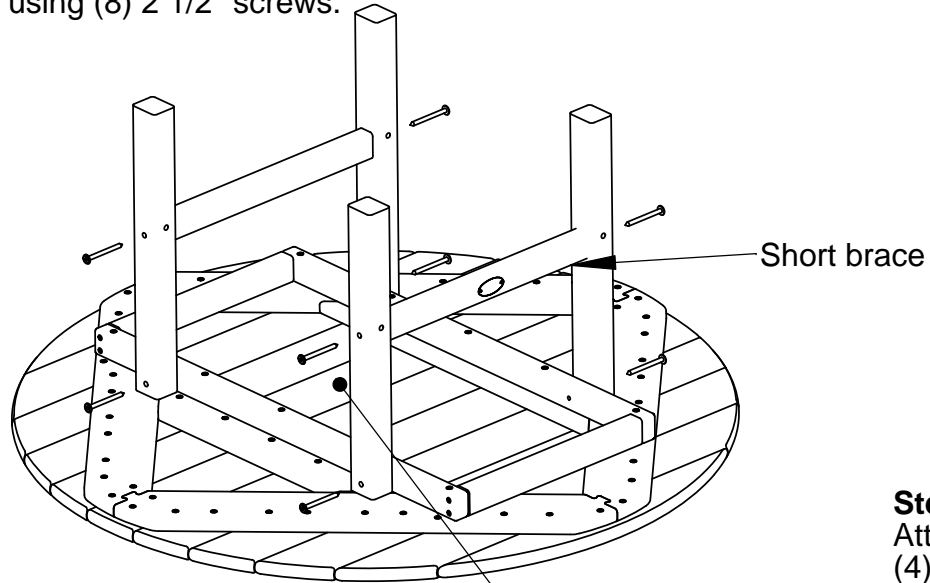
- (1) Table top
- (4) Legs
- (2) Short Brace
- (2) Long Brace
- (1) Hardware pack

TOOLS NEEDED



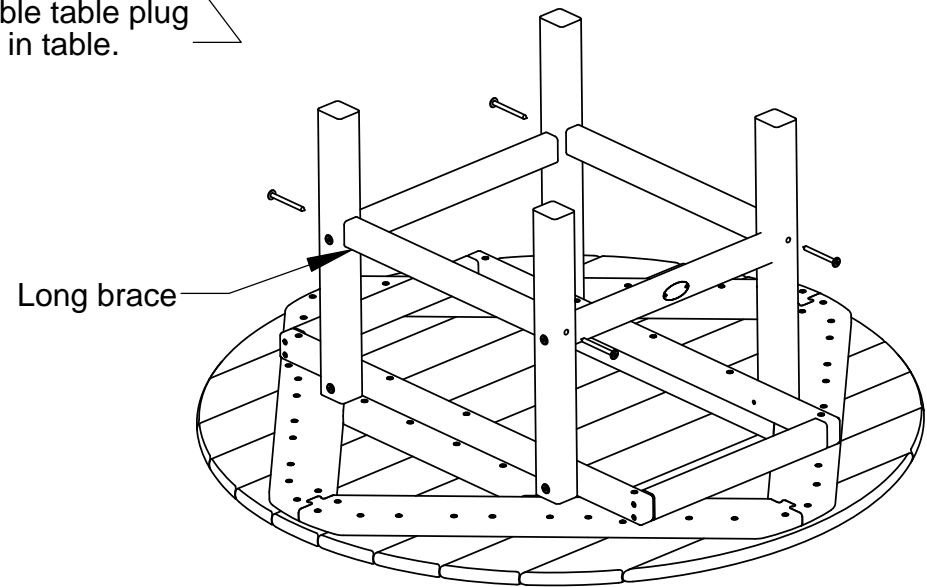
4MM HEX KEY, ALLEN, T-HANDLE
(INCLUDED)

Step 1
Lay table top on flat surface.
Attach legs to table top and braces to legs
using (8) 2 1/2" screws.



Removable table plug
included in table.

Step 2
Attach braces to legs using
(4) 2 1/2" screws.



Qty.	Description
12	.27 X 2-1/2 SOCKET WAFER A

