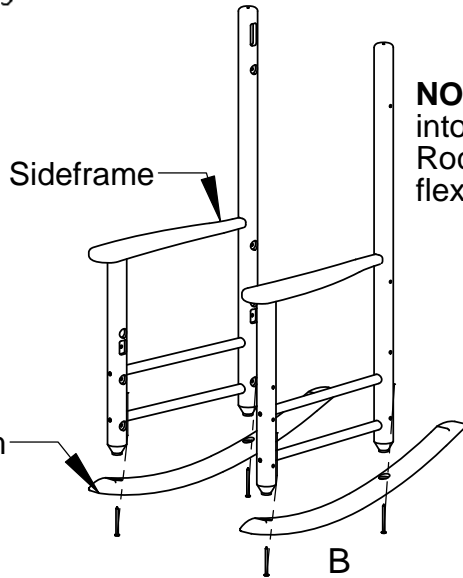


Model: K147

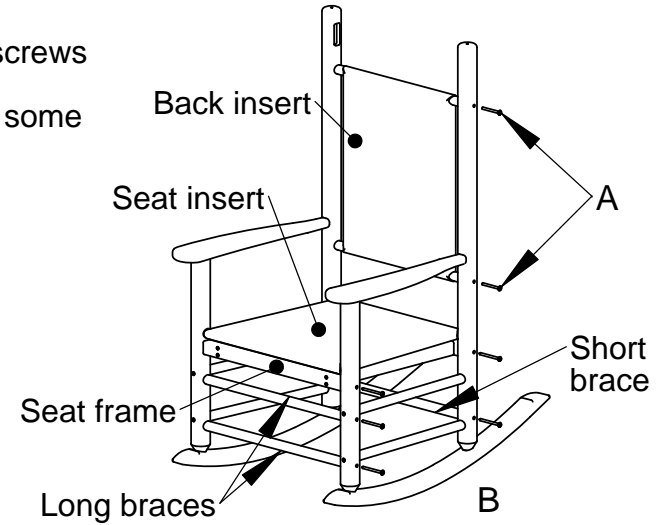
- ___ (1) Hardware pack
- ___ (2) Sideframes
- ___ (2) Rocker bottoms
- ___ (1) Back insert
- ___ (1) Seat insert
- ___ (1) Seat frame
- ___ (2) Long braces
- ___ (1) Short brace
- ___ (1) Head piece



Step 1
Attach rocker bottoms to sideframes using (4) .27x3 wafer screws.

NOTE: Partially thread both screws into post before tightening. Rocker bottoms may require some flexing for proper fit.

Step 2
Attach long braces, short braces, seat frame and seat insert to one of the sideframes using (5) .27x3" chair screws. Attach back insert to sideframe using (2) 2½" chair bolts.
Note: Front of seat is wider

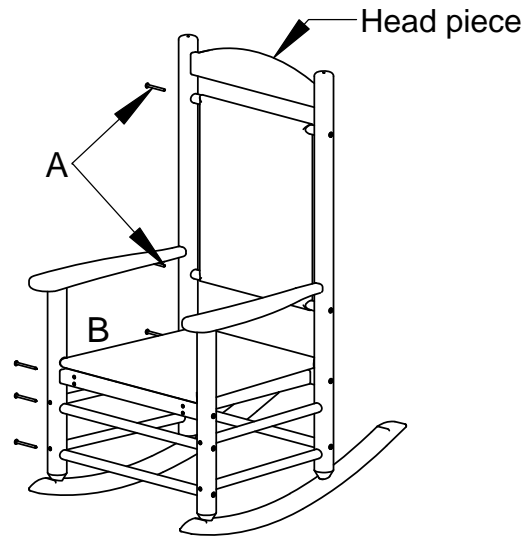


TOOLS NEEDED

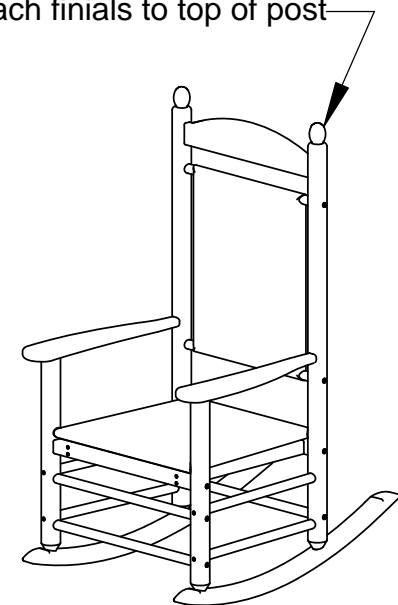


4mm Hex Key for Drill: (INCLUDED)

Step 3
Insert head piece into top of post
Repeat step 2 on other side



Step 4
Attach finials to top of post



Qty.	Description
2	 Finial w/dowel screw
4	 A - 1/4-20 X 2-1/2 WAFER SHCS
14	 B - .27 X 3 SOCKET WAFER A