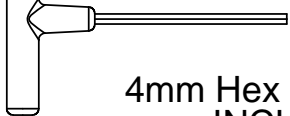


Model: J147

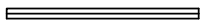
- (1) Hardware pack
- (2) Sideframes
- (2) Rocker bottoms
- (1) Back insert
- (1) Seat insert
- (1) Seat frame
- (2) Long braces
- (1) Short brace
- (1) Head piece

TOOLS NEEDED

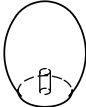
4mm Hex Key, Allen, T-handle
(INCLUDED)




4mm Hex key for drill:
INCLUDED

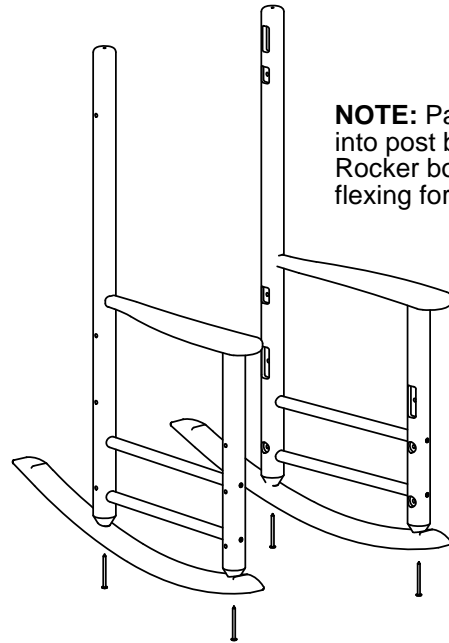


Qty.	Description
------	-------------

2	 Finial w/dowel screw
---	----------------------------------------------------------------------------------------------------------

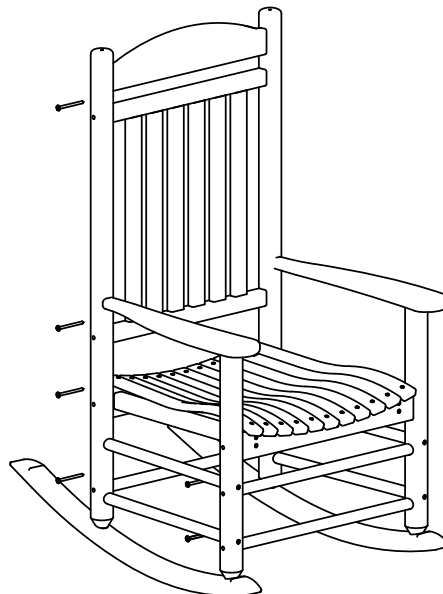
18	 .27 X 3 SOCKET WAFER A
----	------------------------------------------------------------------------------------------------------------

Step 1
Attach rocker bottoms to sideframes using (4) .27x3 wafer screws.

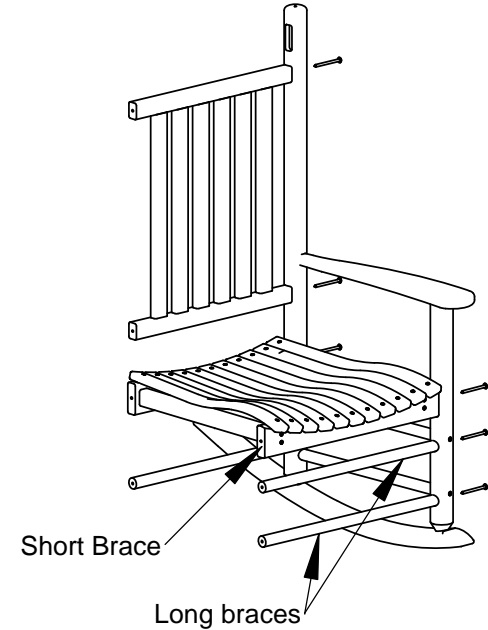


NOTE: Partially thread both screws into post before tightening. Rocker bottoms may require some flexing for proper fit.

Step 3
Insert head piece into top of post
Repeat step 2 on other side



Step 2
Attach long braces, short brace, seat frame and back frame to one of the sideframes using (7) .27x3 wafer screws.
Note: front of seat is wider



Step 4
Attach finials to top of post

