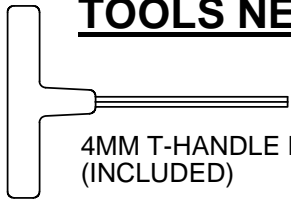


Model: TD201

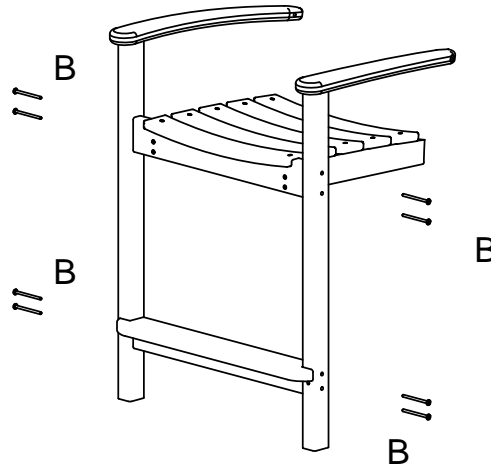
- (1) Seat assembly
- (2) Front leg with arm (LH/RH)
- (1) Back leg assembly
- (1) Foot rest
- (2) Brace (LH/RH)
- (1) Hardware pack

TOOLS NEEDED

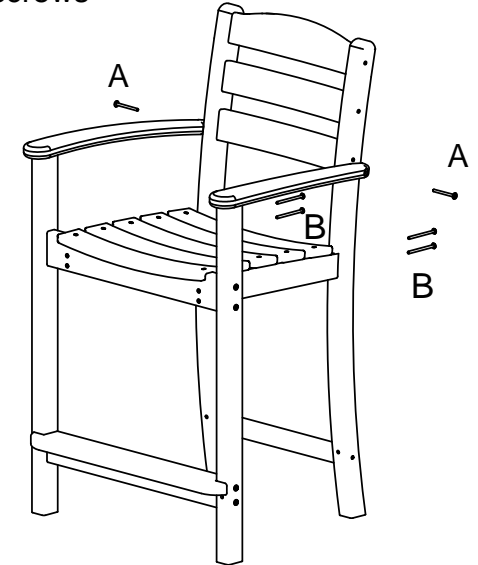


4MM T-HANDLE HEX KEY
(INCLUDED)

Step 1
Attach legs to the seat assembly
and foot rest with (8) 3" screws

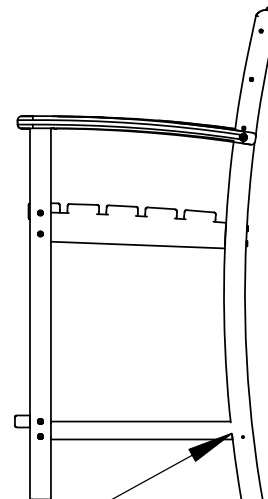


Step 2
Attach arms to back leg assembly
using (2) 2½" screws
Attach back leg assembly to seat assembly
using (4) 3" screws

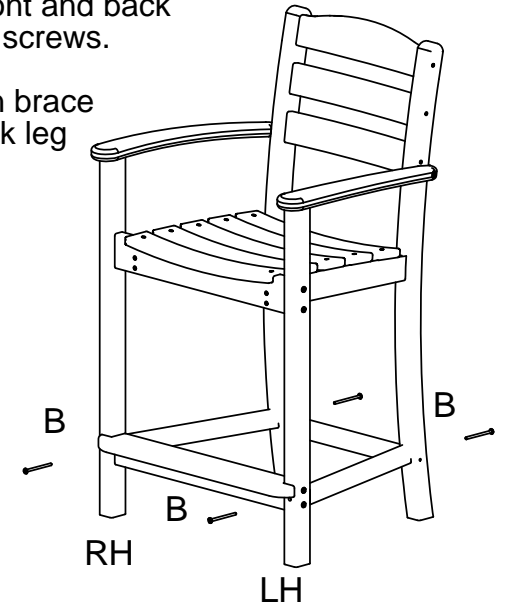


Step 3
Attach braces between the front and back
legs with the remaining (4) 3" screws.

Note: Compound angle cut on brace
should be attached to the back leg



COMPOUND ANGLE, LONG
EDGE ON THE BOTTOM

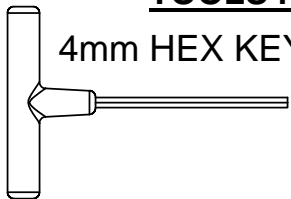


Qty.	Description
2	A - .27 X 2-1/2 SOCKET WAFER "A"
16	B - .27 X 3" SOCKET WAFER "A"

Models: RT248, RCT248, RRT248, RBT248
RT348, RCT348, RRT348, RBT348

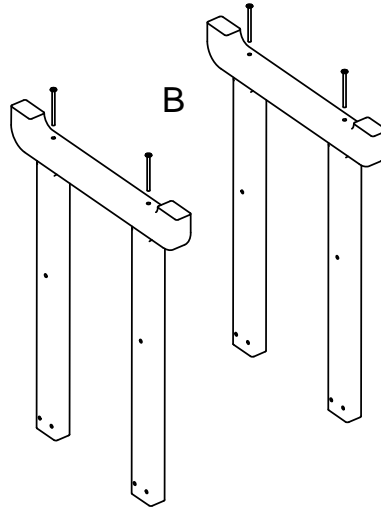
- (1) Table top
- (4) Leg
- (2) Foot
- (2) Brace
- (1) Hardware pack

TOOLS NEEDED

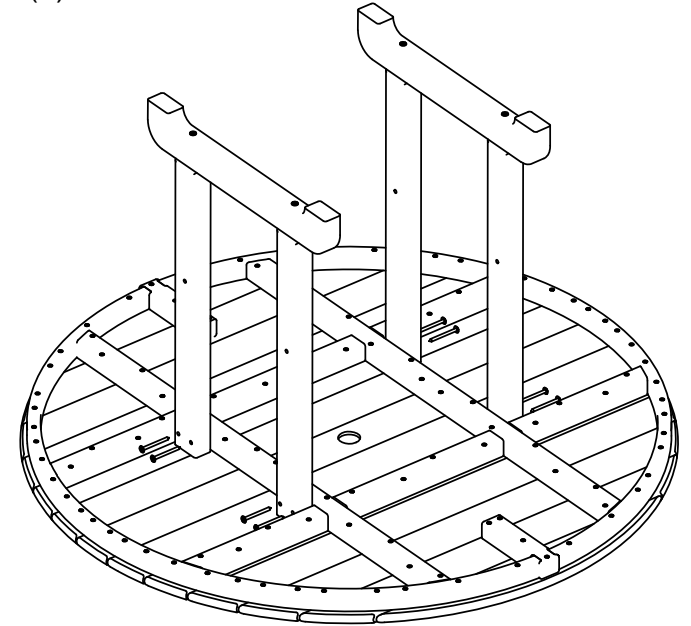


4mm HEX KEY: INCLUDED

Step 1
Attach feet to legs using
(4) 3 1/4" Chair bolts.

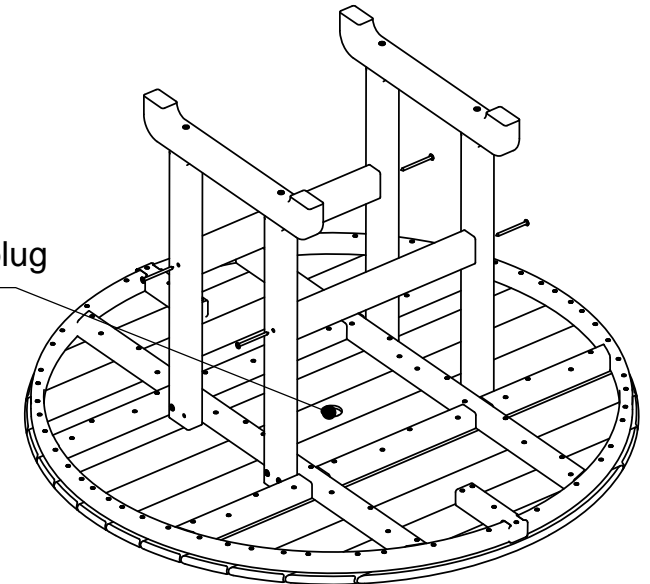


Step 2
Lay the table top on a flat surface.
Attach the leg assemblies to the table top using
(8) 3" screws.



Step 3
Attach leg braces using
(4) 3" screws.

Set table upright and tighten all bolts



Qty.	Description
12	A - 14 X 3 SOCKET WAFER "B"
4	B - 1/4-20 X 3-1/4 WAFER SHCS FINE THREAD