



Model: CCB30

Intelligent Design™

Step 1

First remove the bolts used for shipping
Then attach Foot rest and braces to sideframes using
(8) 2¼" Chair bolts.

Step 2

Attach seat to sideframes using (8) 1-3/4" Chair bolts.
Note: seat overhangs slightly in front

Step 3

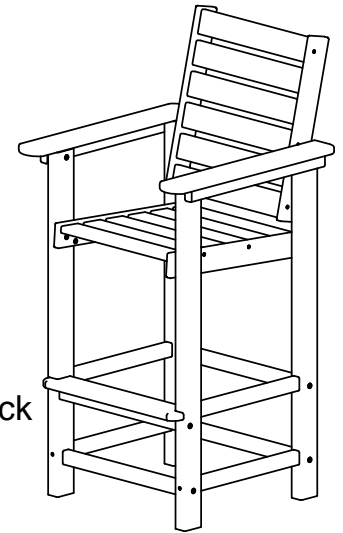
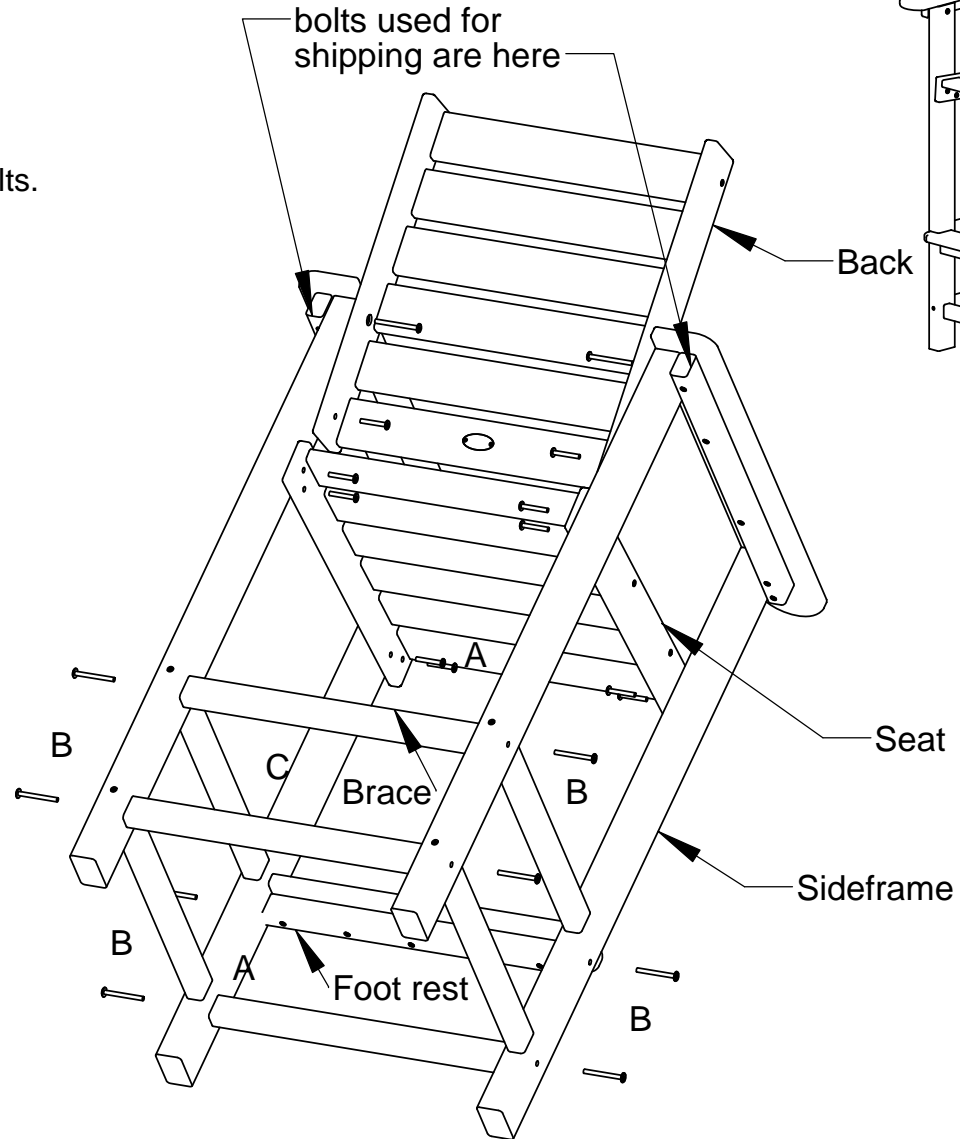
Attach back to sideframes using
(2) 1-3/4" Chair bolts and (2) 2½" Chair bolts.

- ___ (1) Seat
- ___ (1) Back
- ___ (2) Sideframe
- ___ (1) Foot rest
- ___ (3) Brace

TOOLS NEEDED



4mm HEX KEY, ALLEN, T-HANDLE
(INCLUDED)



Qty. Description

10 A - 1/4-20 X 1-3/4 WAFER SHCS



8 B - 1/4-20 X 2-1/4 WAFER SHCS



2 C - 1/4-20 X 2-1/2 WAFER SHCS

