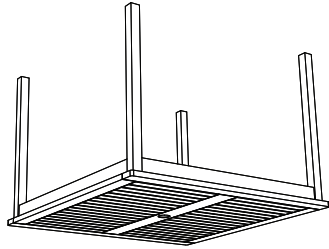


ITEM - CP42TA  
42" CAPRI TABLE



OXFORD GARDEN

### About Acacia Wood

Acacia is a plantation grown hardwood, high in oil content. It is resistant to weather, rotting, and bug infestation.

### Wood Care Instruction

A seasonal cleaning may be desired. This can be done easily with a mild solution of water, laundry detergent and a little bleach. Just rinse the furniture and using a sponge or soft bristle brush scrub the furniture with the solution. Lastly, rinse the furniture with fresh water. Although Acacia weathers well we recommend a routine application of Cabot's Australian Timber Oil in umber brown in extremely dry climates. A routine oiling is also recommended for furniture to be used for dining purposes to discourage staining from food and drink spills.

To restore the original wood color, Oxford Garden suggests applying Cabot's Australian Timber Oil in brown umber (available through Oxford Garden) after cleaning. Paint or any products with polyurethane are not recommended, as application of these products will void the warranty.

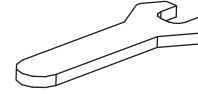
For additional information regarding our warranty, please visit [www.oxfordgarden.com](http://www.oxfordgarden.com)

## Assembly Instructions page 1

## 42" Capri Table

### Tools (included)

Hex Head Wrench  
QUANTITY: 1



### Hardware

**A** Metal Washers  
QUANTITY: 8

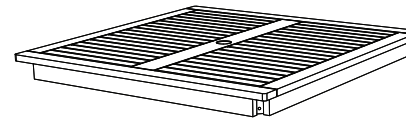


**B** Hex Nuts  
QUANTITY: 8

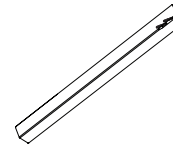


### Components

**1** Table Top Assembly  
QUANTITY: 1



**2** Corner Posts  
QUANTITY: 4

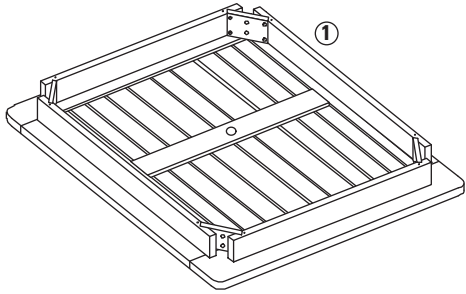


**3** Parasol Hole Cap  
QUANTITY: 1



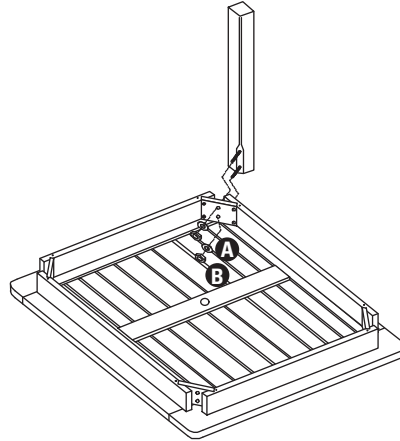
**Step 1**

On a clean flat surface, lay table ① top upside down.



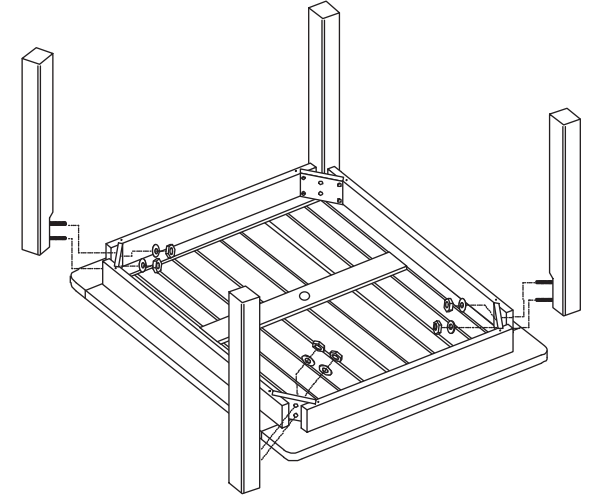
**Step 3**

Secure corner post to the table top using a metal washer **A** and hex nut **B**.



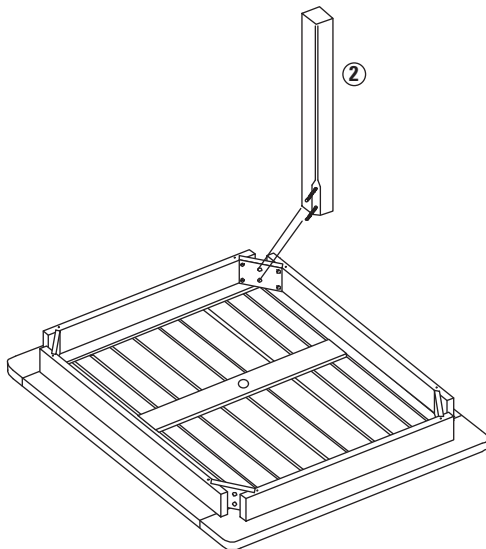
**Step 4**

Repeat steps 2 and 3 for the remaining 3 corner posts.

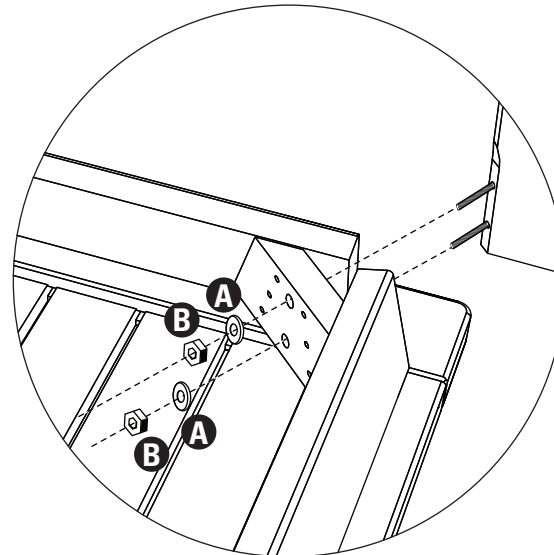


**Step 2**

Insert the threaded rods on one corner post ② into holes located on one corner of table top.



**Step 3 (detail)**



**Step 5**

Carefully turn the assembled dining table in an upright position.

