



*Roaster Oven*

READ BEFORE USE

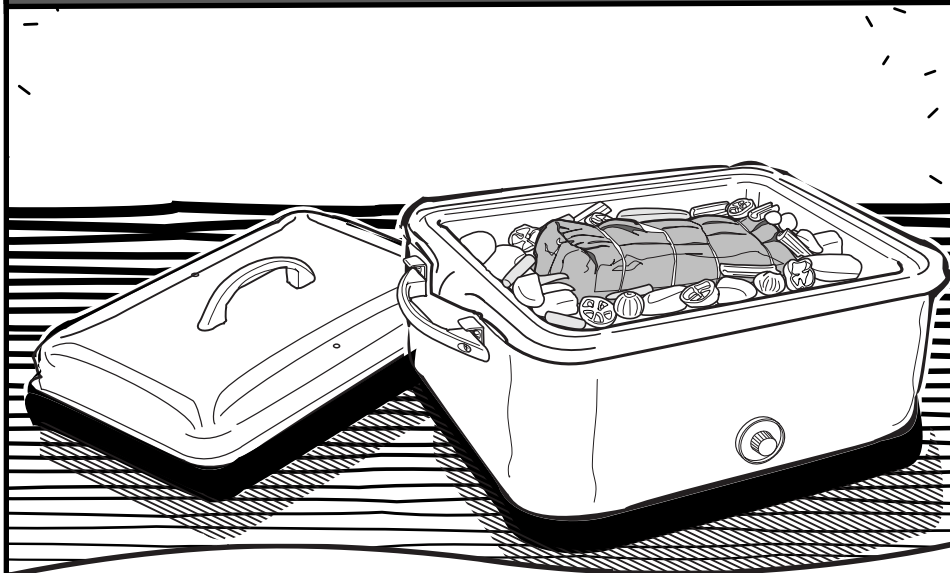
*Rôtissoire*

LIRE AVANT L'UTILISATION

*Horno Asador*

LEA ANTES DE USAR

Le invitamos a leer cuidadosamente este instructivo antes de usar su aparato.



<b>English.....</b>	<b>2</b>
<b>USA: 1-800-851-8900</b>	
<b>Visit <a href="http://proctorsilex.com">proctorsilex.com</a> for delicious recipes and to register your product online!</b>	
<b>Français .....</b>	<b>11</b>
<b>Canada : 1-800-267-2826</b>	
<b>Consulter <a href="http://proctorsilex.ca">proctorsilex.ca</a> pour des recettes délicieuses et pour enregistrer votre produit !</b>	
<b>Español .....</b>	<b>21</b>
<b>México: 01 800 71 16 100</b>	
<b>Visite <a href="http://proctorsilex.com">proctorsilex.com</a> para recetas deliciosas y para registro de su producto en línea.</b>	

## WARNING

### Shock Hazard

- Do not immerse this appliance in water or other liquid.
- This appliance has a polarized plug (one wide blade) that reduces the risk of electrical shock. The plug fits only one way into a polarized outlet. Do not defeat the safety purpose of the plug by modifying the plug in any way or using an adaptor. If the plug does not fit, reverse the plug. If it still does not fit, have an electrician replace the outlet.

## IMPORTANT SAFEGUARDS

When using electrical appliances, basic safety precautions should always be followed, including the following:

1. Read all instructions.
2. Do not touch hot surfaces. Use handles or knobs.
3. Use oven mitts to remove the Insert Pan or Rack from the roaster oven; or to remove a baking pan or cooked food from the insert pan.
4. To protect against electrical shock do not immerse roaster base, cord, or plug in water or other liquid.
5. Close supervision is necessary when any appliance is used by or near children.
6. Unplug from outlet when not in use and before cleaning. Allow to cool before putting on or taking off parts and before cleaning.
7. Do not operate any appliance with a damaged cord or plug, or after the appliance malfunctions or has been dropped or damaged in any manner. Call our toll-free customer service number for information on examination, repair, or adjustment.
8. The use of accessory attachments not recommended by the appliance manufacturer may cause injuries.
9. Do not use outdoors.
10. Do not let cord hang over edge of table or counter, or touch hot surfaces, including the stove.
11. To disconnect, turn any control to "Off" then remove plug from wall outlet.
12. Do not place on or near a hot gas or electric burner, or in a heated oven.
13. Extreme caution must be used when moving an appliance containing hot oil or other hot liquids.
14. Steam escaping from under lid is hot and can burn.
15. Do not use without the insert pan specifically designed for this model.
16. Do not use appliance to melt wax or any other non-food use.
17. Do not allow flammable materials such as curtains, draperies, walls, cabinets, backsplashes and the like to touch any part of the roaster oven while it is in operation.
18. Do not use appliance for other than intended use.

## SAVE THESE INSTRUCTIONS!

### Other Consumer Safety Information

**This roaster oven is not intended for commercial, professional, or industrial-type usage. This roaster oven is designed only for cooking food. It should not be used for heating non-food products such as melting wax. This appliance is designed, built, and intended for household use only.**

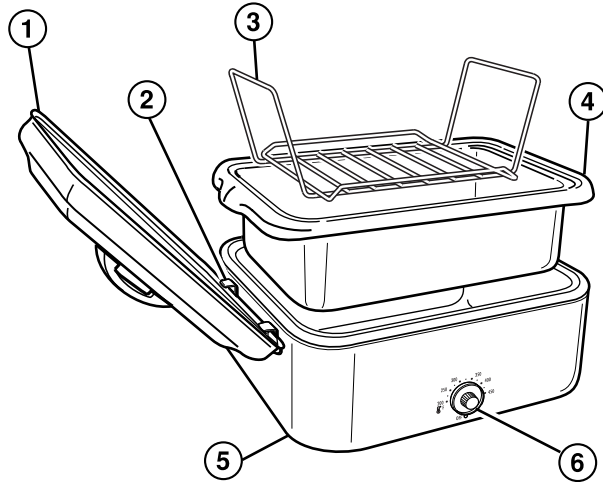
The length of the cord used on this appliance was selected to reduce the hazards of becoming tangled in, or tripping over a longer cord. If a longer cord is necessary an approved extension cord may be used.

The electrical rating of the extension cord must be equal to or greater than the rating of the roaster oven. Care must be taken to arrange the extension cord so that it will not drape over the countertop or tabletop where it can be pulled on by children or accidentally tripped over.

# Parts & Features

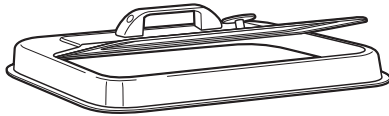
**IMPORTANT! PLEASE READ THIS BOOK! THE ROASTER OVEN COOKS SOME FOODS FASTER THAN A CONVENTIONAL OVEN.**

- 1. Lid
- 2. Lid Holders  
(select models only)
- 3. Rack
- 4. Removable Insert Pan
- 5. Base
- 6. Temperature Control

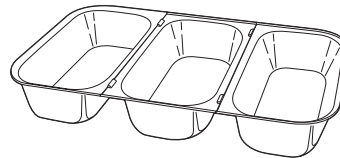


## Optional Accessories

**Buffet Lid**



**Buffet Pans**



### TURN YOUR ROASTER OVEN INTO A BUFFET WARMER/SERVER

**Buffet Pans (model 32508)**

- 3 serving pans keep food warm
- 2-quart (2 L) capacity each
- Enamel-coated, dishwasher safe
- Compact storage

**Buffet Lid (model 990023100)**

- Provides easy access to food when basting or serving

To order in the U.S.: Call 1-800-455-7213

To order in Canada: Call 1-800-267-2826

## Tips for Using Your Roaster Oven

**BEFORE FIRST USE:** Wash the insert pan, rack, and lid before using. During the first use of the roaster oven, some smoke and odor may be noticed. The smoke and odor should not occur after this first heating of the oven.

- Before baking or roasting in the roaster oven, make sure the pan or dish you plan to use will fit by placing it in the insert pan. Most heat-resistant glass casserole dishes fit in the roaster oven.
- The insert pan must always be used when cooking in the roaster oven (except when using buffet pans). If cooking large quantities of soups or stews, the insert pan may be used as the cooking pan in the roaster base. It may also be used as a large roasting pan in the roaster base.
- Do not use the insert pan as a baking pan or casserole dish for cakes, breads, or casseroles. A separate pan must be placed in the insert pan when cooking these foods.
- Baking pans and casserole dishes should be placed on the rack for best heat circulation. If necessary, the rack can be removed to fit a large roasting pan or two casseroles in roaster oven.
- Foil oven roasting bags can be used in the roaster oven. We do not recommend using plastic oven roasting bags in the roaster oven.
- Do not remove the lid of the roaster oven unless necessary. Removing the lid allows heat to escape and affects the temperature of the roaster oven.

### *Pan Sizes!*

**Following are pan sizes which will fit in the roaster oven:**

- One 9 x 13-inch (23x33 cm) baking or 10 x 14-inch (26x35 cm) roasting pan
- Two 9 x 5-inch (23x13 cm) or 8 x 4-inch (20x20 cm) loaf pans
- One tube or bundt pan

## Using Your Roaster Oven

1. Make sure temperature control is turned to OFF. Plug cord into 120 volt AC outlet.
2. Remove rack. Leave insert pan in roaster oven.
3. Set temperature control to desired setting and let preheat 15 minutes with lid on.
4. Place food to be cooked in a pan on the rack (or directly in the insert pan). Then place rack in oven and replace the lid.
5. When finished cooking, remove lid. Wearing oven mitts, remove food by using the rack.
6. Turn temperature control to OFF and unplug roaster oven.

### **NOTE:**

- The insert pan should always be placed in the roaster base when cooking (except when using buffet pans).

### **CAUTION**

- Escaping steam may cause burns.
- Use hot mitts to protect hands when removing insert pan, rack, baking pan or cooked food.

## Roasting Meats and Poultry

- We recommend the use of a meat thermometer to assure perfectly cooked roasts and poultry every time. If using a meat thermometer, the meat or poultry should be removed from the roaster oven when the thermometer reading is 5 to 10 degrees below the desired temperature. The internal temperature will continue to rise after the meat has been removed from the roaster oven.
- Most hams sold today are labeled as “Cook Before Eating” or “Fully Cooked.” Ham labeled “Cook Before Eating” has been smoked or cured but NOT cooked. This ham must be thoroughly cooked to an internal temperature of 155 to 160°F (68 to 71°C). The “Fully Cooked” hams have been smoked or cured and already cooked. The ham does not require further cooking, but heating to 140°F (60°C) improves the flavor.
- The roaster oven cooks turkeys in less time than conventional ovens. A 14 to 18 pound (6.3-8.1 kg) unstuffed turkey will cook in approximately 2½ hours. **A turkey cooked in the roaster oven is moist and juicy, but does not brown.** If you want turkey with browned skin, please use the Turkey Browning Sauce in the “Recipe” section.
- The Roasting Chart lists cooking times for tender cuts of meat that are usually dry-roasted. These roasts are from the rib or sirloin area. To tenderize cuts from the leg (ham) or shoulder/chuck area, cook in liquid for a longer period of time.
- Times indicated are approximate and should be used only as a general guideline. Individual cuts of meat and personal preference may dictate longer or shorter roasting times.

## Roasting Chart

FOOD	WT. LBS WT. KGS	MEAT THERM.	COOK TIME (18 qt./325°F) (18 L/160°C)	COOK TIME (22 qt./325°F) (22 L/160°C)
<b>Whole Turkey</b>	14-18 lbs 6.3-8.1 kgs	180°F/82°C	2 to 3 hours	2 to 3 hours
<b>Whole Turkey</b>	19-24 8.5-10.8	180°F/82°C	N/A	2 to 3 hours
<b>Turkey Breast</b>	5-7 2.25-3.15	180°F/82°C	1½ hours	1½ hours
<b>Roasting Chicken</b>	6-8 2.7-3.6	180°F/82°C	1 to 1½ hours	1 to 1½ hours
<b>Beef Roast</b>	5-7 2.25-3.15	160°F/71°C (med.)	2½ hours	2½ hours
<b>Fresh Pork Roast</b>	5-7 2.25-3.15	160°F/71°C (med.)	2 hours	2 hours
<b>Picnic Shoulder Ham</b> (Fully Cooked)	7-10 3.15-4.5	140°F/60°C	2 to 3 hours	2 to 3 hours
<b>Whole Ham</b> (Fully Cooked)	15-18 6.75-8.1	140°F/60°C	2 to 3 hours	2 to 3 hours

**NOTE:** Large turkeys with very tall or deep chest cavities might have difficulty fitting under the buffet lid.

## Baking

The roaster oven can bake your favorite cakes, pies, breads, or casseroles like a conventional oven. Pans and dishes should be placed on the rack for best heat circulation. Using the rack is also recommended for convenience in removing hot dishes and pans from the roaster oven.

Do not remove the lid of the roaster oven unless necessary. Removing the lid allows heat to escape and effects the temperature of the roaster oven.

## Steaming

Preheat roaster oven to 450°F (230°C). To steam in the roaster oven, you will need a metal colander. Place rack in the insert pan. Place insert pan in roaster oven. Pour 1 quart (1 L) boiling

water into the insert pan. Place food to be steamed in the colander and place colander in insert pan. Cover and steam according to the following times or until desired doneness.

ITEM TO STEAM	AMOUNT OF TIME
2 cauliflower heads, cut up	10 minutes
2 bunches of broccoli, cut up	10 minutes
2 pounds (900 g) shrimp	10 minutes

## Warming Rolls, Biscuits, etc.

Preheat roaster oven to 250°F (120°C). You will need two small ovenproof containers to hold water. Emptied and washed food cans are perfect. Fill the cans two-thirds full with hot water and place in opposite corners of the insert pan.

Stack rolls, biscuits, or pancakes in insert pan. Do not let them touch sides of pan. Cover and keep warm up to one hour.

## Quantity Cooking

The insert pan may be used as a large cooking utensil when cooking or heating large quantities. It may be used to simmer sauces, soups, or stews, or simply to heat or warm large quantities. When cooking or heating soups or stews in the roaster oven, stir occasionally for quicker, even heating.

For example, set the temperature control at 400°F (200°C) and the roaster oven will warm vegetable beef soup from refrigerated temperature to serving temperature in about two hours. To cook soups, stews, or sauces, set the temperature control on 225°F (110°C) and allow 4 to 8 hours to simmer, depending on recipe.

# Cleaning

## How to Clean Your Roaster Oven

1. Turn temperature control to OFF. Unplug roaster oven from outlet and let cool.
2. Wash cover, rack, and insert pan in hot, soapy water. To remove burned-on food, let soak, then scrub with a nylon scouring pad. Rinse in hot water, then dry.
3. Wipe the inside of the roaster base with a damp cloth.
4. Wipe the outside of the roaster oven with a damp, soapy cloth; then dry.

**NOTE:** Discoloration of the lid may occur if washed in the dishwasher.

### **WARNING**

#### **Electrical Shock Hazard**

- Disconnect power before cleaning.
- Do not immerse cord, plug or base in any liquid.

Failure to follow these instructions can result in death or electrical shock.

# Roaster Oven Recipes

Unless otherwise instructed, preheat roaster oven for 15 minutes to the temperature stated in the recipe.

If recipe calls for the use of a baking pan or dish, take the rack out of the oven. Preheat oven to desired temperature. Then place pan on the rack and then place both into the roaster oven. Bake as instructed in the recipe. The rack makes it easier to place or remove pans or dishes in the hot roaster oven.

**NOTE:** To use the buffet pans (available with select models only) for serving, all recipes must be cooked in the roaster oven, then placed in the buffet pans to keep warm and serve.

## Cooking Recipes

### Party Meatballs

- 5-pound (2.25 kg) bag pre-cooked frozen meatballs
- 12-ounce (350 g) jar grape jelly
- 12-ounce (350 g) jar currant jelly
- 12-ounce (350 g) bottle chili sauce
- 12-ounce (350 g) bottle cocktail sauce

Let meatballs thaw overnight in refrigerator. Place meatballs in insert pan. In a large mixing bowl beat together jellies and sauces. Pour over meatballs. Bake at 250°F (120°C) for 2 hours or until heated through.

## Cooking Recipes (cont.)

---

### Chili

2 tablespoons (30 ml) oil  
 2 pounds (900 g) beef chuck, cut into small pieces  
 1 pound (450 g) hot Italian sausage, removed from casings  
 1 pound (450 g) sweet Italian sausage, removed from casings  
 2 large onions, chopped  
 1 large green pepper, seeded and chopped  
 1 tablespoon (15 ml) minced garlic  
 4 tablespoons (60 ml) canned, sliced jalapeno peppers (half of 4-ounce [115 g] can)  
 4 tablespoons (60 ml) chili powder  
 2 tablespoons (30 ml) ground cumin  
 1 teaspoon (5 ml) black pepper  
 2 (16-ounce [450 g]) can kidney beans  
 28-ounce (787 g) can diced tomatoes, undrained  
 12-ounce (350 g) can tomato paste  
 2 (15-ounce [425 g]) cans chicken broth

Set temperature dial to 400°F (200°C). In insert pan, heat the oil. Add the beef and sausage and cook about 20 minutes. Add the onions, pepper, garlic, and jalapeno and cook 5 minutes. Stir in remaining ingredients. Reduce temperature to 275°F (130°C). Cover and bake for 2 hours, stirring halfway though. **Makes 5 quarts (5 L).**

## Roasting Recipes

---

### Quick Roast Turkey

The roaster oven cooks a turkey in about half the time of a regular oven, but use a meat thermometer to make sure your turkey is thoroughly cooked. The roaster oven DOES NOT brown a turkey. The constant dripping of condensation from the cover of the roaster prevents the turkey from browning but also produces a turkey that is moist and juicy.

14 to 18 pound (6.3-8.1 kg) fresh or thawed turkey  
 1 onion, cut in half  
 2 stalks celery  
 1 teaspoon (5 ml) salt  
 ½ teaspoon (2.5 ml) pepper  
 ¼ cup butter (60 ml), melted

Remove the rack. Pour ½ cup (125 ml) water into the insert pan, cover and preheat to 325°F (160°C). Remove giblets and neck from cavities of turkey. Set aside and use for giblet gravy. Rinse bird inside and out with cold water. Place onion and celery inside turkey. Rub outside with salt and pepper. Place on rack. Brush whole turkey with butter. Place in roaster. Cover and cook at 325°F (160°C) for 2 to 2½ hours. Check meat thermometer reading. Continue cooking until meat thermometer registers 180°F (82°C).

### Turkey Browning Sauce

For turkey with a brown skin, use the following recipe before cooking:

¼ cup (60 ml) melted butter or margarine  
 1½ teaspoons (7.5 ml) browning sauce, like Kitchen Bouquet  
 1 teaspoon (5 ml) paprika

Wash turkey with cold water. Pat dry. Paint turkey with the browning mixture and cook as directed.



## Baking Recipes

---

### Baked Potatoes

10 pounds (4.5 kg) baking potatoes

Wash and scrub the potatoes. Pierce all the potatoes, several times. Stack in the roaster oven so that they are not touching the sides of the insert pan. Bake at 400°F (200°C) for 1 hour, or until done. Check for doneness by piercing with a fork.

### The Perfect Cheesecake

You need a springform pan for this, but cheesecakes are easy to make. The roaster oven cooks the cheesecake with gentle heat by surrounding it with water like the professionals do.

Butter

½ cup (125 ml) graham cracker crumbs

6 (8-ounce [225 g]) packages cream cheese, room temperature

1½ cups (375 ml) sugar

5 eggs

1 teaspoon (5 ml) vanilla

1 tablespoon (15 ml) lemon juice

Generously butter bottom and sides of 9½ inch (24 cm) springform pan. Sprinkle crumbs evenly over bottom of pan. In a large mixing bowl beat cream cheese until smooth. Add sugar and continue to beat until smooth. Add eggs beating well after each addition. Stir in vanilla and lemon juice. Pour into prepared springform pan. Cover springform pan with aluminum foil. (This prevents condensation in roaster from dripping onto cake.) Pour 3 quarts (3 L) hot water into insert pan. Place springform pan on rack and place in roaster. Cover and bake at 325°F (160°C) for 1½ hours. Carefully remove and let cool, then refrigerate thoroughly before serving.

**Yield: 16 to 20 servings.**

### Baked Eggs

1½ cups (375 ml) milk

3 dozen eggs

1 teaspoon (5 ml) salt

½ teaspoon (2.5 ml) pepper

¼ cup (60 ml) melted butter

In a large bowl, beat milk, eggs, salt, and pepper with mixer. Pour melted butter into 9x13-inch (23 x 33 cm) baking pan and tilt pan to coat bottom and sides. Pour egg mixture into pan. Place in roaster oven and bake eggs at 400°F (200°C) for 30 minutes, stirring and scraping sides of pan with a rubber spatula every 10 minutes to ensure even cooking. **Makes 15 servings.**

## Customer Service

If you have a question about your roaster oven, call our toll-free customer service number. Before calling, please note the model, type, and series numbers and fill in that information below. These numbers can be found on the bottom of your roaster oven. This information will help us answer your question much more quickly.

**MODEL:** \_\_\_\_\_ **TYPE:** \_\_\_\_\_ **SERIES:** \_\_\_\_\_

**This warranty applies to products purchased in the U.S. or Canada.**

### LIMITED WARRANTY

This product is warranted to be free from defects in material and workmanship for a period of one hundred eighty (180) days from the date of original purchase, except as noted below. During this period, we will repair or replace this product, at our option, at no cost. THE FOREGOING WARRANTY IS IN LIEU OF ANY OTHER WARRANTY OR CONDITION, WHETHER EXPRESS OR IMPLIED, WRITTEN OR ORAL INCLUDING, WITHOUT LIMITATION, ANY STATUTORY WARRANTY OR CONDITION OF MERCHANTABILITY OR FITNESS FOR A PARTICULAR PURPOSE. ANY LIABILITY IS EXPRESSLY LIMITED TO AN AMOUNT EQUAL TO THE PURCHASE PRICE PAID, AND ALL CLAIMS FOR SPECIAL, INCIDENTAL AND CONSEQUENTIAL DAMAGES ARE HEREBY EXCLUDED.

There is no warranty with respect to the following, which may be supplied with this product, including without limitation: glass parts, glass containers, cutter/strainers, blades, seals, gaskets, clutches, motor brushes, and/or agitators, etc. This warranty extends only to the original consumer purchaser and does not cover a defect resulting from abuse, misuse, neglect including failure to clean product regularly in accordance with manufacturer's instructions, use for commercial purposes, or any use not in conformity with the printed directions. This warranty gives you specific legal rights, and you may also have other legal rights which vary from state to state, or province to province. Some states or provinces do not allow limitations on implied warranties or special, incidental or consequential damages, so the foregoing limitations may not apply to you.

If you have a claim under this warranty, DO NOT RETURN THE APPLIANCE TO THE STORE! Please call our CUSTOMER SERVICE NUMBER. (For faster service please have model, series, and type numbers ready for operator to assist you.)

### CUSTOMER SERVICE NUMBERS

In the U.S. 1-800-851-8900

In Canada 1-800-267-2826

[proctorsilex.com](http://proctorsilex.com)

**KEEP THESE NUMBERS FOR FUTURE REFERENCE!**

## **⚠️ AVERTISSEMENT**

### **Risque d'électrocution**

- N'immergez pas cet appareil dans l'eau ou tout autre liquide.
- Cet appareil est muni d'une fiche polarisée (une lame plus large) qui réduit les risques d'électrocution. La fiche s'introduit dans la prise polarisée dans un sens seulement. Ne nuisez pas à la conception sécuritaire de la fiche en la modifiant de quelque façon que ce soit ou en utilisant un adaptateur. Placez la fiche dans l'autre sens si elle refuse de s'introduire dans la prise. S'il est encore impossible d'insérer la fiche, demandez à un électricien de remplacer la prise électrique.

## **IMPORTANTES INSTRUCTIONS**

Lors de l'utilisation d'appareils électroménagers, des précautions fondamentales de sécurité doivent toujours être observées, y compris ce qui suit :

1. Lire toutes les instructions.
2. Ne pas toucher les surfaces chaudes. Utiliser les poignées ou boutons.
3. Utiliser des gants de cuisine pour retirer le contenant intérieur ou la grille de la rôtissoire ; ou pour sortir un moule à gâteau ou des aliments cuits du contenant intérieur.
4. Pour protéger contre le risque de choc électrique, ne pas immerger la base de la rôtissoire, le cordon ou la fiche dans l'eau ou autre liquide.
5. Une bonne surveillance est nécessaire pour tout appareil utilisé par des enfants ou près d'eux.
6. Débrancher l'appareil de la prise de courant électrique lorsqu'il n'est pas utilisé et avant un nettoyage. Le laisser refroidir avant d'y placer ou d'y enlever des pièces et avant un nettoyage.
7. Ne pas faire fonctionner un appareil électroménager avec une fiche ou un cordon endommagé, ou lorsque l'appareil ne fonctionne pas bien ou a été échappé ou endommagé d'une manière quelconque. Composer notre numéro de service aux clients, sans frais d'interurbain, pour des renseignements concernant l'examen, la réparation ou l'ajustement.
8. L'utilisation d'accessoires non recommandés par le fabricant de l'appareil ménager peut causer des blessures.
9. Ne pas utiliser à l'extérieur.
10. Ne pas laisser le cordon pendre du bord d'une table ou d'un comptoir, ni toucher des surfaces chaudes, y compris la cuisinière.
11. Pour déconnecter, tourner la commande de température sur « Off », puis débrancher la fiche de la prise murale.
12. Ne pas placer l'appareil sur ou près d'un brûleur à gaz chaud, ou d'un élément électrique, ou dans un four chauffé.
13. Une grande précaution doit être prise lors de l'utilisation d'un appareil électroménager contenant de l'huile chaude ou autres liquides chauds.
14. La vapeur s'échappant de dessous le couvercle est chaude et peut causer des brûlures.
15. Ne pas utiliser sans le plat amovible conçu spécialement pour ce modèle.
16. Ne pas utiliser cet appareil pour faire fondre de la cire ou pour tout autre usage non alimentaire.
17. Veiller à ce que les matériaux inflammables tels que les rideaux, tentures, murs, armoires, dossierers, etc. ne touchent aucune partie de la rôtissoire durant son utilisation.
18. Ne pas utiliser l'appareil électroménager à une fin autre que l'utilisation prévue.

## **CONSERVEZ CES INSTRUCTIONS !**

### **Autres renseignements de sécurité aux consommateurs**

**Cette rôtissoire n'est pas destinée à un usage commercial, professionnel ou industriel. Elle est conçue uniquement pour la cuisson d'aliments. Elle ne doit pas être utilisée pour chauffer des produits non alimentaires, comme faire fondre de la cire. Cet appareil est conçu, fabriqué et destiné à l'usage ménager seulement.**

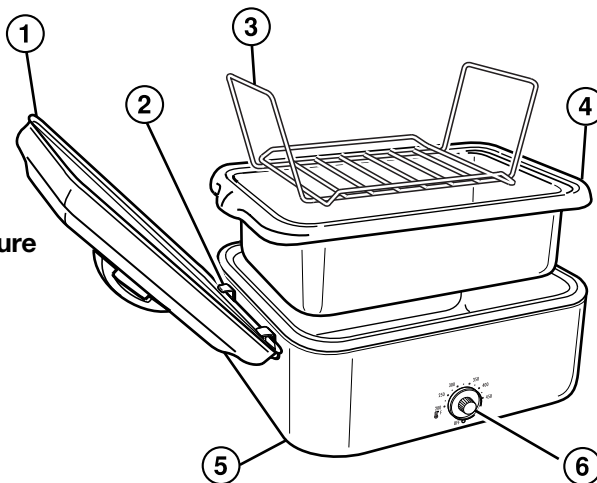
La longueur du cordon de cet appareil a été choisie de façon à ce que l'on ne risque pas de trébucher dessus. Si un cordon plus long est nécessaire, utilis-

er une rallonge appropriée. Le calibrage de la rallonge doit être le même que celui de l'appareil ou supérieur. Lorsqu'on utilise une rallonge, s'assurer qu'elle ne traverse pas la zone de travail, que des enfants ne puissent pas tirer dessus par inadvertance et qu'on ne puisse pas trébucher dessus.

# Pièces et caractéristiques

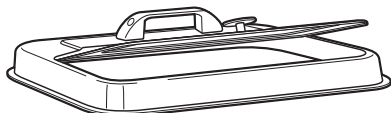
IMPORTANT : VEUILLEZ LIRE CE LIVRET ! LA RÔTISSOIRE CUIT CERTAINS ALIMENTS PLUS RAPIDEMENT QU'UN FOUR CONVENTIONNEL.

1. Couvercle
2. Supports de couvercle  
(certains modèles seulement)
3. Grille
4. Plat amovible
5. Base
6. Commande de température

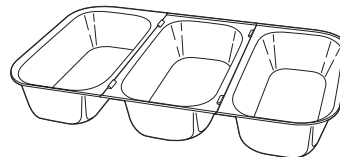


## Accessoires en option

Couvercle de buffet



Bacs de buffet



## TRANSFORMEZ VOTRE RÔTISSOIRE EN SERVEUR/RÉCHAUFFEUR DE BUFFET

### **Bacs de buffet (modèle 32508)**

- 3 bacs de service conservent les aliments chauds
- 2 quarts (2 L) de capacité chacun
- Émaillés et allant à la machine à laver la vaisselle
- Rangement compact

### **Couvercle de buffet (modèle 990023100)**

- Permet un accès facile aux aliments pour arroser ou pour servir.

Pour commander aux États-Unis : appelez le 1-800-455-7213

Pour commander au Canada : appelez le 1-800-267-2826

## Conseils à propos de la rôtissoire

**AVANT L'UTILISATION INITIALE :** Laver le plat, la grille, et le couvercle. Lors de l'utilisation initiale de la rôtissoire, on remarquera peut-être de la fumée et une odeur. On ne devrait pas percevoir de fumée ou d'odeur après le premier chauffage de la rôtissoire.

- Le plat amovible doit toujours être utilisé lors de la cuisson dans la rôtissoire (sauf quand vous utilisez les bacs de buffet). Si l'on prépare de grandes quantités de soupes ou de ragoûts, le plat amovible peut être utilisé comme plat de cuisson dans la base de la rôtissoire. Il peut également servir de grande rôtissoire dans la base.
- Ne pas utiliser le plat amovible comme plat de cuisson au four ou cocotte pour les gâteaux, pains ou mets en sauce. Un plat distinct doit être placé dans le plat amovible lors de la cuisson de ces aliments.
- Avant de faire cuire ou de rôtir dans la rôtissoire, s'assurer que le plat que vous prévoyez d'utiliser conviendra en le plaçant dans le plat amovible. La plupart des plats en verre réfractaire conviennent à la rôtissoire.
- Les plats pour la cuisson doivent être placés sur la grille pour une circulation maximale de la chaleur. Si nécessaire, la grille peut être retirée pour accommoder un grand plat ou deux plats dans la rôtissoire.
- Les sacs de rôtissage au four en papier d'aluminium peuvent être utilisés dans la rôtissoire. Nous ne recommandons pas d'utiliser des sacs plastique de rôtissage au four dans la rôtissoire.
- Ne pas enlever le couvercle de la rôtissoire inutilement. Enlever le couvercle laisse la chaleur s'échapper et affecte la température de la rôtissoire.

### *Dimensions des plats!*

**Les plats de tailles suivantes conviennent à la rôtissoire :**

- Un plat de cuisson de 9 x 13 po (23x33 cm) ou une plaque à rôtir de 10 x 14 po (26x35 cm)
- Deux moules à pain de 9 x 5 po (23x13 cm) ou 8 x 4 po (20x10 cm)
- Un moule long ou en cheminée

## Mode d'emploi

1. S'assurer que la commande de température est tournée sur OFF. Brancher le cordon dans une prise de 120 V CA.
2. Enlever la grille. Laisser le plat amovible dans la rôtissoire.
3. Régler la température tel que désiré et laisser préchauffer 15 minutes avec le couvercle mis.
4. Placer la nourriture à faire cuire dans une grille (ou directement dans le plat amovible). Placer dans la rôtissoire et remettre en place le couvercle.
5. Une fois la cuisson terminée, enlever le couvercle. Avec des gants de cuisine, sortir prudemment les aliments au moyen de la grille.
6. Tourner la commande de température sur OFF, puis débrancher la rôtissoire.

**REMARQUE :** Le plat amovible doit toujours être placé dans la rôtissoire lors de la cuisson sauf quand vous utilisez les bacs de buffet.

### **ATTENTION**

- La vapeur qui s'échappe peut causer des brûlures.
- Utilisez des gants de cuisine pour vous protéger les mains quand vous enlevez la grille, le plat amovible, les bacs ou des aliments cuits.

## Rôtissage de viandes et volailles

- Nous recommandons l'utilisation d'un thermomètre à viande pour assurer une cuisson parfaite des rôtis et de la volaille à chaque fois. Si on utilise un thermomètre à viande, la viande ou la volaille doit être retirée de la rôtissoire lorsque la température indiquée par le thermomètre est de 5 à 10° en-dessous de la température désirée. La température interne continuera de s'élever une fois la viande retirée de la rôtissoire.
- La plupart des jambons vendus de nos jours sont étiquetés « Faire cuire avant de manger » ou « Entièrement cuit ». Le jambon étiqueté « Faire cuire avant de manger » a été fumé ou salaisonné, mais n'a PAS été cuit. On doit faire cuire ce jambon entièrement jusqu'à une température interne de 155 à 160°F (68-71°C). Le jambon « Entièrement cuit » a été fumé ou salaisonné et cuit. Il n'est pas nécessaire de faire cuire ce jambon, mais porter sa température à 140°F (60°C) améliorera sa saveur.
- La rôtissoire cuit les dindes en moins de temps que les fours conventionnels. Une dinde non farcie de 14 à 18 livres (6,3-8,1 kg) cuira en environ 2½ heures. **Une dinde cuite dans une rôtissoire est humide et juteuse, mais ne brunit pas.** Si on désire une dinde brunie, utiliser la sauce à brunir pour dinde dans la section « Recettes ».
- Le Tableau de rôtissage donne les durées de cuisson pour les pièces de viande tendres habituellement rôties à sec. Ces rôtis proviennent des côtes ou de la surlonge. Pour attendrir les pièces provenant de la cuisse (jambon) ou de l'épaule/bas de palette, faire cuire dans le liquide pendant une période plus longue.
- Les durées indiquées sont approximatives et ne doivent servir qu'à titre indicatif. Les pièces de viande individuelles et les préférences personnelles peuvent nécessiter des durées de rôtissage plus longues ou plus courtes.

## Tableau de rôtissage

ALIMENT	PDS KGS	TEMP VIANDE	TEMPS DE CUISSON (18 L/160°C)	TEMPS DE CUISSON (22 L/160°C)
Dinde entière	6,3-8,1	82°C	2 à 3 heures	2 à 3 heures
Dinde entière	8,5-10,8	82°C	N/A	2 à 3 heures
Blanc de dinde	2,25-3,15	82°C	1½ heure	1½ heure
Poulet à rôtir	2,7-3,6	82°C	1 à 1½ heure	1 à 1½ heure
Rôti de bœuf	2,25-3,15	71°C (med)	2½ heures	2½ heures
Rôti de porc frais (entièrement cuit)	2,25-3,15	71°C (med)	2 heures	2 heures
Jambon pour pique-nique (entièrement cuit)	3,15-4,5	60°C	2 à 3 heures	2 à 3 heures
Jambon entier	6,75-8,1	60°C	2 à 3 heures	2 à 3 heures

**NOTE:** Les grosses dindes qui ont des poitrines très hautes ou très profondes peuvent avoir de la difficulté à tenir sous le couvercle de buffet.

## Cuisson au four

La rôtissoire peut cuire vos gâteaux, tartes, pains ou mets en sauce favoris comme un four conventionnel. Les plats doivent être placés sur la grille pour la meilleure circulation de la chaleur. L'utilisation de la grille est

aussi recommandée pour la commodité de sortir les plats chauds de la rôtissoire.

Ne pas ôter le couvercle de la rôtissoire inutilement. Ôter le couvercle laisse la chaleur s'échapper et affecte la température de la rôtissoire.

## Étuvage

Préchauffer la rôtissoire à 450°F (230°C). Pour cuire à la vapeur dans la rôtissoire, il vous faudra une passoire en acier inoxydable. Placer la grille dans le plat amovible. Placer le plat amovible dans la rôtissoire. Verser une pinte d'eau bouillante dans le plat amovible.

Placer les aliments à faire cuire à la vapeur dans la passoire et placer la passoire dans le plat amovible. Couvrir et cuire à la vapeur pendant les durées ci-dessous ou jusqu'au degré de cuisson désiré.

ALIMENT À FAIRE CUIRE À LA VAPEUR	DURÉE DE CUISSON
2 têtes de choux-fleurs coupées	10 minutes
2 branches de brocoli coupées	10 minutes
2 livres (900 g) de crevettes	10 minutes

## Réchauffage de petits pains, biscuits, etc.

Préchauffer la rôtissoire à 250°F (120°C). Vous aurez besoin de deux petits contenants allant au four pour contenir l'eau. Les boîtes de conserve vides et lavées conviennent parfaitement. Remplir les boîtes aux deux tiers d'eau chaude et les placer dans les

coins opposés du plat amovible. Empiler les petits pains, biscuits ou crêpes dans le plat amovible. Ne pas les laisser toucher les côtés du plat. Couvrir et garder au chaud pendant 1 heure.

## Cuisson en quantité

La plat amovible peut servir pour la cuisson ou le réchauffage de grandes quantités. Il peut servir pour faire mijoter les sauces, soupes ou ragoûts, ou simplement pour faire chauffer ou réchauffer de grandes quantités. Lors de la cuisson ou de réchauffage de soupes ou de ragoûts dans la rôtissoire, remuer occasionnellement pour un réchauffage plus rapide et uniforme.

Par exemple, régler la commande de température sur 400°F (205°C) et la rôtissoire réchauffera une soupe aux légumes et au boeuf d'une température réfrigérée à une température de service en environ deux heures. Pour faire cuire des soupes, ragoûts ou sauces, régler la commande de température sur 225°F (107°C) et prévoir 4 à 8 heures de mijotage selon la recette.

# Nettoyage de la rôtissoire

1. Tourner la commande de température sur OFF. Débrancher la rôtissoire de la prise et la laisser refroidir.
2. Laver le couvercle la grille et le plat amovible dans de l'eau chaude savonneuse. Pour enlever les aliments brûlés sur la surface, faire tremper, puis frotter avec un tampon de récurage en nylon. Rincer à l'eau chaude, puis sécher.
3. Essuyer l'intérieur de la base de la rôtissoire avec un linge humide.
4. Essuyer l'extérieur de la rôtissoire avec un linge humide savonneux, puis sécher.

**NOTE:** La décoloration du couvercle peut se produire si lavé dans le lave-vaisselle.

### **AVERTISSEMENT**

**Danger de secousse électrique**

- **Débranchez le courant avant de nettoyer.**
- **Ne plongez jamais le cordon, la prise ou la base dans un liquide.**

**Si vous ne suivez pas ces instructions, vous pouvez occasionner des secousses électriques et même la mort.**



# Recettes pour la rôtissoire

À moins d'indication contraire, préchauffer la rôtissoire 15 minutes à la température demandée dans la recette.

Si la recette nécessite l'utilisation d'une casserole ou d'un moule, enlever la grille de la rôtissoire. Préchauffer à la température désirée. Mettre la casserole ou le moule sur la grille, puis mettre les deux ensemble dans la rôtissoire. Cuire selon les instructions de la recette. La grille permet de mettre et de retirer plus facilement la casserole ou le moule dans la rôtissoire chaude.

**NOTE :** Pour utiliser les bacs de buffet (disponibles sur certains modèles seulement) pour servir, vous devez faire cuire toutes les recettes dans la rôtisseuse, puis les mettre dans les bacs de buffet pour les conserver au chaud et les servir.

## Recettes de cuisine

### Boulettes de viande

5 lb (2,25 kg) de boulettes de viande  
précuites surgelées  
Bocal de 12 oz (350 g)  
de gelée de raisin

Bocal de 12 oz (350 g) de gelée de  
groseilles  
Bouteille de 12 oz (350 g) de sauce  
chili  
Bouteille de 12 oz (350 g) de sauce  
cocktail

Laisser les boulettes de viande décongeler pendant la nuit au réfrigérateur. Placer les boulettes dans le plat amovible. Dans un grand bol à mélanger, battre ensemble les gelées et sauces. Les verser sur les boulettes. Cuire à 250°F pendant 2 heures ou jusqu'à ce qu'elles soient bien chauffées.

### Chili

2 c. à soupe (30 ml) d'huile  
2 lb (900 g) de bas de palette de boeuf,  
coupée en petits morceaux  
1 lb (450 g) de saucisses italiennes  
épicées, sorties des boyaux  
1 lb (450 g) de saucisses italiennes  
douces, sorties des boyaux  
2 gros oignons, hachés  
1 gros poivron vert, épépiné et haché  
4 c. à soupe (60 ml) de piment jalapeno en  
boîte, tranché (environ la moitié  
d'une bte de 4 oz [115 g])

1 c. à soupe (15 ml) d'ail émincé  
4 c. à soupe (60 ml) poudre de chili  
2 c. à soupe (30 ml) de cumin moulu  
1 c. à thé (5 ml) de poivre noir  
2 btes (16 oz [450 g]) de haricots rouges  
1 bte de 28 oz (787 g) de tomates en  
dés, non égouttées  
1 bte de 12 oz (350 g) de purée de  
tomate  
2 btes de 15 oz (425 g) de bouillon de  
poulet

Régler le cadran de la température à 400°F (205°C). Faire chauffer l'huile dans le plat amovible. Ajouter le boeuf et la saucisse et cuire environ 20 minutes. Ajouter les oignons, le poivron, le piment et l'ail, et cuire 5 minutes. Ajouter le reste des ingrédients en remuant. Réduire la température à 275°F (130°C). Couvrir et cuire pendant 2 heures, en remuant au bout d'une heure. **Donne 5 pintes (5 L).**

## Recettes de rôtissage

### Dinde rôtie rapide

La rôtissoire cuit une dinde en environ la moitié du temps d'un four ordinaire, mais utiliser un thermomètre à viande pour s'assurer que la dinde est cuite complètement. La rôtissoire NE brunit PAS la dinde. La condensation qui dégoutte constamment du couvercle de la rôtissoire empêche la dinde de brunir, mais produit une dinde humide et juteuse.

Dinde fraîche ou décongelée de 14 à 18 lb (6,3-8,1 kg)	1 c. à thé (5 ml) de sel
1 oignon, coupé en deux	½ c. à thé (2,5 ml) de poivre
2 branches de céleri	¼ de tasse (60 ml) de beurre, fondu

Sortir la grille de levage. Verser ½ tasse (125 ml) d'eau dans le plat amovible, couvrir et préchauffer à 325°F (160°C). Ôter les abattis et le cou de la cavité de la dinde. Mettre de côté pour la sauce aux abattis. Rincer l'extérieur et l'intérieur de la dinde à l'eau froide. Placer l'oignon et le céleri dans la cavité. Frotter l'extérieur avec du sel et du poivre. Placer sur la grille. Badigeonner toute la dinde avec le beurre. Placer dans la rôtissoire. Couvrir et cuire à 325°F (160°C) pendant 2 à 2½ heures. Vérifier la mesure du thermomètre à viande. Continuer la cuisson jusqu'à ce que le thermomètre indique 180°F (82°C).

### Sauce à brunir pour dinde

Pour rôtir une dinde avec une peau brune, utiliser la recette suivante avant la cuisson :

¼ de tasse (60 ml) de margarine ou beurre fondu
1½ c. à thé (7,5 ml) de sauce à brunir, comme Kitchen Bouquet
1 c. à thé (5 ml) de paprika

Laver la dinde à l'eau froide. L'assécher en tapotant. Badigeonner la dinde avec le mélange à brunir et cuire selon les instructions.

## Recettes de cuisson au four

### Pommes de terre au four

10 lb (4,5 kg) de pommes de terre au four

Laver les pommes de terre et les nettoyer à la brosse. Percer toutes les pommes de terre plusieurs fois. Les empiler dans la rôtissoire de manière à ce qu'elles ne touchent pas les côtés du plat amovible. Cuire à 400°F (205°C) pendant 1 heure, ou jusqu'à ce qu'elles soient bien cuites. Vérifier la cuisson en perçant avec une fourchette.

## Le parfait gâteau au fromage

Il vous faut un moule à charnière pour cette recette, mais les gâteaux au fromage sont faciles à préparer. La rôtissoire cuit le gâteau au fromage dans une chaleur douce en l'entourant d'eau comme le font les professionnels.

Beurre	1½ tasse (375 ml) de sucre
½ tasse (125 ml) de craquelins	5 oeufs
Graham émiettés	1 c. à thé (5 ml) de vanille
6 paq. de 8 oz (225 g) de fromage à la crème, à la température de la pièce	1 c. à soupe (15 ml) de jus de citron

Beurrer généreusement le fond et les côtés d'un moule à charnière de 9½ po (24 cm). Saupoudrer les miettes uniformément sur le fond du moule. Dans un grand bol à mélanger, battre le fromage à la crème jusqu'à obtenir une consistance homogène. Ajouter le sucre et continuer de battre jusqu'à obtenir une consistance homogène. Ajouter les oeufs, bien battre après chacun. Y mélanger la vanille et le jus de citron. Verser dans le moule à charnière préparé. Couvrir le moule à charnière de papier d'aluminium. (Ceci empêche la condensation dans la rôtissoire de dégoutter sur le gâteau). Verser 3 pintes (3 L) d'eau chaude dans le plat amovible. Placer le moule à charnière sur la grille, puis dans la rôtissoire. Couvrir et cuire à 325°F (160°C) pendant 1½ h. Sortir soigneusement et laisser refroidir, puis réfrigérer complètement avant de servir. **Donne 16 à 20 portions.**

## Œufs cuits au four

1½ tasse (375 ml) de lait	½ c. à thé (2,5 ml) de poivre
3 douzaines d'oeufs	¼ tasse (60 ml) de beurre fondu
1 c. à thé (5 ml) de sel	

Dans un grand bol, battre le lait, les oeufs, le sel et le poivre avec un batteur. Verser le beurre fondu dans un plat de cuisson de 9 x 13 po (23 x 33 cm) et le pencher pour enduire le fond et les côtés. Verser le mélange d'oeufs dans le plat. Placer dans la rôtissoire et cuire les oeufs à 400°F (205°C) pendant 30 minutes, en remuant et en grattant les côtés du plat avec une spatule en caoutchouc toutes les 10 minutes pour assurer une cuisson uniforme. **Donne 15 portions.**

## *Service aux clients*

Si vous avez une question au sujet de votre rôtissoire, composer notre numéro sans frais d'interurbain de service aux clients. Avant de faire un appel, veuillez noter le modèle, le type et les numéros de série, et fournir ces renseignements ci-dessous. Ces numéros se trouvent à la base de la rôtissoire. Ces renseignements nous aideront à répondre beaucoup plus vite à toute question.

**MODÈLE :** \_\_\_\_\_ **TYPE :** \_\_\_\_\_ **SÉRIE :** \_\_\_\_\_

**Cette garantie s'applique aux produits achetés aux É.-U. ou au Canada.**

### **GARANTIE LIMITÉE**

Ce produit est garanti contre tout vice de main-d'œuvre ou de matériau pendant une période cent quatre-vingt (180) jours à partir de la date de son achat original, à l'exception des modalités suivantes. Pendant cette période, nous réparerons ou nous remplacerons ce produit à notre choix, gratuitement. LA PRÉSENTE GARANTIE REMPLACE TOUTE AUTRE GARANTIE OU CONDITION, QU'ELLE SOIT EXPRESSE OU IMPLICITE, ÉCRITE OU ORALE, Y COMPRIS, SANS S'Y LIMITER, TOUTE GARANTIE STATUTAIRE OU DE QUALITÉ MARCHANDE OU DE CONVENANCE À UN USAGE PARTICULIER. TOUTE RESPONSABILITÉ EST EXPRESSÉMENT LIMITÉE À UN MONTANT ÉGAL AU PRIX D'ACHAT PAYÉ, ET TOUTE RÉCLAMATION POUR DOMMAGE SPÉCIAL, INCIDENT ET CONSÉQUENT EST PAR LA PRÉSENTE EXCLUE. Il n'y a pas de garantie à l'égard des articles suivants qui sont sujet à usure, qui peuvent être fournis avec ce produit, y compris, sans s'y limiter : pièces en verre, contenants en verre, couteaux/tamis, lames, joints, joints d'étanchéité, embrayages, brosses à moteur et/ou agitateurs, etc. Cette garantie ne s'étend qu'au consommateur acheteur initial et ne couvre pas une panne due à une mauvaise utilisation, un mauvais traitement, de la négligence, y compris l'absence de nettoyer le produit régulièrement conformément aux instructions du fabricant, utilisation à des fins commerciales ou tout usage non conforme aux instructions imprimées. Cette garantie vous donne des droits juridiques particuliers et vous pouvez avoir également d'autres droits juridiques qui varient selon l'État ou selon la province. Certains États ou provinces ne permettent pas de limite sur les garanties impliquées sur les dommages incidents, consécutifs ou spéciaux et par conséquent les limites ci-dessus peuvent ne pas s'appliquer à vous.

Si vous avez une réclamation sous cette garantie, **NE RENVOYEZ PAS L'APPAREIL AU MAGASIN.** Veuillez appeler LE NUMÉRO DE SERVICE À LA CLIENTÈLE (pour un service plus rapide, veuillez préparer les numéros de modèle, de série et de type pour permettre à la standardiste de vous aider).

### **NUMÉROS DU SERVICE À LA CLIENTÈLE**

Aux États-Unis 1-800-851-8900

Au Canada 1-800-267-2826

**proctorsilex.com**

**CONSERVEZ CES NUMÉROS POUR RÉFÉRENCE ULTÉRIEURE !**

## ADVERTENCIA

### Peligro de choque eléctrico

- No sumerja este aparato en agua u otro líquido.
- Este aparato cuenta con un enchufe polarizado (una pata más ancha) que reduce el riesgo de choque eléctrico. El enchufe calza únicamente en una dirección dentro del tomacorriente polarizado. No trate de obviar el propósito de seguridad del enchufe al tratar de modificarlo de alguna manera o al usar un adaptador. Si el enchufe no calza, inviértalo. Si aún así no calza, llame a un electricista para que reemplace el tomacorriente.

## SALVAGUARDIAS IMPORTANTES

Cuando use aparatos eléctricos, es importante seguir todas las precauciones de seguridad que incluyen lo siguiente:

1. Lea todas las instrucciones.
2. Verifique que el voltaje de su instalación corresponda con el del producto.
3. No toque superficies calientes. Use las manijas o las perillas.
4. Use guantes de cocina para sacar la asadera de inserción o la rejilla del horno asador; o para sacar una asadera o alimentos cocidos de la asadera de inserción.
5. Para protegerse contra el riesgo de choque eléctrico, no sumerja la base del asador, el cordón ni el enchufe en agua ni en ningún otro líquido.
6. Es necesario mantener una supervisión estricta cuando aparatos eléctricos sean usados por niños o en presencia de niños.
7. Desenchúfelo del tomacorriente cuando no lo esté usando y antes de la limpieza. Deje que se enfríe antes de colocar o sacar alguna pieza, y antes de limpiarlo.
8. No opere ningún aparato electrodoméstico si el cordón o el enchufe están averiados, después de un mal funcionamiento del aparato, o si éste se ha caído o averiado de alguna forma. Llame a nuestro número gratuito de servicio al cliente, para obtener información sobre el examen, la reparación o la regulación del aparato.
9. El uso de accesorios no recomendados por el fabricante del aparato puede causar lesiones.
10. No lo use al aire libre.
11. No deje que el cordón cuelgue sobre el borde de una mesa o de un mostrador, o que toque alguna superficie caliente, incluyendo la superficie de una cocina.
12. Para desconectar, coloque el control en la posición apagada Off/O y luego saque el enchufe del tomacorriente.
13. No coloque el aparato sobre o cerca de una fuente de gas caliente o de un quemador eléctrico, ni dentro de un horno caliente.
14. Es importante tener extremo cuidado cuando se mueva un aparato electrodoméstico que contenga aceite caliente u otros líquidos calientes.
15. El vapor que se escapa por debajo de la tapa es caliente y puede causar quemaduras.
16. No lo use sin la bandeja de inserción especialmente diseñada para este modelo.
17. No use el aparato para derretir cera ni para cualquier otra aplicación no relacionada con alimentos.
18. No permita que materiales inflamables como cortinas, colgaduras, paredes, armarios, placas posteriores y otras superficies toquen ninguna parte del horno asador mientras esté funcionando.
19. No use el aparato electrodoméstico para ningún otro fin que no sea el indicado.

## ¡GUARDE ESTAS INSTRUCCIONES!

### Otra información para la seguridad del consumidor

**No use este horno asador en aplicaciones de tipo comercial, profesional o industrial. Este horno asador ha sido diseñado solamente para cocinar alimentos. No debe usarse para calentar productos no comestibles, tales como la cera. Este aparato ha sido diseñado y construido para aplicaciones domésticas solamente y debe utilizarse con ese fin.**

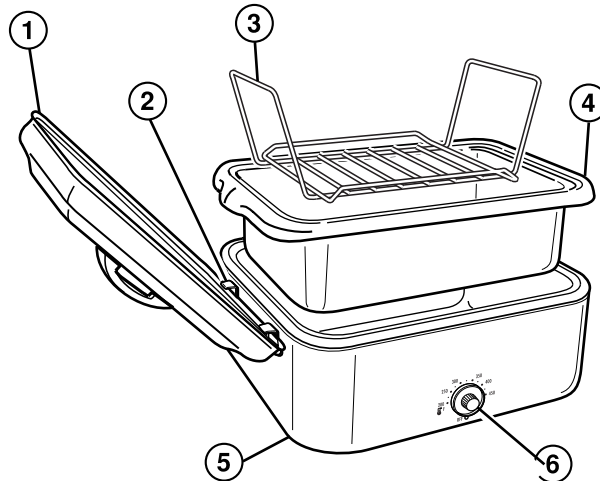
El largo del cordón que se usa en este aparato fue seleccionado para reducir el peligro de que alguien se enganche o tropiece con un cordón más largo. Si se necesita un cordón más largo, se puede usar un cordón de alargue aprobado. La calificación eléctrica

del cable de extensión debe ser igual o superior a la calificación del horno asador. Se debe tener cuidado al colocar el cable de extensión de manera que no cuelgue por encima del mesón o superficie de la mesa donde los niños lo puedan halar o se puedan tropezar accidentalmente.

# Piezas y características

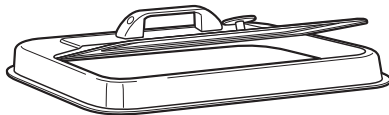
¡ES IMPORTANTE LEER ESTE MANUAL! EL HORNO ASADOR COCINA ALGUNOS PRODUCTOS CON MÁS RAPIDEZ QUE UN HORNO CONVENCIONAL.

1. Tapa
2. Sujetadores de la tapa (en modelos selectos)
3. Rejilla
4. Asadera de inserción desmontable
5. Base
6. Control de temperatura

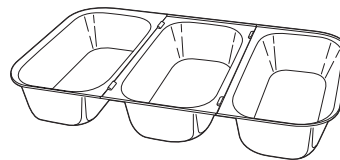


## Accesorios opcionales

Tapa para buffet



Cacerolas para buffet



## CONVIERTA EL HORNO ASADOR EN UN CALENTADOR/ SERVIDOR DE BUFFET

### **Cacerolas para buffet (modelo 32508)**

- 3 cacerolas de servir para mantener los alimentos calientes
- Capacidad de 2 cuartos (2 L) de galón cada uno
- Cubiertas con esmalte y resistentes al lavavajillas
- Almacenamiento compacto

### **Tapa para buffet (modelo 990023100)**

- Otorga fácil acceso cuando deben rociarse o servirse los alimentos

Para ordenar en EE.UU.: Llame al 1-800-455-7213  
 Para ordenar en México: Llame al 01-800-71-16-100

## Consejos para utilizar su horno asador

**Antes del primer uso:** Lave la asadera de inserción, la rejilla y la tapa antes de usar. Durante el primer uso del horno asador, es posible que se observe un poco de humo y olor. El humo y el olor no deberán ocurrir después de la primera vez que se caliente el horno.

- Antes de hornear o de asar en el horno asador, coloque la asadera o cacerola que tenga planeado usar en la asadera de inserción para asegurarse de que encaje debidamente.
- Siempre se debe usar la asadera de inserción cuando se cocine en el horno asador (excepto al usar las cacerolas para buffet). Si se cocina una gran cantidad de sopa o guisado, se puede usar la asadera de inserción como asadera común en la base del asador. También se puede usar como asadera grande común en la base del asador.
- No use la asadera de inserción como asadera común o cacerola para pasteles, panes o guisados. Cuando se cocine este tipo de comida, se deberá colocar una asadera separada en la asadera de inserción.
- La mayoría de las cacerolas de vidrio resistentes al calor encajan bien en el horno asador.
- Las asaderas comunes y cacerolas deben colocarse sobre la rejilla para permitir que el calor circule mejor. Si es necesario, se puede sacar la rejilla

para adaptar una asadera más grande o dos cacerolas en el horno asador.

- Se pueden usar bolsas de aluminio para asar en el horno asador. No recomendamos el uso de bolsas de plástico para asar en el horno asador.
- No quite la tapa del horno asador a menos que sea necesario. Si se quita la tapa, se permite que el calor escape, afectando la temperatura del horno asador.

### *¡Tamaños de las asaderas!*

**A continuación indicamos los tamaños de asaderas que encajarán en el horno asador**

- Una asadera de 9 x 13 pulgadas (23x33 cm) o una fuente de horno de 10 x 14 pulgadas (26x35 cm).
- Dos moldes para pan de 9x 5 (23x13 cm) u 8 x 4 pulgadas (20x10 cm).
- Una tortera con tubo o para Bundt.

## Cómo se usa el horno asador

1. Asegúrese de que el control de temperatura esté en la posición apagada. Enchufe el cordón en un tomacorriente de 120 voltios CA.
2. Saque la rejilla. Deje la asadera de inserción en el horno asador.
3. Fije la temperatura al nivel deseado y deje que se caliente por 15 minutos con la tapa puesta.
4. Coloque la comida que se cocinará en una asadera sobre la rejilla (o directamente en la asadera de inserción). Luego coloque la rejilla en el horno y vuelva a tapar.
5. Cuando termine de cocinar, quite la tapa. Con guantes de cocina, saque la comida usando la rejilla.

6. Coloque el control de temperatura en la posición apagada y desenchufe el horno asador.

**NOTA:** La asadera de inserción siempre debe estar colocada en la base del asador cuando se esté cocinando excepto al usar las cacerolas para buffet.

### **PRECAUCIÓN**

- El vapor que escapa puede provocar quemaduras.
- Utilice guantes de cocina para proteger sus manos cuando retire la asadera de inserción, la rejilla, la asadera común o alimentos cocidos.

## Cómo asar carnes rojas y de ave

- Recomendamos el uso de un termómetro para carne para que las carnes rojas y de ave siempre estén perfectamente cocidas. Si usa un termómetro para carne, se deberá sacar las carnes rojas o de ave del horno asador cuando el termómetro haya alcanzado una temperatura de 5 a 10 grados inferior a la temperatura deseada. La temperatura interna continuará aumentando después de haber sacado la carne del horno asador.
- La mayoría de los jamones que se venden en la actualidad, tienen una etiqueta que dice “Cocinar antes de Comer” o “Totalmente cocido”. El jamón con una etiqueta de “Cocinar antes de Comer” ha sido ahumado o curado pero NO cocido. Ese jamón se debe cocinar bien a una temperatura interna de entre 155 y 160° F (68-71° C). Los jamones “Totalmente cocidos” han sido ahumados o curados y también cocidos. El jamón no requiere más cocción, pero si se calienta a 140° F (60° F), eso mejorará su sabor.
- El horno asador cocina pavos en menos tiempo que los hornos convencionales. Un pavo sin relleno de 14 a 18 libras (6,3-8,1 kg) de peso se cocinará en aproximadamente 2 horas y media. **Un pavo cocido en el horno asador queda jugoso y no seco, pero no dorado.** Si desea un pavo con piel dorada, use la Salsa para dorar Pavos en la sección de “Recetas”.
- La Tabla de Asado indica los tiempos de cocción para cortes tiernos de carne que generalmente se asan en seco. Estos cortes son de la zona de las costillas o del lomo. Para suavizar los cortes de la nalga (jamón) o de la paleta o corte delantero, se deberán cocinar en líquido por un período más largo de tiempo.
- Los tiempos indicados son aproximados y se deben usar solamente como guía general. Los cortes individuales de carne y las preferencias personales dictarán tiempos de asado más largos o más cortos.

## Tabla de asado

ALIMENTO	PESO KGS	CARNE TERM.	TIEMPO DE COCCIÓN (18 L/160°C)	TIEMPO DE COCCIÓN (22 L/160°C)
Pavo entero	6,3-8,1	82°C	2 a 3 horas	2 a 3 horas
Pavo entero	8,5-10,8	82°C	N/A	2 a 3 horas
Pechuga de pavo	2,25-3,15	82°C	1½ horas	1½ horas
Pavo asado al horno	2,7-3,6	82°C	1 a 1½ horas	1 a 1½ horas
Carne al horno	2,25-3,15	71°C (medio)	2½ horas	2½ horas
Cerdo fresco al horno (completamente cocinado)	2,25-3,15	71°C (medio)	2 horas	2 horas
Jamón de paleta para picnic (completamente cocinado)	3,15-4,5	60°C	2 a 3 horas	2 a 3 horas
Jamón entero	6,75-8,1	60°C	2 a 3 horas	2 a 3 horas

**NOTA:** Puede resultar difícil colocar pavos grandes de cavidades pectorales altas o profundas debajo de la tapa para buffet.



## Para hornear

El horno asador puede hornear sus pasteles, panes o guisados favoritos como un horno convencional. Las asaderas y las fuentes se deben colocar sobre la rejilla para hacer circular mejor el calor. También se recomienda el uso de la rejilla por conveniencia para sacar

las fuentes y las asaderas calientes del horno asador.

No quite la tapa del horno asador a menos que sea necesario. Si quita la tapa, permite que el calor escape, afectando la temperatura del horno asador.

## Para cocinar al vapor

Caliente el horno asador a 450°F (230°C). Para cocinar al vapor en el horno asador, se necesitará un colador de acero inoxidable. Coloque la rejilla en la asadera de inserción. Coloque la asadera de inserción en el horno asador. Vierta 1 cuarto de galón (1 L) de agua hirviendo en la asadera de

inserción. Coloque la comida que desee cocinar al vapor en el colador y coloque el colador en la asadera de inserción. Cubra y cocine al vapor según los tiempos que se indican a continuación o hasta que se haya obtenido la cocción deseada.

Productos que se desea cocinar al vapor	Cantidad de tiempo
2 cabezas de coliflor, cortadas	10 minutos
2 ramilletes de brócoli, cortados	10 minutos
2 libras (900 g) de camarones	10 minutos

## Para calentar panecillos, etc.

Pre caliente el horno asador a 250°F (120°C). Necesitará dos envases refractarios pequeños para el agua. Latas de comida vaciadas y lavadas son una perfecta solución. Llène dos tercios de las latas con agua caliente y colóquelas

en esquinas opuestas de la asadera de inserción. Coloque los panecillos o panqueques apilados en el horno de inserción. No deje que toquen los costados de la asadera. Cubra y manténgalos calientes hasta por una hora.

## Para cocinar en cantidades

La asadera de inserción se puede usar como utensilio grande de cocción cuando se cocinen o se calienten cantidades grandes. Se puede usar para hervir salsas, sopas o guisados a fuego lento, o simplemente para calentar o entibiar cantidades grandes. Cuando cocine o caliente sopas o guisados en el horno asador, revuelva ocasionalmente para que se calienten en forma más uniforme y más rápida.

Por ejemplo, gradúe la temperatura a 400°F (205°C) y el horno asador calentará sopa de carne con vegetales desde la temperatura de refrigeración a la temperatura para servirla en unas dos horas. Para cocinar sopas, guisados o salsas, gradúe la temperatura a 225°F (107°C) y deje calentar a fuego lento entre 4 y 8 horas, según la receta.

## Cómo limpiar su horno asador

1. Coloque el control de temperatura en la posición apagada. Desenchufe el horno asador del tomacorriente y deje que se enfríe.
2. Limpie la tapa, la rejilla y la asadera de inserción en agua caliente y jabonosa. Para eliminar la comida quemada que se haya pegado, deje en remojo, y luego frote con una esponjilla de nilón. Enjuague en agua caliente y luego seque.
3. Lave el interior de la base del asador con un paño húmedo.

4. Limpie el exterior del horno asador con un paño húmedo y jabonoso y luego deje que se seque.

**NOTA:** Podría ocurrir decoloración de la tapa si se lava en el lavavajillas.

### ⚠ ADVERTENCIA

#### Peligro de choque eléctrico

- Desconecte el suministro eléctrico antes de limpiar.
- No sumerja el cable, el enchufe o la base en ningún líquido.

No seguir estas instrucciones podría resultar en la muerte o choque eléctrico.

## Recetas

A menos que se haya indicado lo contrario, precaliente el horno asador durante 15 minutos a la temperatura indicada en la receta.

Si la receta indica que se debe usar una asadera o fuente, saque la rejilla del horno. Precaliente el horno a la temperatura deseada. Luego coloque la asadera sobre la rejilla y luego coloque ambos en el horno asador. Hornee según las instrucciones de la receta. La rejilla hace que sea más fácil colocar o sacar las asaderas o las fuentes del horno asador caliente.

**NOTA:** Para usar las cacerolas para buffet (disponibles con modelos selectos únicamente) para servir, todas las recetas se deben preparar en el horno asador, y luego colocarse en las cacerolas para buffet para mantener caliente y servir.

### Recetas para cocinar

#### Albóndigas para fiesta

Una bolsa de 5 libras (2,25 kg) de albóndigas congeladas pre-cocidas  
Una jarra de jalea de uvas de 12 onzas (350 g)

Una jarra de jalea de pasas de Corinto de 12 onzas (350 g)  
Una botella de salsa chile de 12 onzas (350 g)  
Una botella de salsa cóctel de 12 onzas (350 g)

Deje que las albóndigas se descongelen en el refrigerador durante la noche. Coloque las albóndigas en la asadera de inserción. En un tazón grande mezcle las jaleas y las salsas juntas. Vierta sobre las albóndigas. Hornee a 250°F (120°C) por 2 horas o hasta que estén bien calentadas.

## Chile

2 cucharadas (30 ml) de aceite	1 cucharada (15 ml) de ajo picado
2 libras (900 g) de cuarto delantero de vaca, cortado en trozos pequeños	4 cucharadas (60 ml) de polvo de chile
1 libra (450 g) de salchicha italiana picante sin la piel	2 cucharadas (30 ml) de comino molido
1 libra (450 g) de salchicha italiana dulce sin la piel	1 cucharadita (5 ml) de pimienta negra
2 cebollas grandes, picadas	2 latas de frijoles en forma de riñón de 16 onzas (450 g)
1 pimiento verde grande, sin semillas y picado	1 lata de tomates cortados en cubitos de 28 onzas (787 g), con el líquido
4 cucharadas (60 ml) de pimientos jalapeños en lata, cortados en tajadas (más o menos la mitad de una lata de 4 onzas [115 g])	1 lata de pasta de tomate de 12 onzas (350 g)
	2 latas de caldo de gallina de 15 onzas (425 g)

Coloque el cuadrante de temperatura a 400°F (205°C). Caliente el aceite en la asadera de inserción. Agregue la carne y la salchicha y cocine unos 20 minutos. Agregue las cebollas, los pimientos, jalapeños, y el ajo y cocine 5 minutos. Mezcle los ingredientes restantes. Reduzca la temperatura a 275°F (130°C). Cubra y cocine por 2 horas, agitando después de la mitad del tiempo. **Se obtienen 5 cuartos de galón (5 L).**

## Recetas para asado

### Pavo asado rápido

El horno asador cocina un pavo en la mitad de tiempo que un horno común, pero use un termómetro para carne para asegurarse de que el pavo esté perfectamente cocido. El horno asador NO dora un pavo. El goteo constante de condensación de la tapa del asador evita que el pavo se dore, pero también produce un pavo jugoso.

Un pavo fresco o descongelado de 14 a 18 libras (6,3-8,1 kg)	1 cucharadita (5 ml) de sal
1 cebolla, cortada a la mitad	½ cucharadita (2,5 ml) de pimienta
2 tallos de apio	¼ taza (60 ml) de manteca, derretida

Saque la rejilla. Vierta ½ taza (125 ml) de agua en la asadera de inserción, cubra y precaliente a 325°F (160°C). Saque los menudillos y el pescuezo de las cavidades del pavo. Colóquelos a un costado y úselos para hacer salsa de menudillos. Enjuague el pavo por dentro y por fuera con agua fría. Coloque la cebolla y el apio dentro del pavo. Frote el exterior con sal y pimienta. Colóquelo sobre la rejilla. Pinte todo el pavo con mantequilla. Colóquelo en el asador. Cubra y cocine a 325°F (160°C) durante 2 o 2½ horas. Chequee la lectura del termómetro para carne. Continúe cocinando hasta que el termómetro para carne indique 180°F (82°C).

### Salsa para dorar el pavo

Para dorar la piel del pavo, use la siguiente receta antes de cocinar:

¼ taza (60 ml) de mantequilla o margarina derretida
1½ cucharada (7,5 ml) de salsa para dorar, como Kitchen Bouquet
1 cucharadita (5 ml) de paprika

Lave el pavo con agua fría. Golpetee para secarlo. Pinte el pavo con la mezcla para dorar y cocínelo según las instrucciones.

## Recetas para horno

### Papas al horno

10 libras (4,5 kg) de papas para hornear

Lave y frote las papas. Perfore todas las papas varias veces. Apílelas en el horno asador de manera que no toquen los lados de la asadera de inserción. Cocine a 400°F (205°C) por 1 hora o hasta que estén listas. Verifique que estén listas pinchando con un tenedor.

### El pastel de queso perfecto

Se necesita una asadera de fondo desmontable para esto, pero es fácil de hacer pasteles de queso. El horno asador cocina el pastel de queso con un calor delicado rodeándolo de agua como lo hacen los profesionales.

Mantequilla	1½ tazas (375 ml) de azúcar
½ taza (125 ml) de galleta integral rallada	5 huevos
6 paquetes de queso crema de 8 onzas (225 g) a temperatura ambiente	1 cucharadita (5 ml) de vainilla
	1 cucharada (15 ml) de jugo de limón

Enmantequille generosamente el fondo y los lados de la asadera de 9½ pulgadas (24 cm) con fondo desmontable. Espolvoree la galleta rallada en forma uniforme sobre el fondo de la asadera. En un tazón grande bata el queso crema hasta que quede uniforme. Agregue azúcar y continúe batiendo hasta que quede uniforme. Agregue los huevos batiendo bien después de cada adición. Revuelva la vainilla y el jugo de limón. Vierta en la asadera con fondo desmontable preparada. Cubra la asadera con papel de aluminio. (Esto evita que la condensación en el asador caiga sobre el pastel). Vierta 3 cuartos de galón (3 L) de agua caliente en la asadera de inserción. Coloque la asadera con fondo desmontable en la rejilla y póngala en el horno. Cubra y cocine a 325°F (160°C) por 1½ horas. Saque con cuidado y deje enfriar, luego refrigere bien antes de servir. Se obtienen entre 16 y 20 porciones.



Grupo HB PS, S.A. de C.V.  
 Monte Elbruz No. 124 Int. 601  
 Col. Palmitas Polanco  
 México, D.F. C.P. 11560  
 Tel. 52 82 31 05 y 52 82 31 06  
 Fax. 52 82 3167

### PÓLIZA DE GARANTÍA

PRODUCTO:	MARCA:	Hamilton Beach: <input type="checkbox"/> Proctor-Silex: <input type="checkbox"/>	MODELO:
-----------	--------	---	---------

Hamilton Beach/Proctor-Silex cuenta con una Red de Centros de Servicio Autorizada, por favor consulte en la lista anexa el nombre y dirección de los establecimientos en la República Mexicana en donde usted podrá hacer efectiva la garantía, obtener partes, componentes, consumibles y accesorios; así como también obtener servicio para productos fuera de garantía.

Para mayor información llame sin costo: **Centro de Atención al consumidor: 01 800 71 16 100**

Grupo HB PS, S.A. de C.V. le otorga a partir de la fecha de compra:  
**GARANTÍA DE 1 AÑO.**

#### COBERTURA

- Esta garantía ampara, todas las piezas y componentes del producto que resulten con defecto de fabricación incluyendo la mano de obra.
- Grupo HB PS, S.A. de C.V. se obliga a reemplazar, reparar o reponer, cualquier pieza o componente defectuoso; proporcionar la mano de obra necesaria para su diagnóstico y reparación, todo lo anterior sin costo adicional para el consumidor.
- Esta garantía incluye los gastos de transportación del producto que deriven de su cumplimiento dentro de su red de servicio.

#### LIMITACIONES

- Esta garantía no ampara el reemplazo de piezas deterioradas por uso o por desgaste normal, como son: cuchillas, vasos, jarras, filtros, etc.
- Grupo HB PS, S.A. de C.V. no se hace responsable por los accidentes producidos a consecuencia de una instalación eléctrica defectuosa, ausencia de toma de tierra, clavija de enchufe en mal estado, etc.

#### EXCEPCIONES

Esta garantía no será efectiva en los siguientes casos:

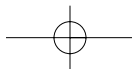
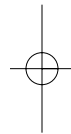
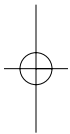
- Quando el producto se hubiese utilizado en condiciones distintas a las normales. (Uso industrial, semi-industrial o comercial.)
- Quando el producto no hubiese sido operado de acuerdo con el instructivo de uso.
- Quando el producto hubiese sido alterado o reparado por personas no autorizadas por Grupo HB PS, S.A. de C.V. el fabricante nacional, importador o comercializador responsable respectivo.

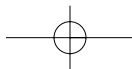
El consumidor puede solicitar que se haga efectiva la garantía ante la propia casa comercial donde adquirió su producto, siempre y cuando Grupo HB PS, S.A. de C.V. no cuente con talleres de servicio.

#### PROCEDIMIENTO PARA HACER EFECTIVA LA GARANTÍA

- Para hacer efectiva la garantía no deben exigirse mayores requisitos que la presentación del producto y la póliza correspondiente, debidamente sellada por el establecimiento que lo vendió.
- Para hacer efectiva la garantía, lleve su aparato al Centro de Servicio Autorizado más cercano a su domicilio (consulte la lista anexa).
- Si no existe Centro de Servicio Autorizado en su localidad siga las siguientes instrucciones:
  1. Empaque su producto adecuadamente para que no se dañe durante el traslado.
  2. Anote claramente sus datos y los del Centro de Servicio al que está enviando el producto.
  3. No incluya partes sueltas ni accesorios para evitar su pérdida.
- El tiempo de reparación, en ningún caso será mayor de 30 días naturales contados a partir de la fecha de recepción del producto en nuestros Centros de Servicio Autorizados.
- En caso de que el producto haya sido reparado o sometido a mantenimiento y el mismo presente deficiencias imputables al autor de la reparación o del mantenimiento dentro de los treinta días naturales posteriores a la entrega del producto al consumidor, éste tendrá derecho a que sea reparado o mantenido de nuevo sin costo alguno. Si el plazo de la garantía es superior a los treinta días naturales, se estará a dicho plazo.
- El tiempo que duren las reparaciones efectuadas al amparo de la garantía no es computable dentro del plazo de la misma. Cuando el bien haya sido reparado se iniciará la garantía respecto de las piezas repuestas y continuará con relación al resto. En el caso de reposición del bien deberá renovarse el plazo de la garantía.

DÍA ___ MES ___ AÑO ___	<p>Si desea hacer comentarios o sugerencias con respecto a nuestro servicio o tiene alguna queja derivada de la atención recibida en alguno de nuestros Centros de Servicio Autorizados, por favor dirigirse a:</p> <p><b>GERENCIA INTERNACIONAL DE SERVICIO (DIMALSA)</b>          Prof. Av. La Joya s/n. Esq. Av. San Antonio          Col. El Infiernillo C.P. 54878          Cuautitlán, Edo de México          Tel. (55) 58 99 62 42 • Fax. (55) 58 70 64 42          Centro de Atención al consumidor: 01 800 71 16 100</p>
-------------------------	---





## RED DE CENTROS DE SERVICIO AUTORIZADA GRUPO HB PS, S.A. DE C.V.

### Distrito Federal

ELECTRODOMÉSTICOS  
Av. Plutarco Elias Cailles No. 1499  
Zacahuitzco MEXICO 09490 D.F.  
Tel: 01 55 5235 2323  
Fax: 01 55 5243 1397

CASA GARCIA  
Av. Patriotismo No. 875-B  
Mixcoac MEXICO 03910 D.F.  
Tel: 01 55 5563 8723  
Fax: 01 55 5615 1856

### Nuevo Leon

FERNANDO SEPULVEDA REFACCIONES  
Ruperto Martínez No. 238 Ote.  
Centro MONTERREY, 64000 N.L.  
Tel: 01 81 8343 6700  
Fax: 01 81 8344 0486

### Jalisco

REF. ECONÓMICAS DE OCCIDENTE,  
S.A. DE C.V.  
Garibaldi No. 1450  
Ladrón de Guevara  
GUADALAJARA 44660 Jal.  
Tel: 01 33 3825 3480  
Fax: 01 33 3826 1914

### Chihuahua

DISTRIBUIDORA TURMIX  
Av. Paseo Triunfo de la Rep. No. 5289 Local 2 A.  
Int. Hipermart  
Alamos de San Lorenzo  
CD. JUAREZ 32340 Chih.  
Tel: 01 656 617 8030  
Fax: 01 656 617 8030

Modelos:	Tipo:	Características Eléctricas:		
32180	RO07	120 V~	60 Hz	1450 W
32180DI	RO07	120 V~	60 Hz	1450 W
32181	RO07	120 V~	60 Hz	1450 W
32182	RO07	120 V~	60 Hz	1450 W
32182DI	RO07	120 V~	60 Hz	1450 W
32183	RO07	120 V~	60 Hz	1450 W
32183DI	RO07	120 V~	60 Hz	1450 W
32184	RO07	120 V~	60 Hz	1450 W
32221	RO09	120 V~	60 Hz	1450 W

Los números de modelo también pueden estar seguidos del sufijo "MX".

HAMILTON BEACH ♦ PROCTOR-SILEX, INC.

263 Yadkin Road, Southern Pines, NC 28387

PROCTOR-SILEX CANADA, INC.

Picton, Ontario K0K 2T0