



Description

- Deluxe Chrome Finish
- 1/2" IPS Connections
- With Matching Sprayer
- Quality Brass Construction
- Two Handle Hot & Cold Control

Compliance

- Designed to comply with requirements of ASME A112.18.1
- Meets low lead requirements of NSF Standard- 61, Section- 9
- Complies with the requirements of the UPC (Uniform Plumbing Code)
- Complies with ADA (American With Disabilities Act)
- Meets or exceeds CSA B125
- IAPMO (International Association of Plumbing

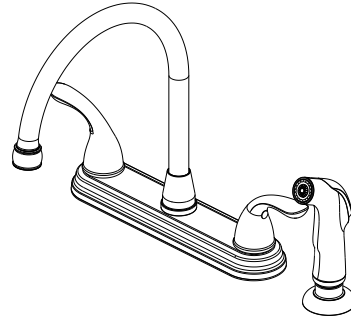
Listings

- IAPMO (International Association of Plumbing & Mechanical Officials)
- cUPC (Uniform Plumbing Code & Canadian Uniform Plumbing Code)
- AB 1953 Lead Standard

Warranty

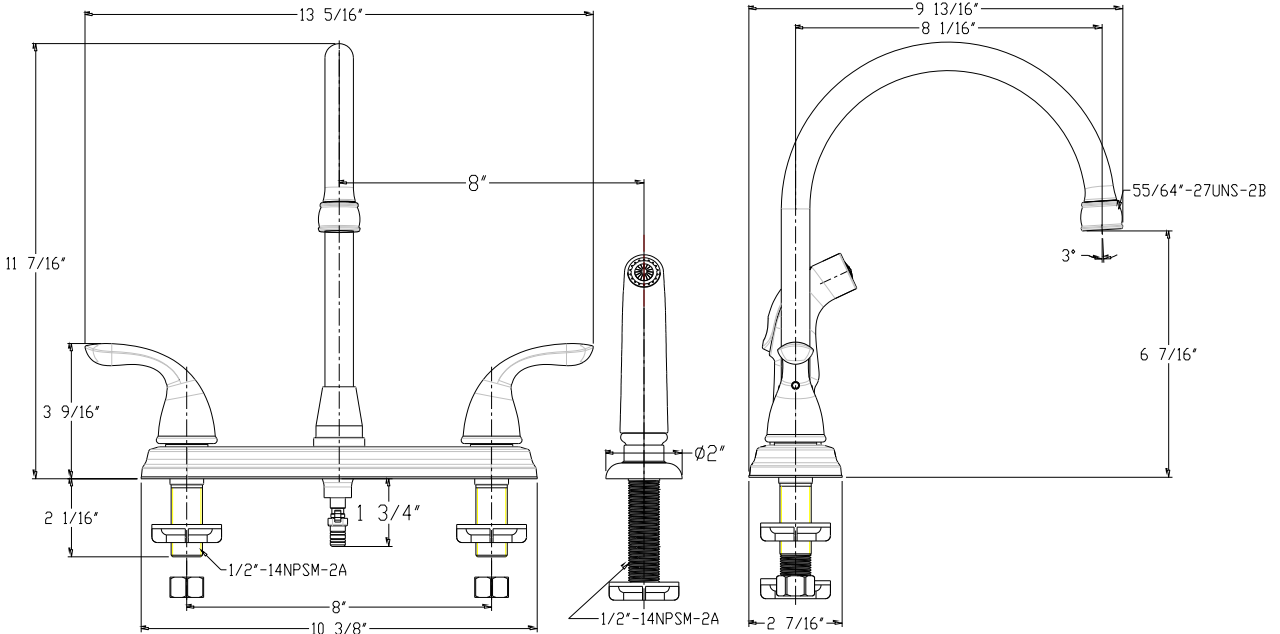
- Limited Lifetime Warranty
Refer to Premier Faucet warranty program for further details and restrictions.

Bayview™



Model 120447LF

8" Lever Metal Handle Kitchen
Faucet Ceramic Cartridge
Chrome Plated Finish
With 518N Spray
1/2" IPS Connection



For additional information contact Premier Faucet at 866-745-4010 or visit our website at www.premierfaucet.com

