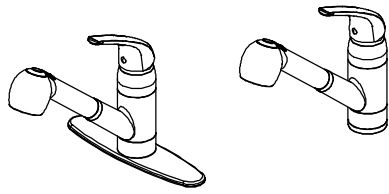


# Premier®

Brand Kitchen Faucets



Model Number: 120437LF & 120438LF

## INSTALLATION

### Tools:

Adjustable wrench



Pipe tape



Pipe wrench



Groove joint pliers



Basin wrench



screwdriver



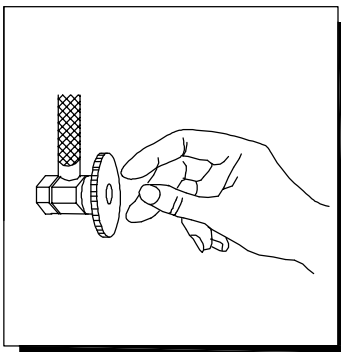
Plumber's putty



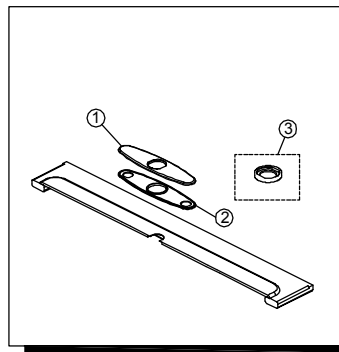
### Cleaning:

To maintain and protect the fine luster of all products. Clean with a soft damp cloth only. DO NOT USE detergents or cleanser as they may harm the protective finish.

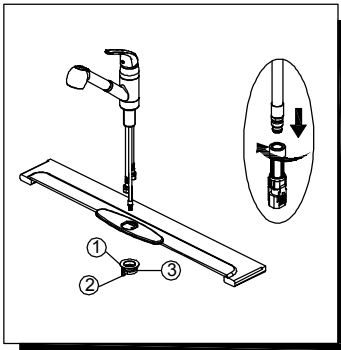
## INSTALLATION STEPS: Single handle kitchen faucet



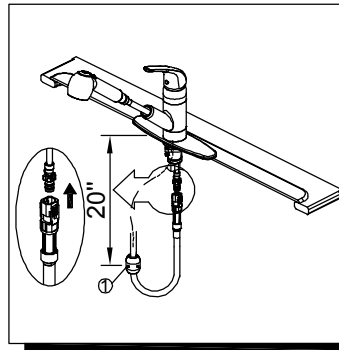
1. Shut off water supply at angle stop. Remove old faucet. Clean sink surface in preparation for new faucet.



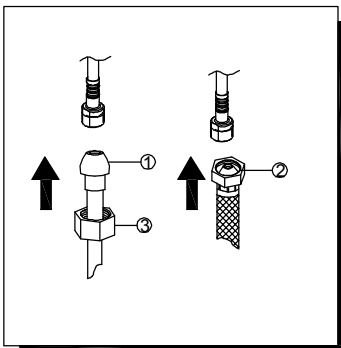
2. Install cover plate (optional)  
Remove old faucet, Clean sink surface. Place base plate (2) and cover plate (1) on the sink. If you do not use cover plate, please use flange (3) to replace cover plate and base plate.



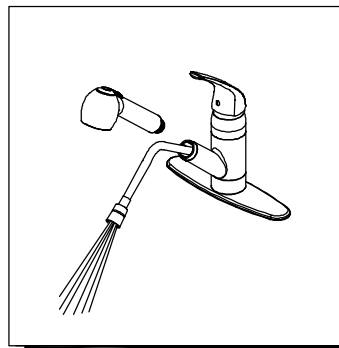
3. Remove quick connect from the end of spray hose. Place new faucet through holes in top of sink. From underside, assemble S.S. washer (1) and mounting nut (2) onto shank and tighten mounting nut. Firmly tighten the locking screws (3) to S.S. washer. Do not overtighten.



4. Connect sprayer hose  
Screw quick connector to the free end of spray hose.  
Align block and tabs on quick connect. Push quick connect housing firmly upward and snap onto receiving block. Pull down moderately to ensure connection has been made. If it is necessary to remove quick connect, squeeze tabs on hose between index finger and thumb, then pull down to disconnect. Locate the weights (1) twenty inch (20") from the underside of the sink deck.

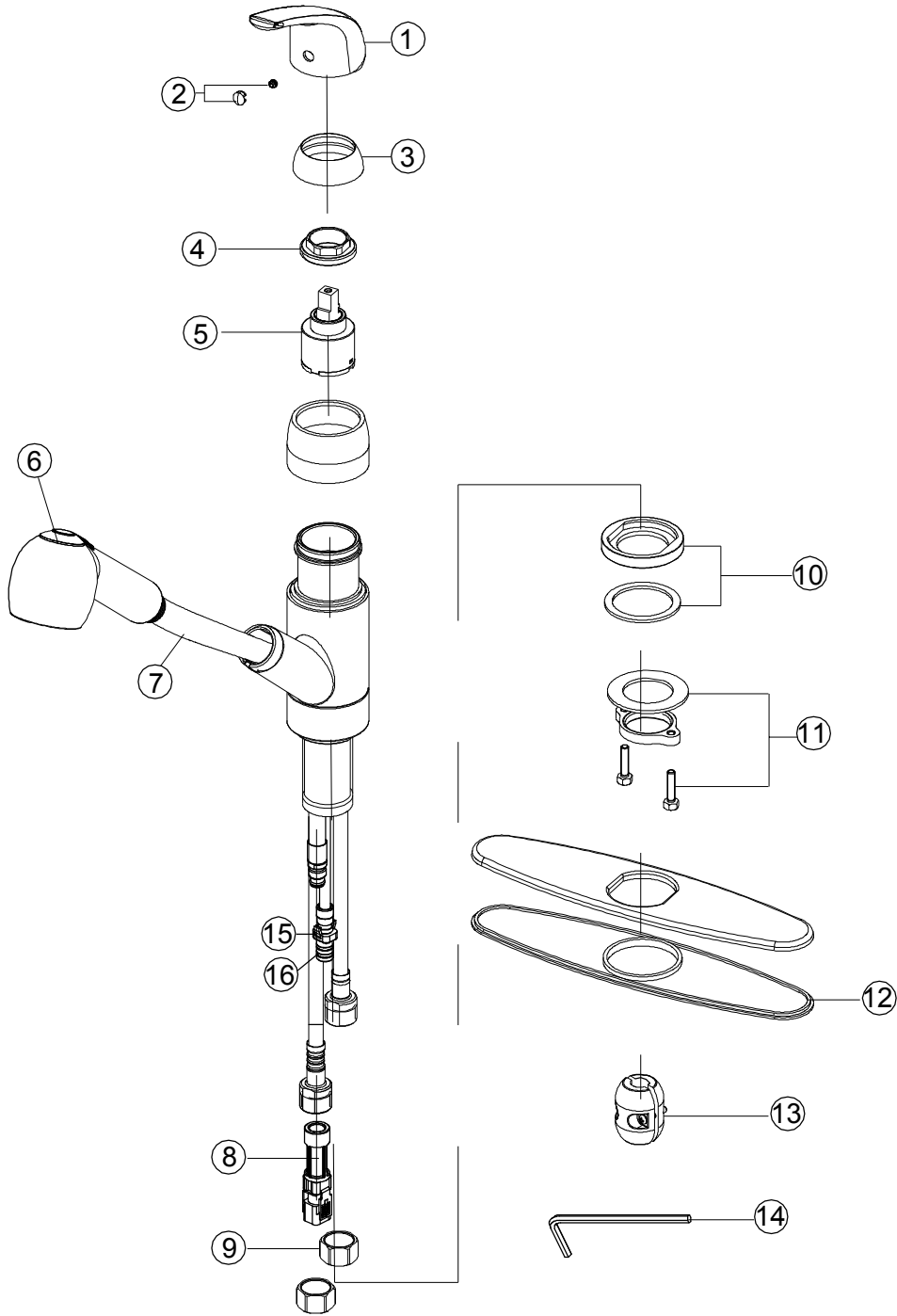


5. Connect to water supplies (HOOK-UPS NOT PROVIDED)  
Note: Refer to local plumbing codes for permissible types of water supply connectors.



6. Faucet Operation and Inspection  
Turn on hot and cold water supplies. Pull the hose assembly out of the spout and remove the spray head. Be sure to hold the end of the hose down into the sink and turn faucet handle to the mixed position. Flush water lines for one minute. Check for leaks. Retighten if necessary, but do not overtighten. Reinstall the spray head tight.

Parts List



MODEL NO. 120437LF			
NO.	PART DESCRIPTION	PART NO.	QTY.
1	Handle Assembly	994175	1
2	Handle Screw & Index Plug	994197	1
3	Bonnet Cap	994712	1
4	Bonnet Nut	994714	1
5	Ceramic Cartridge	994658	1
6	Pull Out Sprayer	994284	1
7	Spray Hose	188	1
8	Quick Connect	189	1
9	Coupling Nuts	4CP308	2
10	Lower Escutcheon Kit	994716	1
11	Mounting Kit	994670	1
12	3 Hole Deck Plate Kit	994717	1
13	Hose Weight	994573	1
14	Handle Wrench	994666	1
15	Block	129	1
16	O-ring	130	2

MODEL NO. 120438LF			
NO.	PART DESCRIPTION	PART NO.	QTY.
1	Handle Assembly	994163	1
2	Handle Screw & Index Plug	994197	1
3	Bonnet Cap	994713	1
4	Bonnet Nut	994714	1
5	Ceramic Cartridge	994658	1
6	Pull Out Sprayer	994285	1
7	Spray Hose	188	1
8	Hose Gasket	189	1
9	Coupling Nuts	4CP308	2
10	Lower Escutcheon Kit	994720	1
11	Mounting Kit	994670	1
12	3 Hole Deck Plate Kit	190	1
13	Hose Weight	994573	1
14	Handle Wrench	994666	1
15	Block	129	1
16	O-ring	130	2