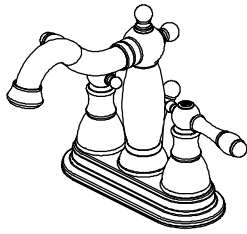


# Premier®

Brand Lavatory Faucets



## INSTALLATION

### Tools:

Adjustable wrench



Pipe tape



Pipe wrench



Groove joint pliers



Basin wrench



screwdriver



Plumber's putty

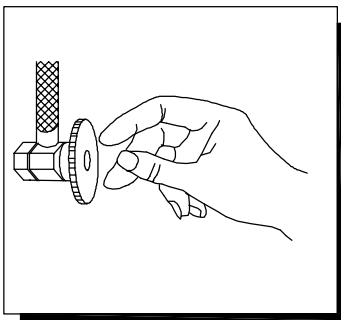


### Cleaning:

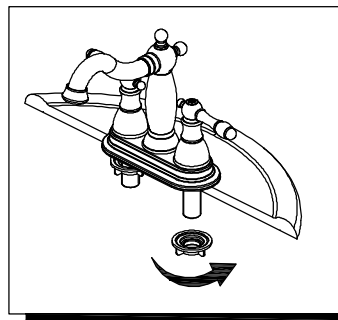
To maintain and protect the fine luster of all products. Clean with a soft damp cloth only. DO NOT USE detergents or cleanser as they may harm the protective finish.

Model Number: 120335LF & 120336LF

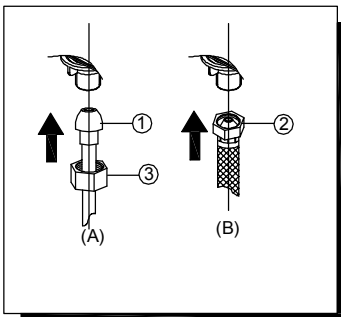
## INSTALLATION STEPS: Two handles lavatory faucet



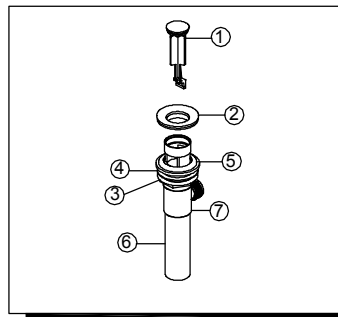
1. Shut off water supply at angle stop. Remove old faucet. Clean sink surface in preparation for new faucet.



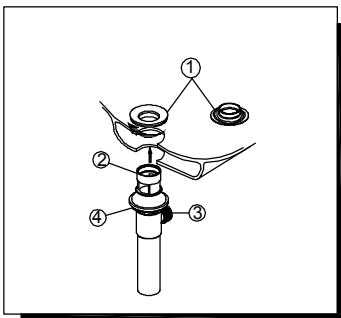
2. Place new faucet in position on sink. From under sink, thread mounting nuts onto faucet. Tighten mounting nuts.



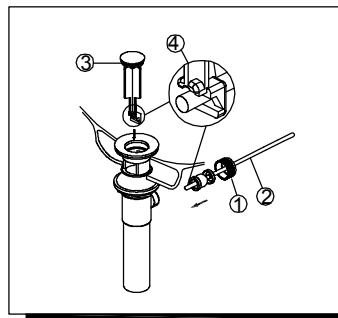
3. Make Connections to water lines:  
Choose hook-ups for 1/2" I.P.S. connections:  
(1) Ball nose riser (3/8" O.D. copper tubing),  
or (2) 1/2" I.P.S. faucet connector  
Use coupling nuts (3) with the ball nose risers (1). Use wrenches when tightening. Do not overtighten.



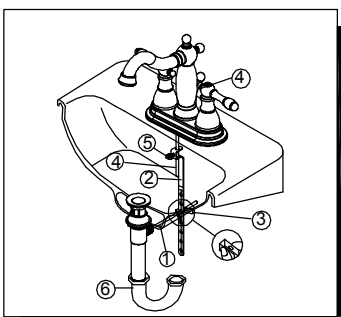
4. Remove stopper (1) and flange (2). Screw nut (3) all the way down. Push washer (4) and gasket (5) down. Remove tailpiece (6) from body (7), add Teflon tape, replace tailpiece.



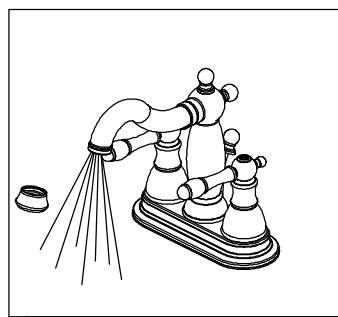
5. Apply a small bead of Plumber's putty to underside of flange (1). Insert body (2) into sink. Screw flange (1) into body (2). Pivot (3) must face faucet. Pull assembly down firmly and hold in place. DO NOT TWIST. Tighten nut, washer & gasket (4), clean off excess Plumber's putty.



6. Remove pivot nut (1). Install horizontal rod (2) and stopper (3) as removable (4). Hand tighten pivot nut (1).

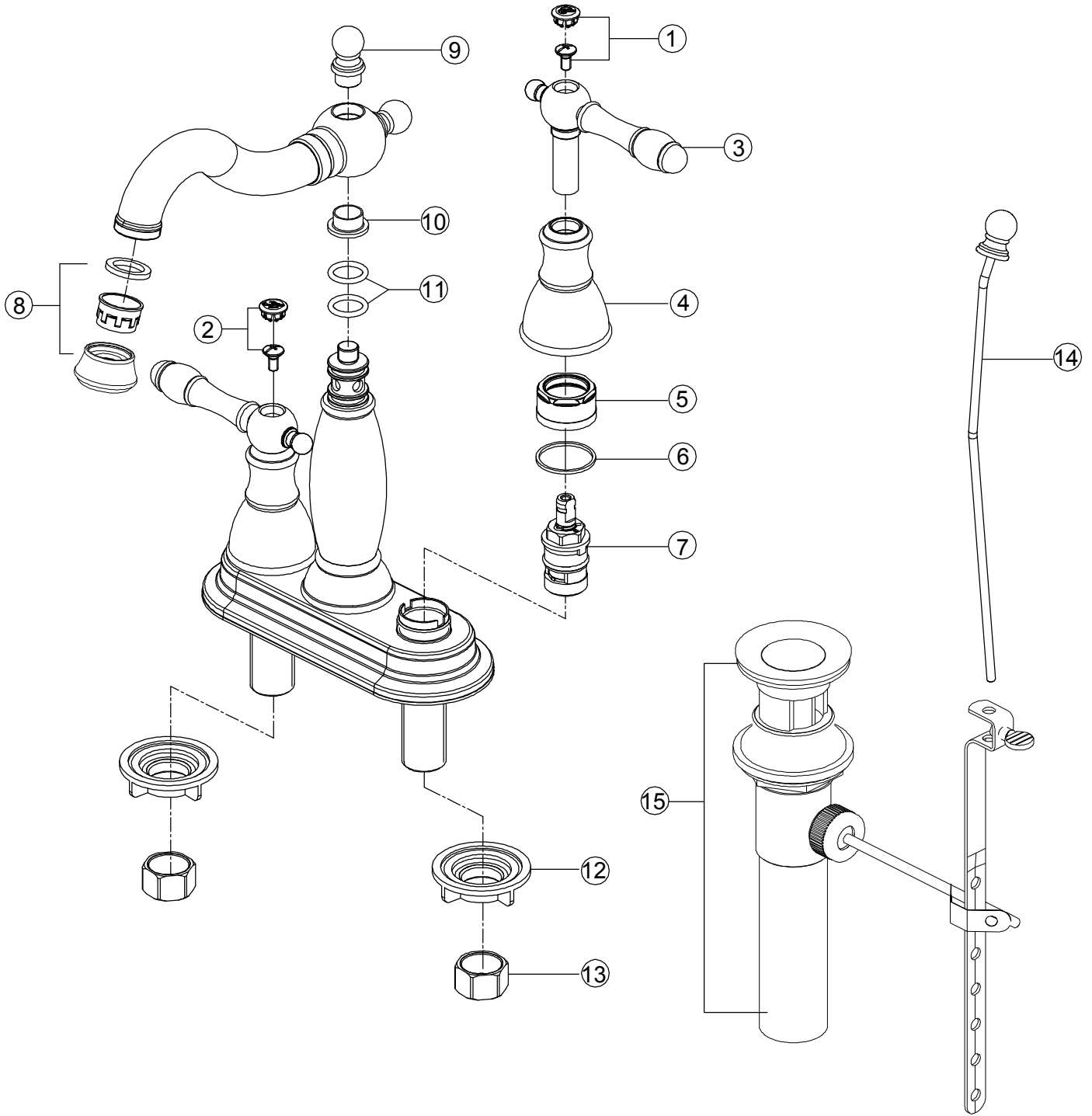


7. Attach horizontal rod (1) to strap (2) using clip (3). Insert lift rod (4) into strap and tighten screw (5). Connect assembly to drain (6).



8. Important: After installation is completed, remove aerator. Turn on water supply and allow both hot and cold water to run for at least one minute each. While water is running, check for leaks. Replace aerator.

Parts List



MODEL NO. 120335LF			
NO.	PART DESCRIPTION	PART NO.	QTY.
1	Handle Screw & Screw Cap (C)	33	1
2	Handle Screw & Screw Cap (H)	34	1
3	Handle Assembly	167	1
4	Handle Seats	40	1
5	Bonnet Nuts	173	1
6	Washers	177	1
7	Cartridge(H)	3	1
	Cartridge(C)	4	1
8	Aerator	168	1
9	Accessorize Head	43	1
10	Washer	44	1
11	O-Rings	45	2
12	Mounting Nuts	46	2
13	Coupling Nuts	4CP308	2
14	Lift Rod&Lift Knob	47	1
15	Brass Pop-Up	124020	1

MODEL NO. 120336LF			
NO.	PART DESCRIPTION	PART NO.	QTY.
1	Handle Screw & Screw Cap (C)	35	1
2	Handle Screw & Screw Cap (H)	36	1
3	Handle Assembly	171	1
4	Handle Seats	49	1
5	Bonnet Nuts	173	1
6	Washers	177	1
7	Cartridge(H)	3	1
	Cartridge(C)	4	1
8	Aerator	170	1
9	Accessorize Head	50	1
10	Washer	44	1
11	O-Rings	45	2
12	Mounting Nuts	46	2
13	Coupling Nuts	4CP308	2
14	Lift Rod&Lift Knob	51	1
15	Brass Pop-Up	124011	1